

Installation

Bradley Multi-Station Wall Sink

S96-085 (6951A-2) 2 station

S96-083 (6951A-3) 3 station

S96-080 (6951A-4) 4 station

S96-051 (6951A-5) 5 station

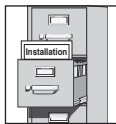
Table of Contents

Supplies Required for Installation	2
Wall Sink Components	2
2-&3-Station Wall Sink Rough-Ins	3
4-&5-Station Wall Sink Rough-Ins	4
Installation Instructions	5
Cleaning Stainless Steel	6

*FAUCETS BY OTHERS



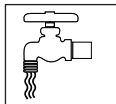
IMPORTANT!



Read this entire installation manual to ensure proper installation. When finished with the installation, file this manual with the owner or maintenance department. Compliance and conformity to local codes and ordinances is the responsibility of the installer.



Separate parts from packaging and make sure all parts are accounted for before discarding packaging material. If any parts are missing, do not begin installation until you obtain the missing parts.



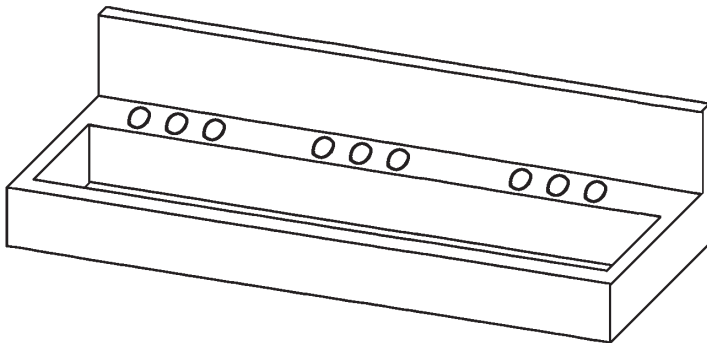
Make sure that all water supply lines have been flushed and then completely turned off before beginning installation. Debris in supply lines can cause valves to malfunction.



Product warranties may be found under "Products" on our web site at bradleycorp.com.

Supplies recommended for installation:

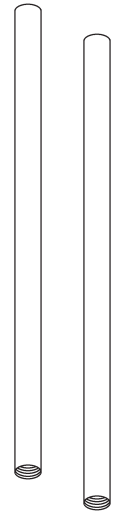
- 1-1/4" anchors and bolts to secure sink to wall
- Wall reinforcement (if required)
- Trap and drain pipe to 1-1/2" O.D. tailpiece
- Supply pipe to faucets (if required)
- OPTIONAL: 1/4" anchors and bolts to secure footing to floor



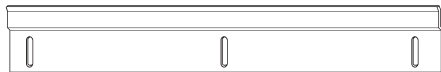
WALL SINK
 2-STATION (S39-375)
 3-STATION (S39-374) (shown above)
 4-STATION (S39-373)
 5-STATION (S39-151)



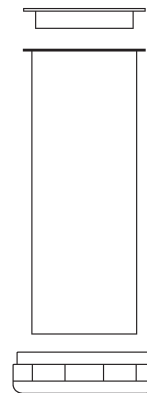
1/4"-20 x 3/8"
 SOCKET-HEAD
 SETSCREW
 (160-246)



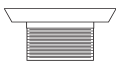
LEG (PIPE)
 (113-744)



SUPPORT BRACKET
 (140-112)
 2- and 3-STATION (qty. 2)
 4-STATION (qty. 3)
 5-STATION (qty. 4)



TAILPIECE
 (S29-083)



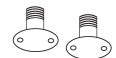
DRAIN SPUD
 (112-028)



WASHER
 (142-063)



OVAL-HEAD
 SCREW
 (160-042)



ADJUSTABLE
 FOOTING
 (S36-020)

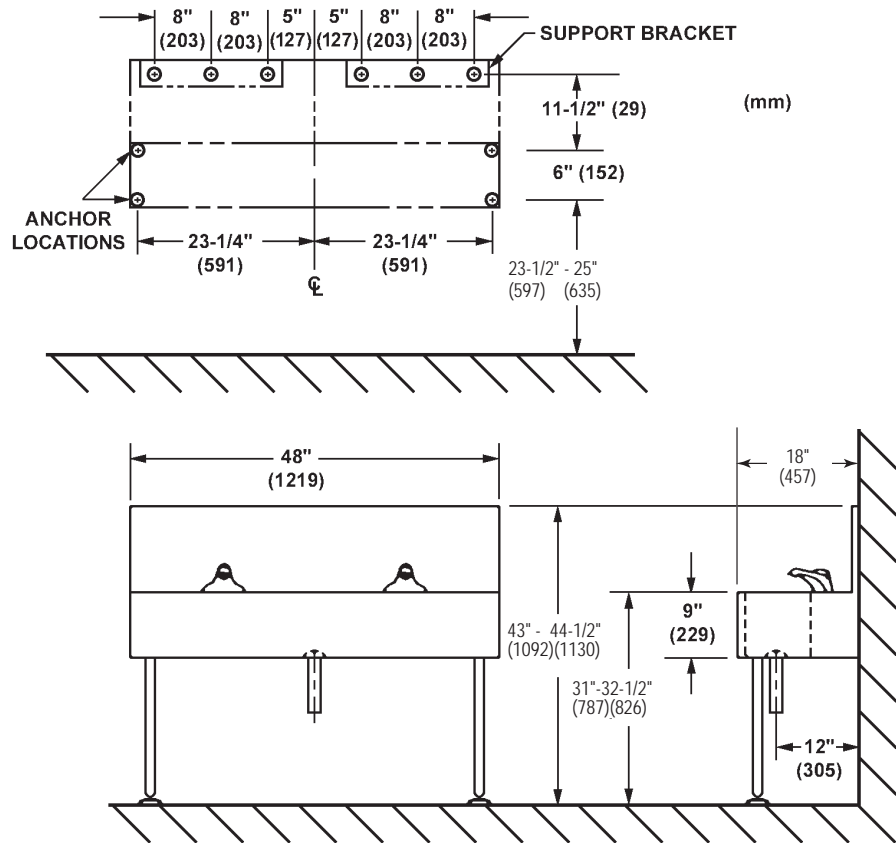


LOCKNUT
 (161-148)

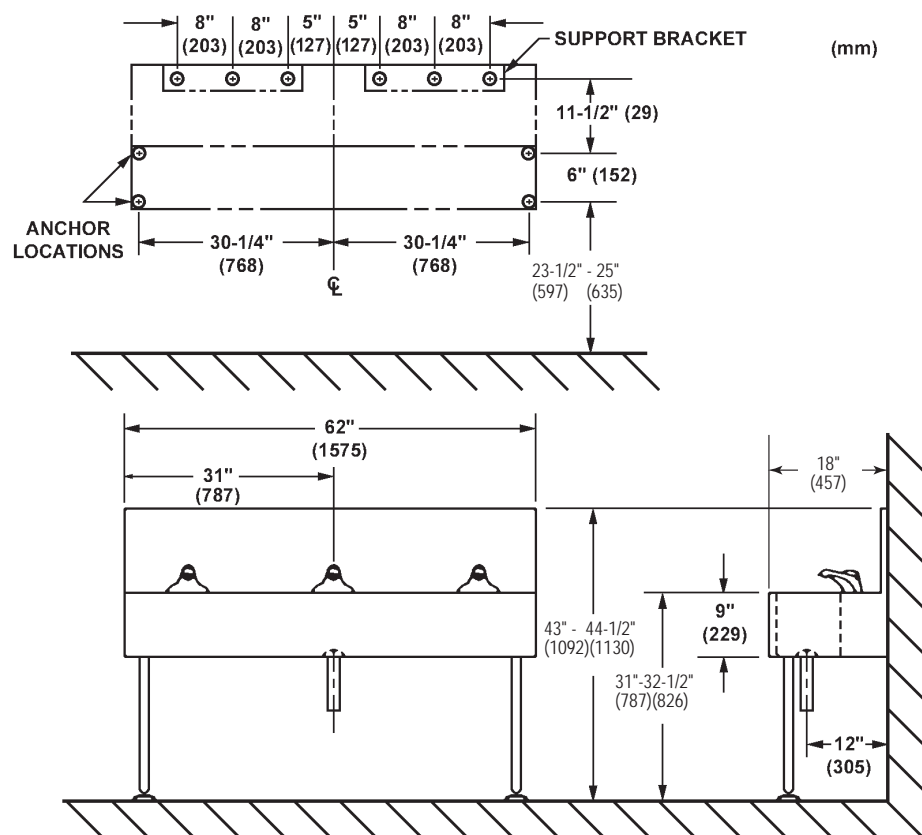


STRAINER
 (173-002)

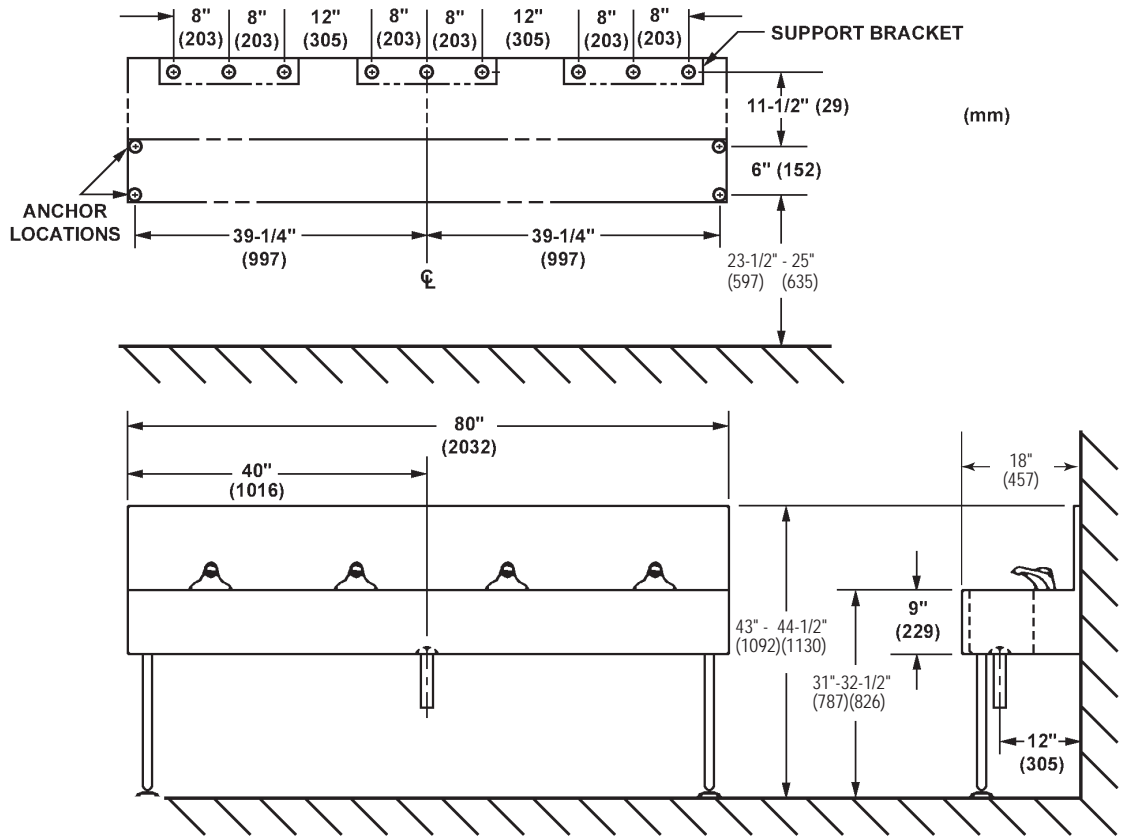
2-Station Wall Sink Dimensions



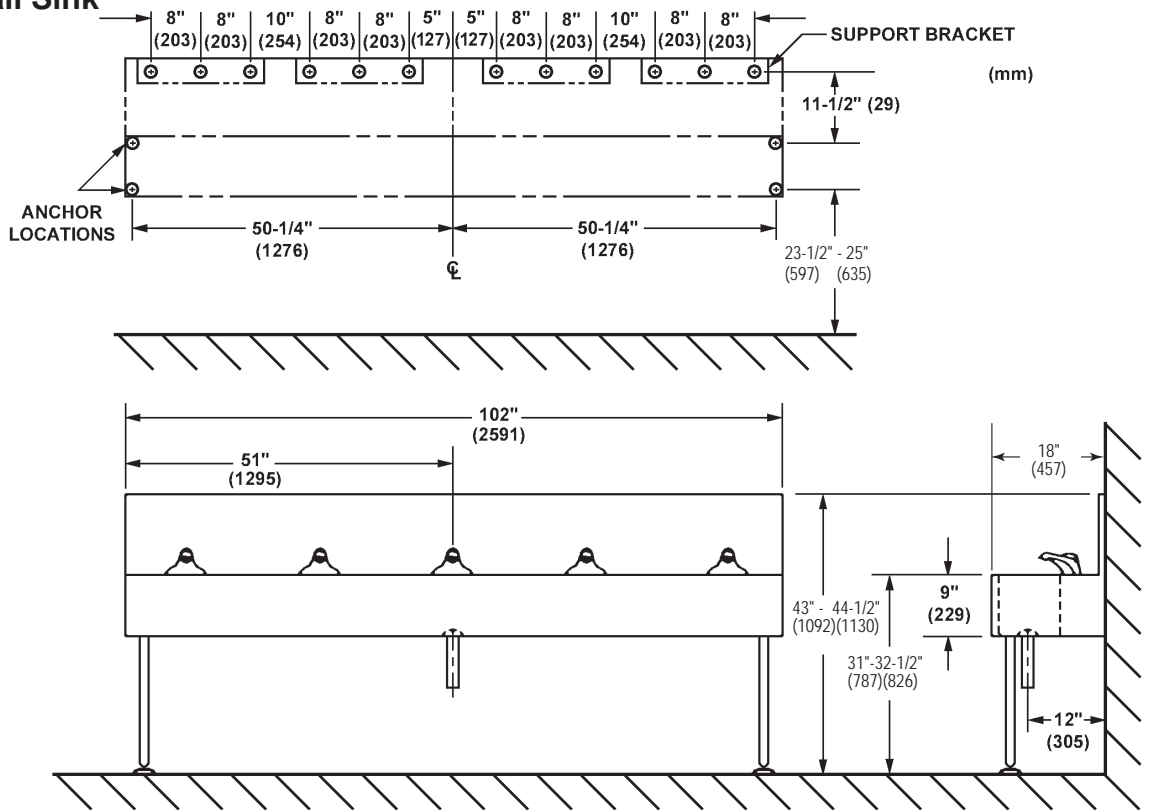
3-Station Wall Sink Dimensions



4-Station Wall Sink Dimensions



5-Station Wall Sink Dimensions

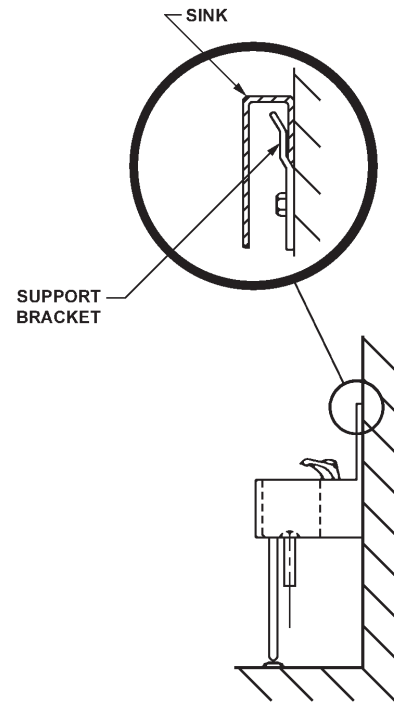


1 Mount sink to wall



Use a carpenter's level to make sure that all of the brackets are level with the floor and with each other before securing them to the wall. An improperly installed bracket will lead to an improperly installed sink that is not level.

1. Install suitable wall anchors for 1/4" bolts at the dimensions shown in the rough-in drawings (anchors and bolts supplied by installer).
 - 2- and 3-station sinks require 10 wall anchors and bolts.
 - 4-station sink requires 12 wall anchors and bolts.
 - 5-station sink requires 16 wall anchors and bolts.
2. Mount the support brackets to the wall anchors with 1/4" bolts (supplied by installer).
 - 2- and 3-station sinks require two brackets and six bolts.
 - 4-station sink requires three brackets and nine bolts.
 - 5-station sink requires four brackets and 12 bolts.
3. Hang the wall sink onto the support brackets.



2 Assemble Drain

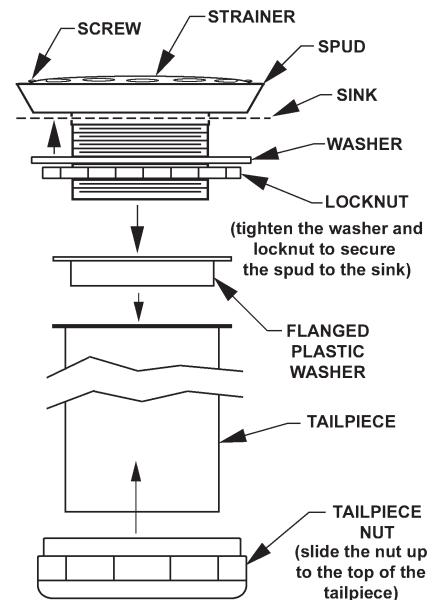


Make the connection to the pipe (supplied by the installer) AFTER the sink legs have been installed.

1. Insert the drain spud into the hole in the wall sink and secure the spud to the sink with the washer and locknut provided as shown.
2. Attach the strainer to the drain spud and secure with the two screws provided as shown.
3. Insert the flanged plastic washer into the top of the tailpiece. Slide the tailpiece nut up to the top of the tailpiece and screw the nut into the spud to secure the tailpiece to the sink.

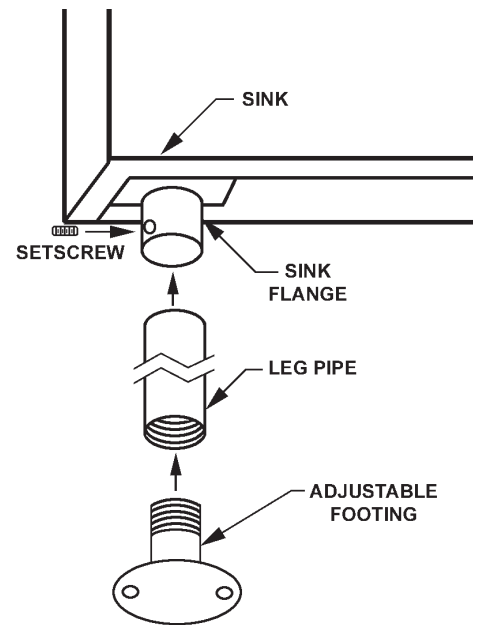


To avoid leakage, use plumber's putty to caulk the drain spud.



3 Attach Legs and Footings

1. Screw the adjustable footings into the bottom of the legs.
2. Insert the legs into the flanges located at the underside of the sink. Secure the legs to the sink with the setscrews provided.
3. Adjust the foot pads on the bottom of the legs to level the unit and provide proper drainage.



4 Complete Installation

1. Secure the sink to the wall with four 1/4" bolts (supplied by installer) through the wall anchors installed in Procedure #1.
2. OPTIONAL FAUCETS: Make the proper supply connections to the faucets as outlined in the faucet manufacturer's installation manual (pipe supplied by installer).
3. Make the drain connection to the 1-1/2" O.D. tailpiece on the sink (pipe supplied by installer).

Cleaning Stainless Steel



Cleanliness is of utmost importance. Do not permit salty solutions to evaporate and dry on stainless steel. Never use ordinary steel wool or steel brushes on stainless steel. Always use stainless steel wool or stainless steel brushes.

1. Remove ordinary deposits of dirt and grease with soap and water. Whenever possible, the metal should be thoroughly rinsed and dried after washing.
2. Use stainless steel polishing powder to get rid of tightly adhering deposits.
3. Look for the source of the rust in some iron or steel not actually a part of the stainless steel structure. Sometimes the appearance of rust streaks on stainless steel leads to the belief that the stainless steel is rusting. A steel nail or screw may be the cause of the trouble.
4. If the sprayhead delivers an uneven spray, remove the sprayhead from the unit, disassemble, and remove foreign matter. Reassemble sprayhead and reinstall into unit.