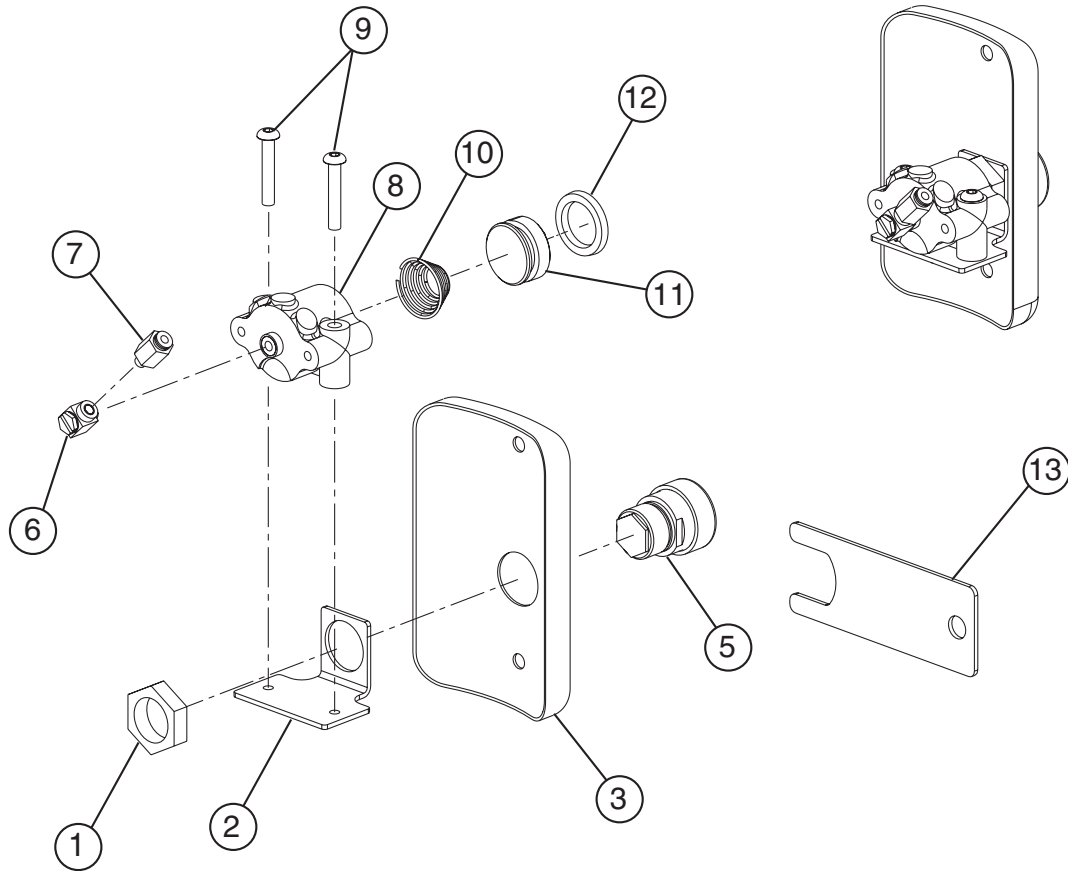


### Pushbutton Air Valve Repair Parts For Column Showers



### Parts List

Item	Part No.	Description	Pushbutton Assembly S45-1934A 2-5 Person	Pushbutton Assembly S45-1934B 6 Person	Repair Kit S65-223
			Qty		
1	110-115	Hex Nut 1/2 NPSM	1	1	
2	140-743	Actuator Bracket	1	1	
3	150-174	Escutcheon	1		
4	150-177	Escutcheon		1	
5	S08-324	Pushbutton Assembly	1	1	
6	269-1186	Fitting — Adj. "L"	1	1	1
7	169-890	1/8 Tube Connector	1	1	1
8	118-279	Molded Actuator Body	1	1	1
9	160-165	Screw	2	2	2
10	135-065	Spring	1	1	1
11	119-227	Molded Piston	1	1	1
12	125-099	U-Cup	1	1	1
13	130-023	Wrench			1
	S45-125	Lubricant			1

**NOTE:** Lubricate "U" cup (Item 12) on plunger with lubricant (S45-125). Apply thin coat all around I.D. - 1" deep. Do not use spray silicone or petroleum based lubricants on components.