



A WATTS Brand

6563

Soap Dispenser

- Tank Type Vertical
- Surface-Mounted
- ADA Compliant

**Bradex®**

## Product Materials

**BODY:** 20 gauge stainless steel with exposed surfaces in architectural satin finish.

**BACK:** 20 gauge stainless steel; heliarc welded to the body.

**WALL PLATE:** stainless steel.

**SOAP VALVE:** black ABS plastic mechanism.

## Capacity

40-oz. liquid soap.

## Operation

Push-in valve dispenses measured amount of vegetable or coconut oil liquid soaps, synthetic detergents, and antiseptic solutions with less than 5 lbs. of force. Sight gauge indicates refill time. Locked filler top opens with special key provided.

- Bradley liquid soap valves operate best with any vegetable oil or coconut oil hand soap having a 10–15% soap concentration.

## Installation

Verify all rough-in dimensions prior to installation. Secure separate mounting bracket to wall. Slide dispenser into place and secure locking screw through filler hole.

## Guide Specification

Surface-mounted liquid soap dispenser shall be fabricated of 20 gauge satin finish stainless steel. Dispenser shall have completely concealed mounting, vandal-resistant filler hole cover and sight gauge. Push-in corrosion-resistant liquid soap valve. Capacity: 40-oz. liquid soap. Requires less than 5 lbs. of force to dispense soap.

**Overall dimensions: 4-13/16"W x 8-3/16"H x 2-7/8"D.**

## Service Kit

Soap Valve - P15-449



## ADA Compliant

- Consult local and national accessibility codes for proper installation guidelines.
- Conformity and compliance to local and national codes is the responsibility of the installer.

Orders composed of products indicated as **Bradex®** will be available to ship in three days after receipt of order at the factory. There is no pricing penalty for this service from Bradley.

Page 1 of 2

1/31/2024

This information is subject to change without notice.

Bradley\_SoapDispenser\_6563

© 2024 Bradley  
P.O. Box 309, Menomonee Falls, WI 53052-0309  
800 BRADLEY (800 272 3539) +1 262 251 6000  
bradleycorp.com

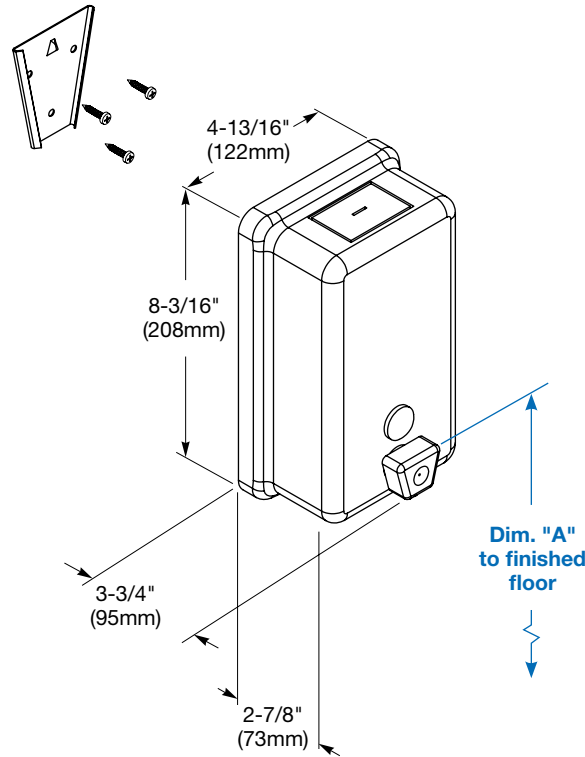


A WATTS Brand

6563

Soap Dispenser

**Dimensions**



<b>Dim. "A" Key Surface:</b>	For Dim. "A"	Top of Unit	Bottom of Unit
Push button top to finished floor	40" (1016mm)	46¼" (1175mm)	38" (965mm)
	38" (965mm)	44¼" (1124mm)	36" (914mm)
	36" (914mm)	42¼" (1073mm)	34" (864mm)
	34" (864mm)	40¼" (1022mm)	32" (813mm)
<b>Rough wall opening:</b>			
Surface Mount:	No rough wall opening, see overall dimensions		

Orders composed of products indicated as **Bradex**® will be available to ship in three days after receipt of order at the factory. There is no pricing penalty for this service from Bradley.