



A WATTS Brand

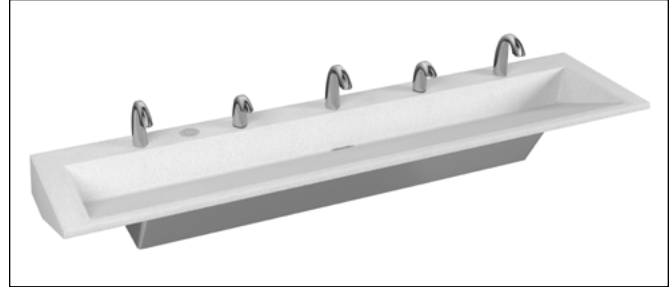
LVRD3 Verge® Wash Basin – LVR-Series

Key Features

- ADA and TAS compliant
- Serves one to three users at a time
- Standard lavatory spacing on 30" centers
- Elongated basin is constructed of Evero® natural quartz surface
- Available in a variety of colors
- Compatible with Verge™ deck-mounted soap dispensers and faucets

Specifications

Accommodates one to three users. The units handle washroom traffic quickly and economically, while providing each user with personal space. The Verge® Wash Basin is designed with standard lavatory spacing positioned on 30" centers.



Product Compliance

Listed by IAPMO R&T to

- Uniform Plumbing Code (UPC)
- National Plumbing Code of Canada
- International Plumbing Code (IPC)
- IGC 156 and the requirements of CSA B45.5/IAPMO Z124 and ASME A112.18.1/CSA B125.1



Complies with

- ADA
- ICC/ANSI 117.1
- TAS
- NSF/ANSI 372



Listed by UL Environment to

- GreenGuard Gold



Sustainability

- Evero Classic participates in the mindful MATERIALS library



Serves the American Disabilities Act and ICC/ANSI 117.1 guidelines, citations 306, 308, 309.4, 606.4, 606.5 when installed according to these requirements. Consult local codes and standards.

This plumbing fixture is designed for hand washing only. It is not intended to dispense water for human consumption through drinking or for preparation of food or beverages.

Finishes

Click on any color swatch to view as a larger image.

- Polished Chrome
- Brushed Black Stainless*
- Brushed Stainless*
- Brushed Bronze*
- Brushed Brass*
- Brushed Nickel*

*PVD Finishes, see PVD Finishes section.

* PVD Finishes

Physical Vapor Deposition is an intricate, environmentally friendly finishing process that molecularly bonds the finish to the faucet, creating a very hard, durable surface that will not corrode, discolor, or tarnish.

Compatible Bradley Products

[Verge Deck-Mounted Soap Dispensers and Faucets](#)

For more information on Evero Natural Quartz Surface, faucets, valves, transformers, and the soap dispensers, please visit bradleycorp.com.

Protected by one or more of the following U.S. Patents: D625,792 S; D633,992 S; and D642,664 S.



LVRD3 Verge® Wash Basin – LVR-Series

Construction

Basin

Evero Classic – Geo Series is a polished natural quartz surface made from a blend of bio-based resin, natural quartz, granite, and other exotic minerals.

Evero Classic – Pearl Series is a polished natural quartz surface made of bio-based resin, sea shells, and natural quartz.



Variations in the natural stone color, pattern, size, shape, and shade are inherent. Due to these unique characteristics, please expect subtle shade variations when units are installed adjacent to each other.

Access Panel

Panel is composed of decorative 300 series stainless steel.

Support Frame

Basin assembly and access panel are secured to a heavy-gauge stainless steel support frame mounted to wall.

Vandal Resistance

Water supplies, valves, waste assembly, and other optional items are concealed within the access panel/frame.

Faucet Options

Choose from our 0.35 gpm (1.30 Lpm) or 0.50 gpm (1.90 Lpm) Verge Faucet – Crestt, Metro, Linea, and Zen Series. 4" Centerset and Centershank faucet hole drillings are available for faucets by others. Optional 4" centerset trim plates are available for additional vandal resistance.

Soap Dispensers

Choose from our Verge Deck-Mounted Soap Dispensers – Crestt, Metro, Linea, or Zen Series. Soap drillings available for soap by others.

Accessibility

Accessibility Code	Rim Height (maximum)	Notes
ADA	33½" (851)	At least one basin must meet dimensional requirements and have proper reach, knee, and toe clearance.
ADA/JUV Juvenile ADA	30½" (775)	At least one basin must meet dimensional requirements and have proper reach, knee, and toe clearance.



A WATTS Brand

LVRD3 Verge® Wash Basin – LVR-Series

Models (Must select one)			
Model	Description		
LVRD3	Verge Wash Basin – LVRD-Series, Three-Station		
Standard Selections (Must select one from each category)			
Material Type (select one)			
EC	Evero Classic – Polished Finish		
Color of Evero® Bowl (select one)			
NOTE: Click on any swatch to view as a larger image.			
Evero Classic - Geo Series			
ANDORRA <input type="checkbox"/>	Andorra	MOJAVE <input type="checkbox"/>	Mojave
ANTARCTICA <input type="checkbox"/>	Antarctica	MYKONOS <input type="checkbox"/>	Mykonos
ARUBA <input type="checkbox"/>	Aruba	PATAGONIA <input type="checkbox"/>	Patagonia
BLACK-SEA <input type="checkbox"/>	Black Sea	RAINIER <input type="checkbox"/>	Rainier
DENALI <input type="checkbox"/>	Denali	SIENA <input type="checkbox"/>	Siena
GLACIER <input type="checkbox"/>	Glacier Bay	SIERRA <input type="checkbox"/>	Sierra Madre
KALAHARI <input type="checkbox"/>	Kalahari	YUKON <input type="checkbox"/>	Yukon
Evero Classic - Pearl Series (available at an additional charge)			
AKOYA <input type="checkbox"/>	Akoya	BLACK-MOON <input type="checkbox"/>	Black Moon
Faucet Type (select one)			
S53-3100	Verge Faucet – Crestt Series		
S53-3300	Verge Faucet – Metro Series		
S53-3500	Verge Faucet – Linea Series		
S53-3700	Verge Faucet – Zen Series		
S53-3100-P	Verge Faucet – Crestt Series, Includes Trim Plate ⁶		
S53-3300-P	Verge Faucet – Metro Series, Includes Trim Plate ⁶		
S53-3500-P	Verge Faucet – Linea Series, Includes Trim Plate ⁶		
S53-3700-P	Verge Faucet – Zen Series, Includes Trim Plate ⁶		
4" Set	4" Centerset (1 1/4" Drilling Only)		
SHANK	Centershank (1 1/4" Drilling Only)		
NFD	No Faucet Drilling		
Faucet Activation Type (select one)			
R	Touch-Free Activation ¹		
NONE	No Activation ²		
Water Supply Type (select one)			
T	Thermostatic Mixing Assembly (supply hoses and shut-offs included)		
L	Single Tempered Line Assembly (supply hoses and shut-offs included)		
Flow Control Type ¹ (select one)			
3	0.35 gpm (1.30 Lpm) Silicone Tip, Multiple Individual Laminar Flow Streams		
5	0.50 gpm (1.90 Lpm) Silicone Tip, Multiple Individual Laminar Flow Streams		

¹ Available with Verge faucet selection only.
² Available with faucet drilling only.
³ AC power supply will include either individual AC plug-in adapter or 4-way AC splitter assembly depending on configuration. Refer to the Verge Soap and Faucet Power Supply chart on page 2 for to learn what power supply the configurator will pull in.
⁴ Available with Verge soap dispenser selection only.
⁵ Available with soap dispenser drilling only.
⁶ Trim plate finish will match Faucet Finish for PC, BB & BS. All other faucet finishes will receive a PC trim plate.

Faucet Finish Type ¹ (select one)	
PC	<input type="checkbox"/> Polished Chrome
BB	<input type="checkbox"/> Brushed Black Stainless
BS	<input type="checkbox"/> Brushed Stainless
BZ	<input type="checkbox"/> Brushed Bronze
BR	<input type="checkbox"/> Brushed Brass
BN	<input type="checkbox"/> Brushed Nickel
NOTE: Grid strainer will always have a stainless steel finish.	
Faucet Power Supply (select one)	
AC	AC Power ^{1 3}
BA	Battery ¹ – 4x AA alkaline batteries included per faucet
NONE	No Power Supply ²
Soap Dispenser Type (select one)	
6-3100	Verge Deck-Mounted Soap Dispenser – Crestt Series ¹
6-3300	Verge Deck-Mounted Soap Dispenser – Metro Series ¹
6-3500	Verge Deck-Mounted Soap Dispenser – Linea Series ¹
6-3700	Verge Deck-Mounted Soap Dispenser – Zen Series ¹
SDO	1-3/8" Soap Drilling Only
NSD	No Soap Dispenser/No Drilling
Soap Activation Type (select one)	
R	Touch-Free Activation ⁴
NONE	No Activation ⁵
Soap Type (select one)	
F	Foam Soap
L	Liquid Soap
Soap Fill System ⁴ (select one)	
T	Single (top fill at spout)
M	Multi-Feed (shared tank, includes 6-SOAP-MFT Multi-Feed Soap Tank Assembly)
Soap Dispenser Finish Type ⁴ (select one)	
PC	<input type="checkbox"/> Polished Chrome
BB	<input type="checkbox"/> Brushed Black Stainless
BS	<input type="checkbox"/> Brushed Stainless
BZ	<input type="checkbox"/> Brushed Bronze
BR	<input type="checkbox"/> Brushed Brass
BN	<input type="checkbox"/> Brushed Nickel
Soap Power Supply (select one)	
AC	AC Power ^{3 4}
BA	Battery – 4x D-cell batteries included per dispenser ⁴
NONE	No Power Supply ⁵
Access Panel Type (select one)	
STAIN	Stainless Steel
Waste Assembly Type (select one)	
S-POLY	Single Polypropylene P-Trap
S-CHROME	Single Chrome-Plated P-Trap

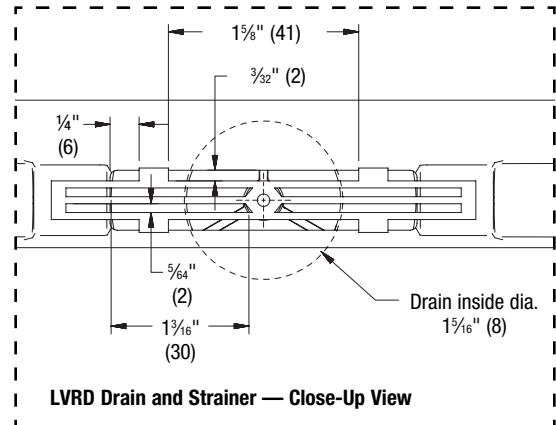
© 2024 Bradley



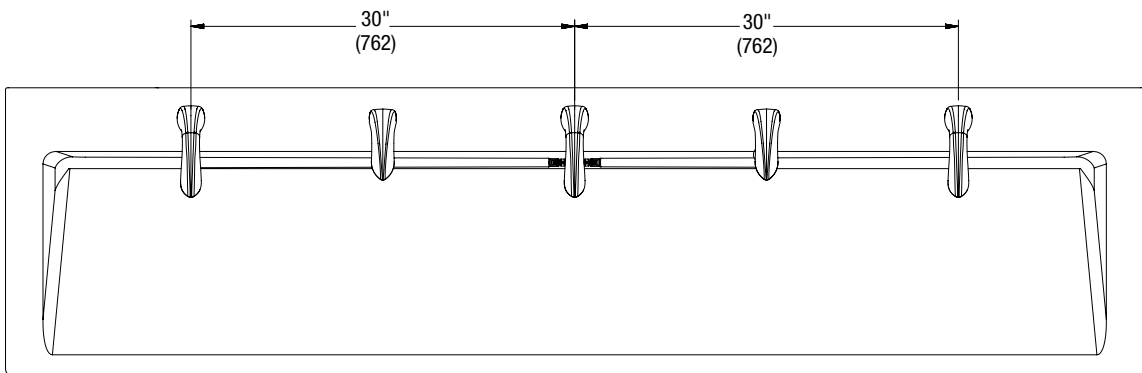
LVRD3 Verge® Wash Basin – LVR-Series

Dimensions for LVRD3 Verge Wash Basin

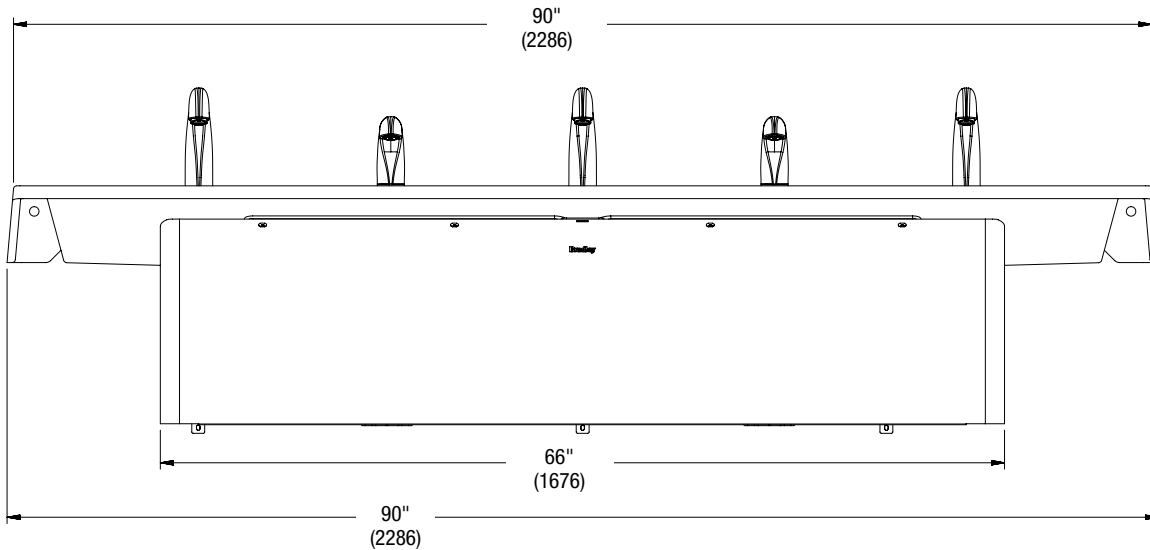
(mm)



Top View



Front View

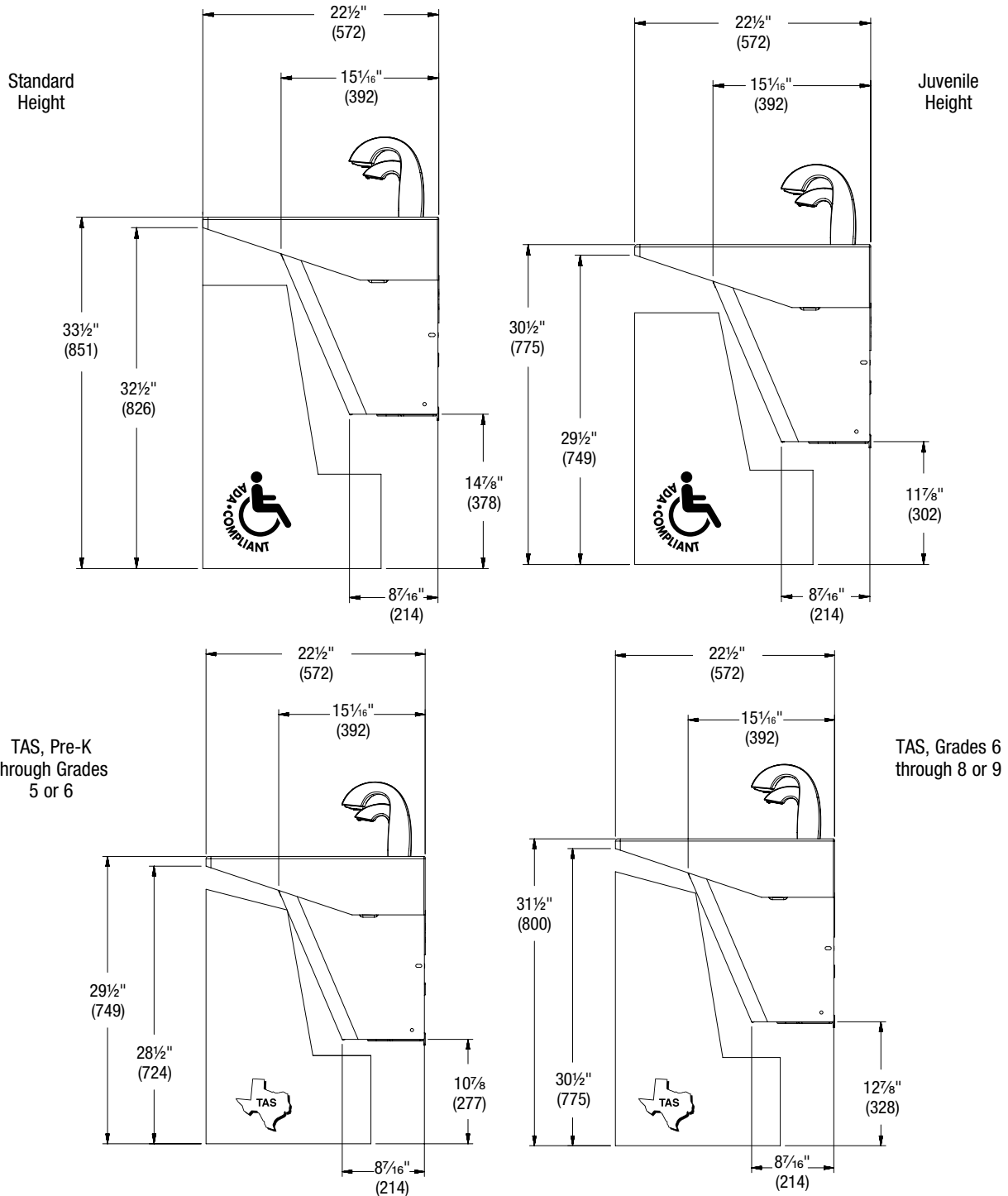




LVRD3 Verge® Wash Basin – LVR-Series

Dimensions for LVRD3 Verge Wash Basin

(mm)





A WATTS Brand

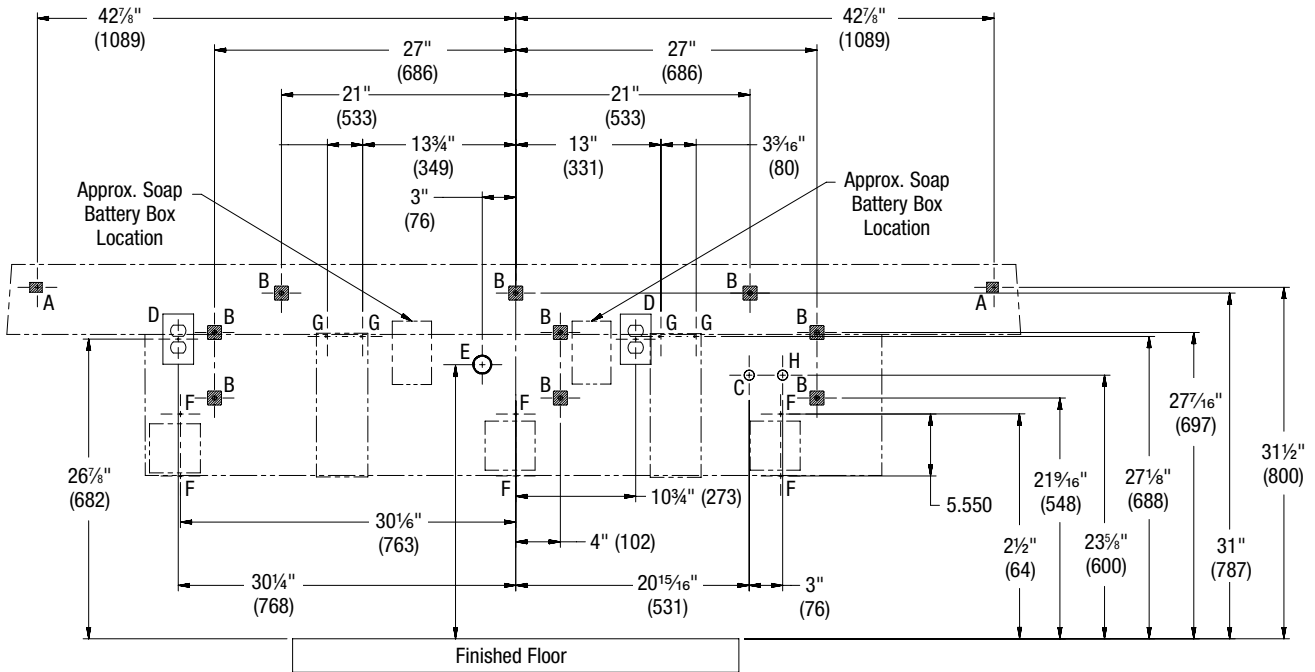
LVRD3 Verge® Wash Basin – LVR-Series

Rough-Ins for LVRD3 Verge Wash Basin

(mm)

Standard rough-in shown.

Areas marked with a crosshatch require sufficient backing compliant with local building codes.



CODE	DESCRIPTION	QTY.
A	3/8" Lav Deck Bowl Anchors with a Minimum Pull-Out Force of 1,000 lb (reinforce walls at anchor points)	2
B	3/8" Lav Deck Frame Anchors with a Minimum Pull-Out Force of 1,000 lb (reinforce walls at anchor points)	9
H, C	1/2" Hot/Cold Supplies, Stub-Out 2" From Wall	1
D	110V GFI Protected Electrical Outlet (AC faucet and soap only)	3
E	1 1/2" NPT Drain, Stub-Out 2" from Wall	1
F	#10 Anchors for Faucet Control Box Installation	6
G	#10 Anchors for Soap Tank Installation	4

RIM HEIGHT	VERTICAL HEIGHT ADJUSTMENTS FOR CODES A-E and H	FIXTURE STYLE
33 1/2"	None	Standard Height
31 1/2"	Subtract 2"	TAS, Grades 6 through 8 or 9
29 1/2"	Subtract 4"	TAS, Pre-K through Grades 5 or 6
30 1/2"	Subtract 3"	Juvenile Height