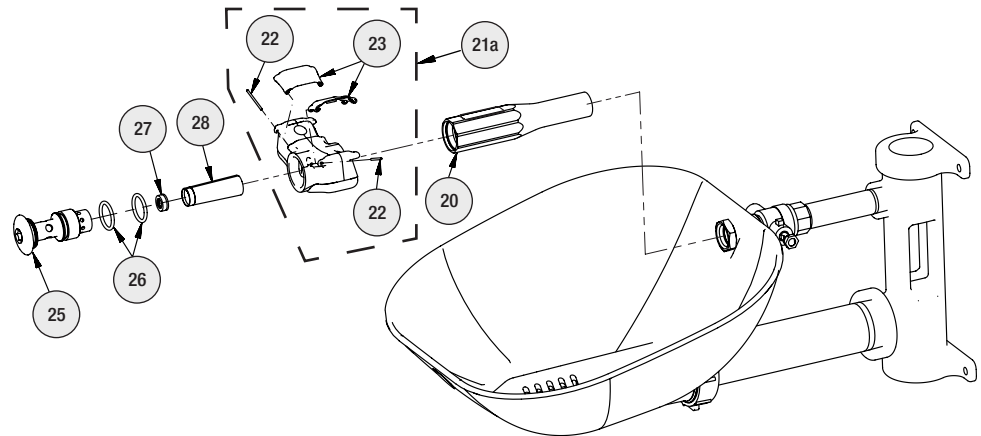


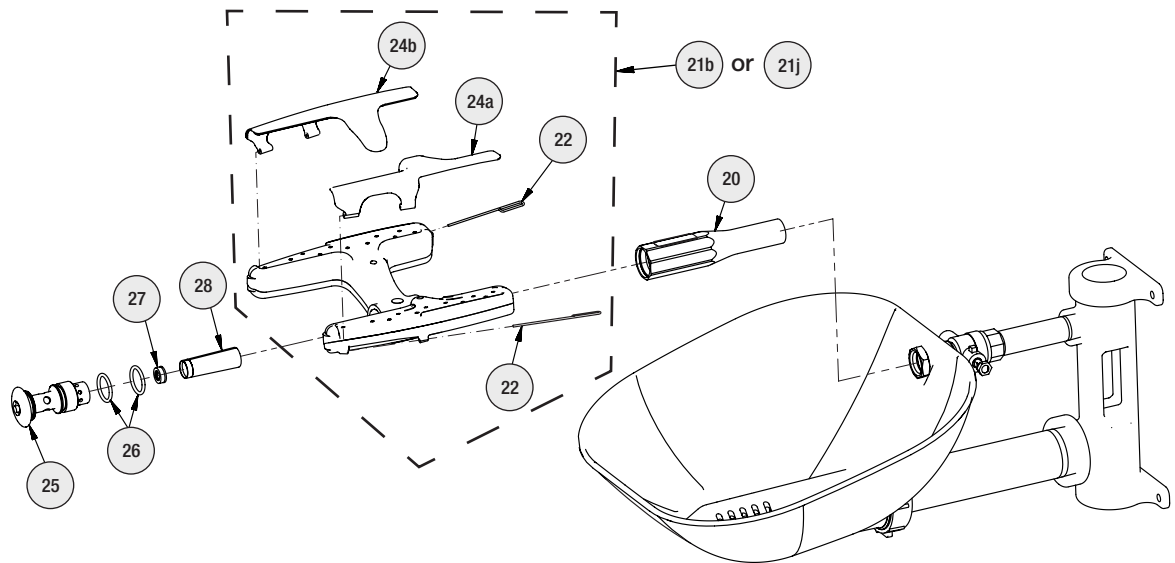
# Halo™ Eyewash and Eye/Face Wash Sprayhead Kits

# Installation

## Service Parts — Eyewash



## Service Parts — Eye/Face Wash

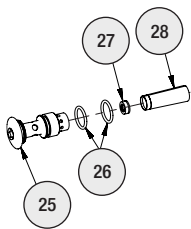


## Service Parts List — Eyewash and Eye/Face Wash

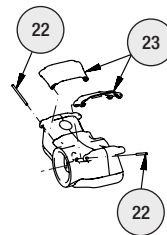
Item	Part No.	Qty	Description
20	171-001	1	Body
20	171-002	1	Body stainless steel
20	171-003	1	Body stainless steel 316
20	171-004	1	Body polished
21a	S05-190	1	Sprayhead ass'y. eyewash (includes)
22	in service kit	2	Pivot pin
23	in service kit	2	Flip cover eyewash
21b	S05-192	1	Sprayhead ass'y. eye/face wash (includes)
22	in service kit	2	Pivot pin
24a	in service kit	1	Flip cover right
24b	in service kit	1	Flip cover left

Item	Part No.	Qty	Description
21j	S05-205	1	Sprayhead stainless steel 316 ass'y. eye/face (includes)
	(used on both 304SS & 316SS fixtures)		
22	in service kit	2	Pivot pin
24a	in service kit	1	Flip cover right
24b	in service kit	1	Flip cover left
25	115-158	1	Cap
25	115-159	1	Cap stainless steel
25	115-164	1	Cap stainless steel 316
25	115-165	1	Cap polished
26	125-157	2	O-ring
27	125-175	1	Flow Control
28	S65-340	1	Screen (incl. 3 per pack)

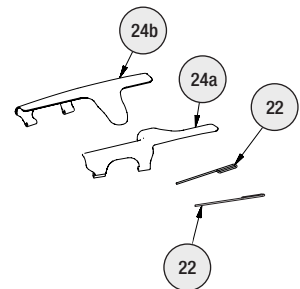
Prepack S65-339 includes items 26, 27, 28  
 Prepack S88-068 includes items 25, 26, 27, 28  
 Prepack S88-069 includes items 25, 26, 27, 28 (300 series ss)  
 Prepack S88-070 includes items 25, 26, 27, 28 (316 ss)



Eyewash Cover Prepack S45-2675 includes items 22 and 23



Eye/Face Wash Cover Prepack S45-2676 includes items 22, 24a and 24b



Flip covers (item 23 or 24a and 24b) are not required if the unit is equipped with a bowl and cover. These flip covers can be removed and discarded by installer.