



LD-5010 OmniDeck™ with WashBar® – 5000 Series

Key Features

- Basin(s) and deck are constructed of Terreon® solid surface material
- Decks are pre-fabricated; shipped complete to the job site
- Custom and standard sizes available
- Optional covered backsplash and integral front apron eliminate caulk lines
- Integral bowl option creates seamless look
- All-in-One, chrome-plated cast alloy WashBar® includes touch-free soap, water, and dryer
- WashBar technology intuitively guides user and eliminates simultaneous activations
- Basin and drain engineered to evacuate water and dissipate air flow

Specifications

The OmniDeck Model LD-5010 can accommodate one or more users. Model LD-5010 OmniDeck with WashBar features a Terreon solid surface deck with undermount basin. The OmniDeck with WashBar comes equipped with single piece All-in-One WashBar, allowing users to access soap, water, and a hand dryer without leaving the hand washing station. Optional aprons, splashes, mounting brackets, and single-station access panels are also available to round out the total package.

Product Compliance

Listed by IAPMO R&T to

- Uniform Plumbing Code (UPC)
- National Plumbing Code of Canada
- International Plumbing Code (IPC)
- IGC 156 and the requirements of CSA B45.5/IAPMO Z124 and ASME A112.18.1 / CSA B125.1
- IGC 127 (WashBar)



Listed by UL to

- UL499, CAN/CSA C22.2 No 36-08 (Hand Dryer)



Complies with

- ADA
- ICC/ANSI 117.1
- TAS
- NSF/ANSI 372



Listed by UL Environment to

- GreenGuard Gold

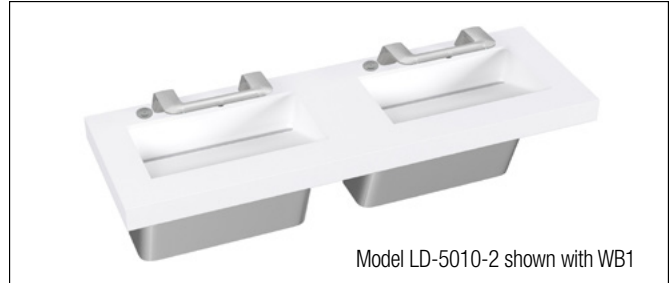


Sustainability

- Terreon participates in the mindful MATERIALS library



Verify all rough-in dimensions prior to installation. Consult local and national codes. Conformity and compliance to local and national codes is the responsibility of the installer.



Model LD-5010-2 shown with WB1



Model LD-5010-2 shown with WB2

Finishes

Click on any color swatch to view as a larger image.

-  Polished Chrome
-  Brushed Black Stainless*
-  Brushed Stainless*
-  Brushed Bronze*
-  Brushed Brass*
-  Brushed Nickel*

*PVD Finishes, see PVD Finishes section.

* PVD Finishes

Physical Vapor Deposition is an intricate, environmentally friendly finishing process that molecularly bonds the finish to the faucet, creating a very hard, durable surface that will not corrode, discolor, or tarnish.

Compatible Bradley Products

- [Verge Multi-Feed Soap System](#)

Serves the American Disabilities Act and ICC/ANSI 117.1 guidelines, citations 306, 308, 309.4, 606.4, 606.5 when installed according to these requirements.

This plumbing fixture is designed for hand washing only. It is not intended to dispense water for human consumption through drinking or for preparation of food or beverages.



LD-5010 OmniDeck™ with WashBar® – 5000 Series

Construction

Deck

Constructed of ½" thick Terreon, a densified solid surface material composed of bio-based resin. Terreon is resistant to chemicals, stains, burns, and impact. Surface damage can be easily repaired with everyday cleansers or fine grit abrasives. Terreon is GREENGUARD® certified as low-emitting materials.

Mounting Options

Designed to be mounted utilizing 12 gauge stainless steel mounting brackets to allow for easy install and future removal of deck. A mounting frame or cleating by others can also be used in the field. Bracket quantity is dependent on deck length. See table below.

DECK LENGTH	QTY. OF BRACKETS
2" – 45"	2
42.25" – 75"	3
75.25" – 105"	4
105.25" – 120"	5

Seaming

Seaming is required and included as standard for OmniDecks with a total length over 120". When ordering and quoting, Bradley will show a representation of the overall deck length with the segment lengths and recommended seaming locations. Seaming is the process of joining two or more solid surface segments together with an inconspicuous seam. Available from Bradley, adhesive seam kits are required for internal seams and are made to match any Terreon color. Seam kits must be ordered as a separate line item. Visit bradleycorp.com for additional information on seam kits. Optional seaming selections (SEAM-L and SEAM-R) are to be ordered for replacement deck segments.

Basin

The basin model WB-TR1 has been designed to direct water to a trench drain and features a 300 series stainless steel drain cap. The basin and drain cap work together to evacuate water and dissipate airflow to prevent splashing on the user or floor. Select the slotted drain cap with vandal-resistant screws for vandal-prone applications. The basin is constructed of Terreon solid surface and is available in all Terreon colors. Internal basin dimensions are 11-1/2" x 21-5/8" x 8-1/8".

WashBar

All-in-One, chrome-plated cast alloy WashBar includes touch-free soap, water, and hand dryer. Available in optional in-stock PVD finishes. The WashBar is secured to the basin with two anti-rotational shanks. Blue LED lights help guide the user to the WashBar, indicating the three functions. The LED light will change from blue to green to signify that the function is in use. Each function is easily identified by the corresponding icon on the WashBar's top surface. To aid in a smooth, controlled hand-washing and drying operation, sensors are programmed to eliminate simultaneous activations of nearby functions. WashBar sensors are not affected by varying skin tones or darkness. Smart technology allows the facility manager or maintenance staff to clean and configure with ease.

Cleaning Mode

WashBar has an activation feature to put the unit into Cleaning Mode to allow for easy cleaning of the WashBar and basin without activating the functions.

Configuration Mode

WashBar also has a Configuration Mode to identify how many cycles are on the soap, faucet, and dryer. Mode also allows for dryer speed and sound adjustment at medium and high levels.

Dryer

The hand dryer is located on the right side of the WashBar, allowing users to dry hands immediately after washing. This virtually eliminates excess water on the floor. The brushless dryer motor provides heated air at two speeds, medium and high, which can be field adjusted by placing the WashBar in Configuration Mode. With the dryer configuration set to high speed, hands can dry in approximately 15 seconds depending on user preference. There is 76 dB (high speed) with hands in air stream.

Electrical

Total rated power is 1200W. Each WashBar station requires a dedicated NEMA 5-15R Receptacle, 125V GFCI which is properly grounded and no more than 4 ft from the installation of the dryer assembly. Each 12V DC dryer cable powers the WashBar faucet, soap, and Multi-Feed system via the dedicated outlet.

Faucet

Faucet is located in the center of the WashBar and has a spray angle of approximately 17 degrees off the vertical. Choose either a 0.5 gpm or 0.35 gpm PCA silicone tip, non-aerated spray pattern. Maximum run time is 11 seconds. The 0.5 gpm (1.90 L-Min) flow control option is the equivalent to 0.09 gpc (0.35 Lpc) and the 0.35 gpm (1.30 L-Min) flow control option is the equivalent to 0.06 gpc (0.24 Lpc). Automatic 5 second purge within 24 hours of the last use. Recommended operating range is 20-80 psi.

Soap Dispenser

The soap dispenser is located on the left side of the WashBar. This eliminates any soap from dripping on counters or onto the floor, minimizing slip hazards and allows for easy cleaning. Choose between a foam or liquid soap dispenser and either Top Fill Multi-Feed system or bottom fill system.

Top Fill Multi-Feed System

Top Fill Multi-Feed soap system includes a 1.3 gallon (166.5 oz) tank and top fill port located on the top surface of the wash basin. Elegant translucent ring integrated on the fill port gives a glowing indication of low soap and overflow conditions. When the ring on the fill port flashes red, simply remove the fill port cap and replenish the soap via the fill port.

Below Fill System

Each WashBar soap system accommodates up to a 1 gallon (3.78 L) container (included) to reduce the number of soap replacements. When the LED light above the soap function turns to solid red, check the soap level and replace the soap container with a full container if necessary. The soap system includes an adapter to fit many 1 gallon (3.78 L) soap containers that are available on the market.

Please visit <https://www.bradleycorp.com/maintenance/soap-dispensers> for soap recommendations.

Verify all rough-in dimensions prior to installation.
Consult local and national codes. Conformity and compliance to local and national codes is the responsibility of the installer.



LD-5010

OmniDeck™ with WashBar® – 5000 Series

Access Panel

Minimalistic panel is composed of 300 series stainless steel or black, powder-coated stainless steel. Plumbing components, dryer motor, and soap tank are concealed within the panel. Select the enclosed bottom access panel for vandal-prone applications. The swing down access panel is designed to ease the maintenance process by eliminating tools and only requires one person for installation. Alternatively, customers can provide their own access panel.

Strainer and Drain Assembly System

Strainer and drain assembly system comes complete with 300 series stainless steel trench drain cap and tailpiece. Select the slotted drain cap with vandal-resistant screws for vandal-prone applications. Optional chrome plated P-trap available. Configured with individual drain rough-in connections.

Accessibility

ACCESSIBILITY CODE	RIM HEIGHT (max.)	DECK DEPTH (min.)	DECK DEPTH (max.)	NOTES
ADA	34" (864)	20½" (521)	24" (610)	At least one basin must meet dimensional requirements and have proper reach, knee, and toe clearance.
ADA/JUV Juvenile ADA	31" (787)	20½" (521)	24" (610)	At least one basin must meet dimensional requirements and have proper reach, knee, and toe clearance.
Enhanced Reach ICC A117.1 606.5	34" (864)	N/A	20½" (521)	Per 2009 IBC under 1109.2.3, if there are 6 or more lavatories, at least 1 lavatory must be 11" (279 mm) maximum reach depth.
OBC Ontario Building Code	33¼" (840)	20¾" (527)	24" (610)	
CSA Canadian Standards Association	33⅞" (860)	21" (533)	24" (610)	
BCBC British Columbia Building Code	34¼" (865)	22½" (572)	24" (610)	
QBC Quebec Building Code	34¼" (865)	23½" (597)	24" (610)	

Always review local codes for compliance.

Verify all rough-in dimensions prior to installation.
Consult local and national codes. Conformity and compliance to local and national codes is the responsibility of the installer.

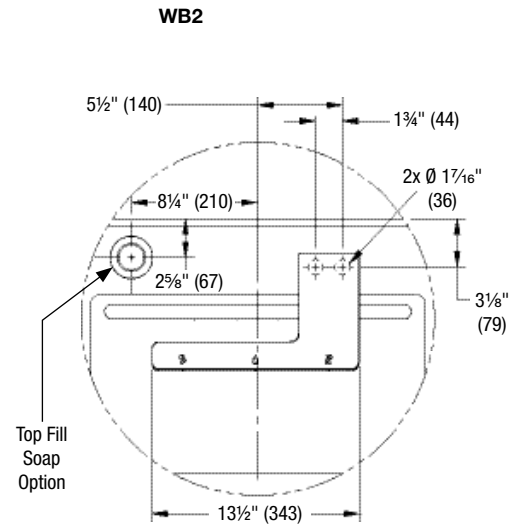
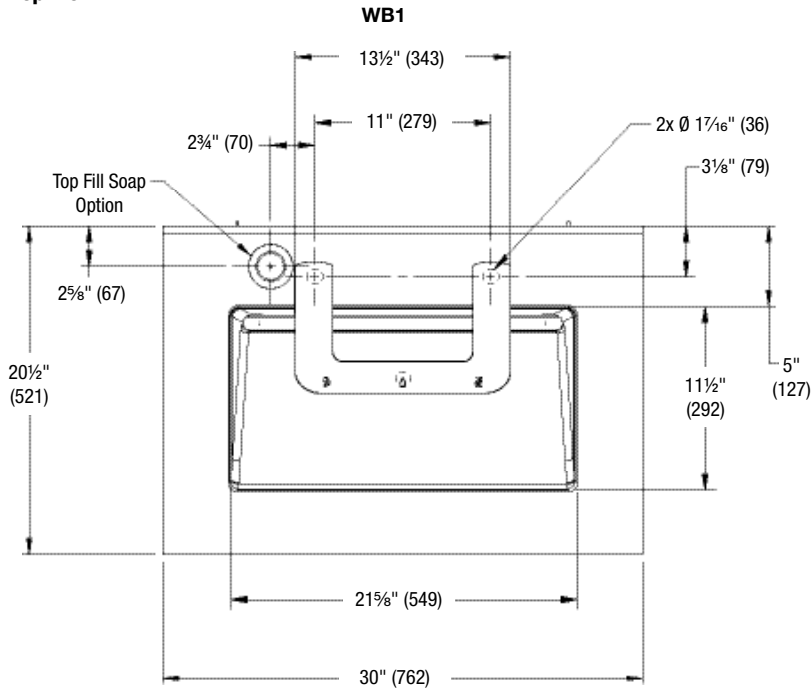


LD-5010 OmniDeck™ with WashBar® – 5000 Series

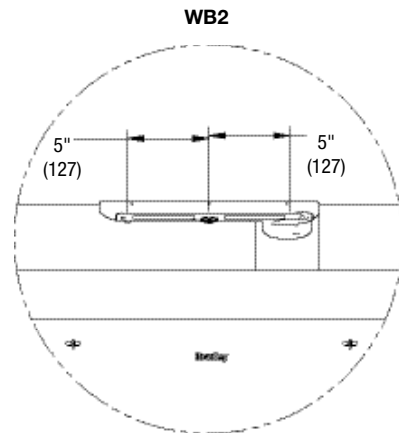
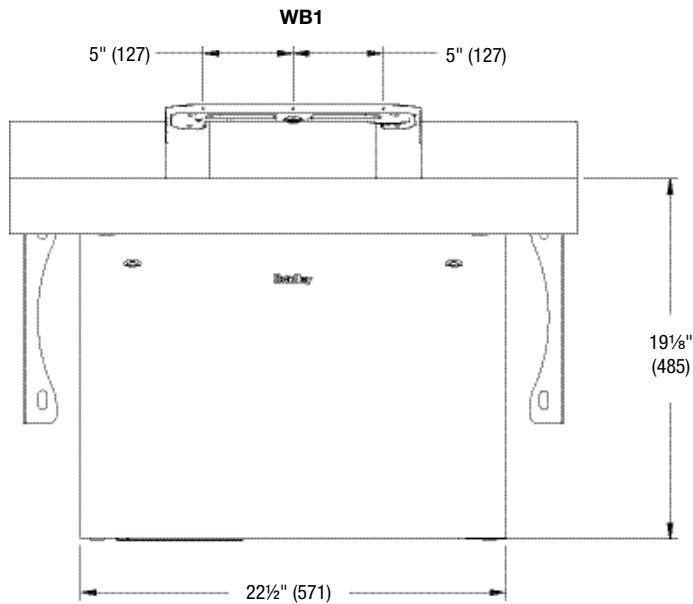
Dimensions - 1-Person

(mm)

Top View



Front View



Verify all rough-in dimensions prior to installation.
Consult local and national codes. Conformity and compliance to
local and national codes is the responsibility of the installer.

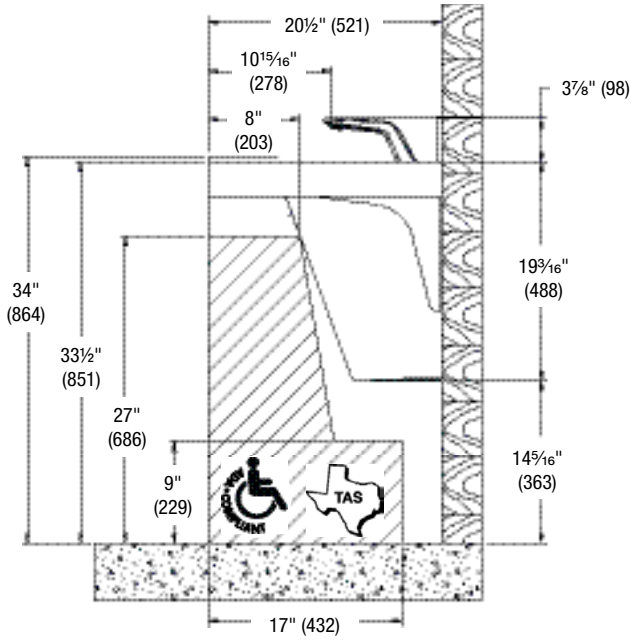


Dimensions – Side View (WB1)

(mm)

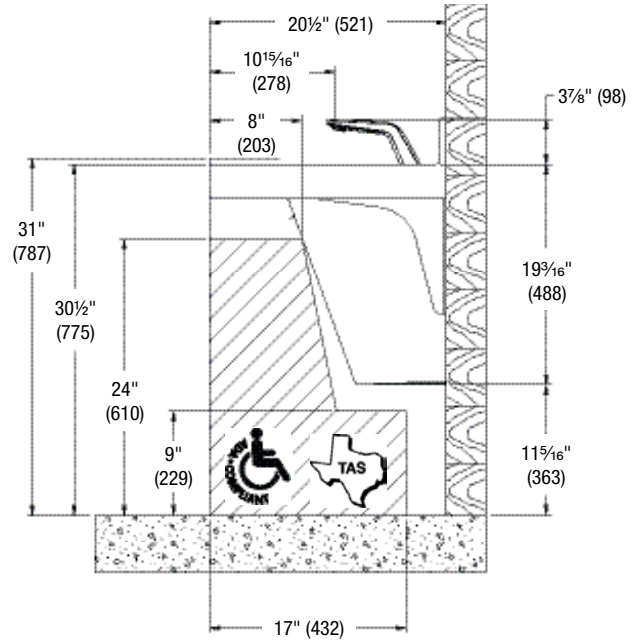
Surface mount brackets shown.

Standard Height (ADA)



**Deck depth must be 20 1/2" minimum for ADA,
Enhanced Reach depth is 20 1/2"**

Juvenile Height (ADA)



**Deck depth must be 20 1/2" minimum for ADA,
Enhanced Reach depth is 20 1/2"**

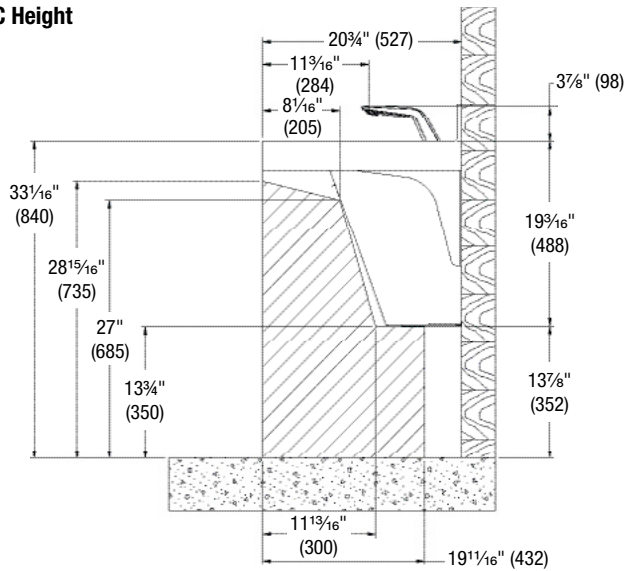
Verify all rough-in dimensions prior to installation.
Consult local and national codes. Conformity and compliance to
local and national codes is the responsibility of the installer.

Dimensions – Side View (WB1)

Surface mount brackets shown.

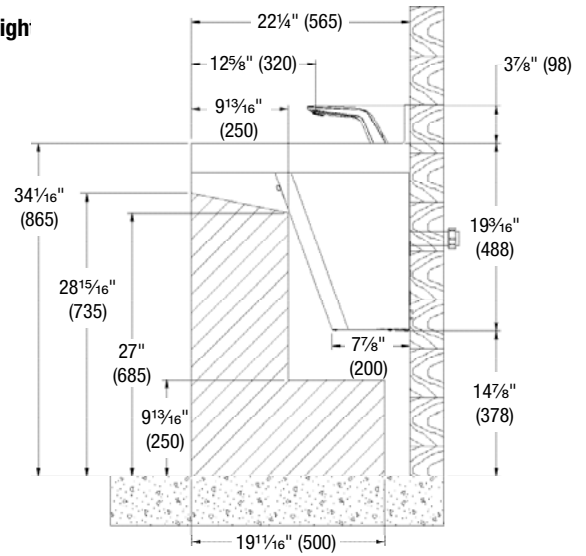
(mm)

OBC Height



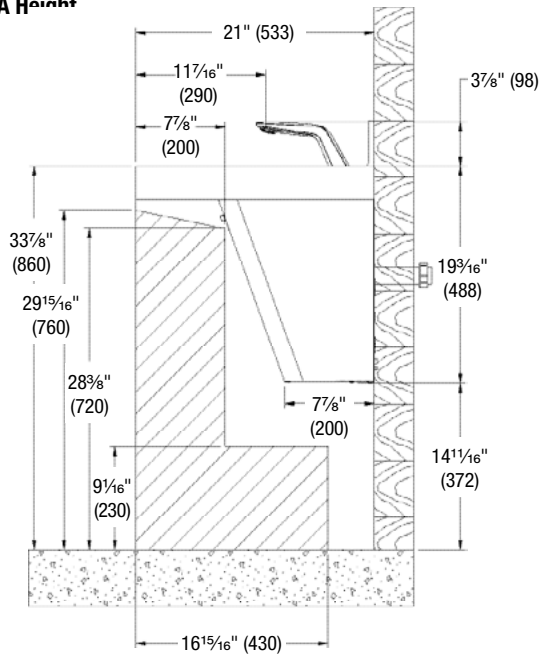
Deck depth must be 20 3/4" (527) minimum for OBC

BCBC Height



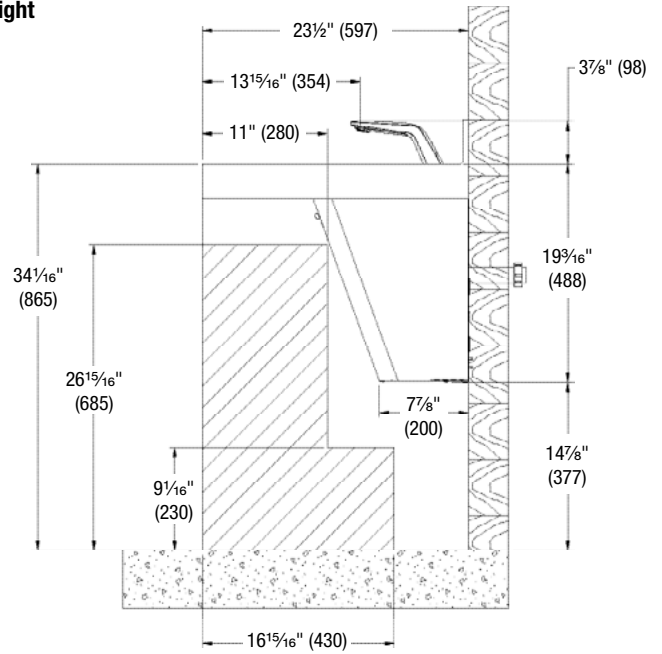
Deck depth must be 22 1/4" (565) minimum for BCBC

CSA Height



Deck depth must be 21" (533) minimum for CSA

QBC Height



Deck depth must be 23 1/2" (597) minimum for QBC

Verify all rough-in dimensions prior to installation.
Consult local and national codes. Conformity and compliance to local and national codes is the responsibility of the installer.



A WATTS Brand

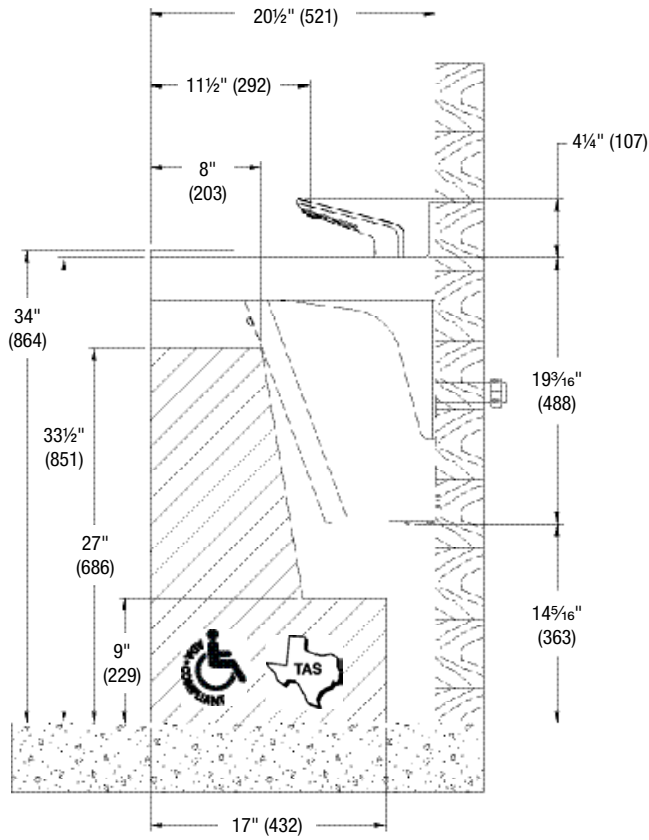
LD-5010 OmniDeck™ with WashBar® – 5000 Series

Dimensions – Side View (WB2)

(mm)

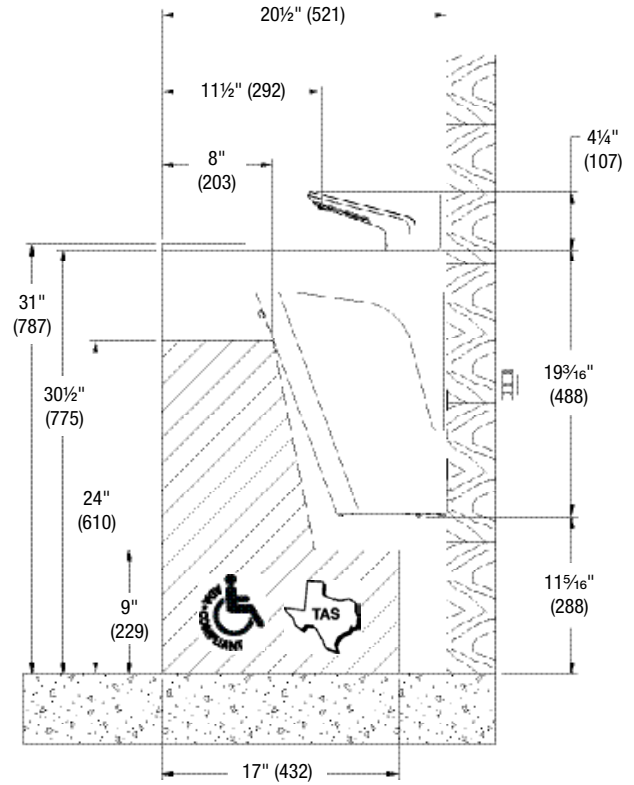
Surface mount brackets shown.

Standard Height (ADA)



Deck depth must be 20½" minimum for ADA, No enhanced reach at minimum depth of 20½"

Juvenile Height (ADA)



Deck depth must be 20½" minimum for ADA, No enhanced reach at minimum depth of 20½"

Verify all rough-in dimensions prior to installation.
Consult local and national codes. Conformity and compliance to local and national codes is the responsibility of the installer.



A WATTS Brand

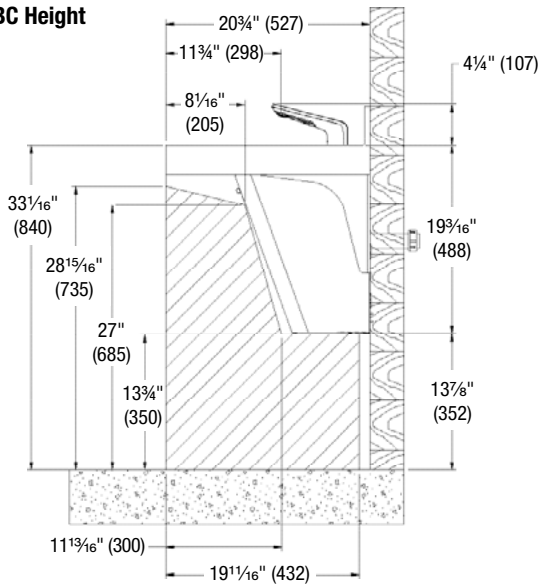
LD-5010 OmniDeck™ with WashBar® – 5000 Series

Dimensions – Side View (WB2)

Surface mount brackets shown.

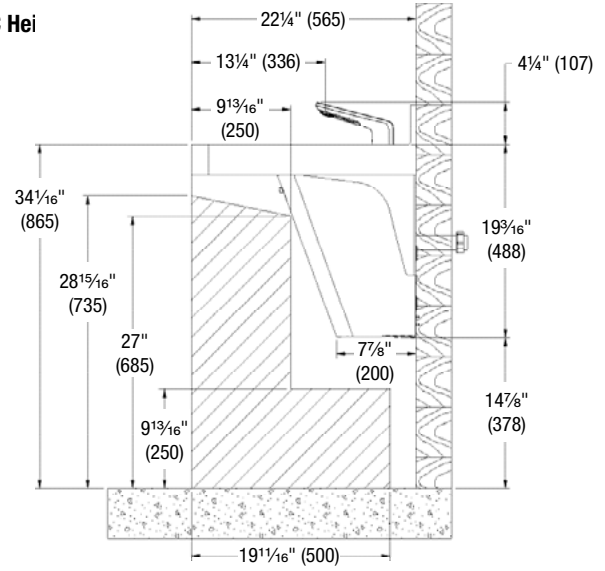
(mm)

OBC Height



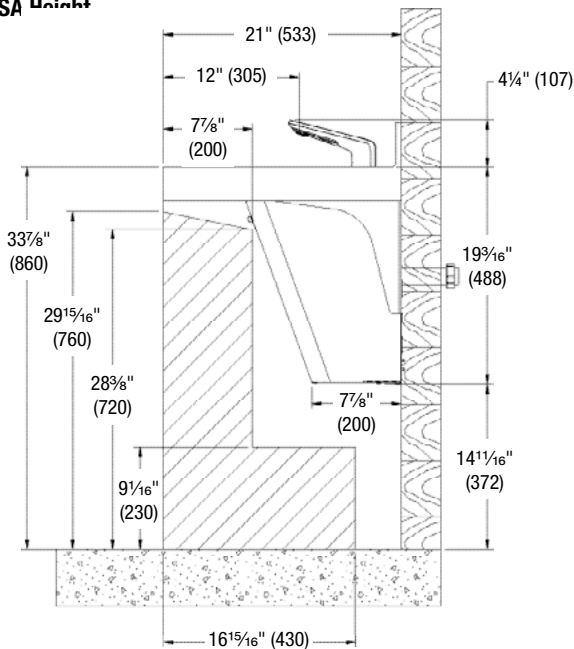
Deck depth must be 20 3/4" (527) minimum for OBC

BCBC Hei



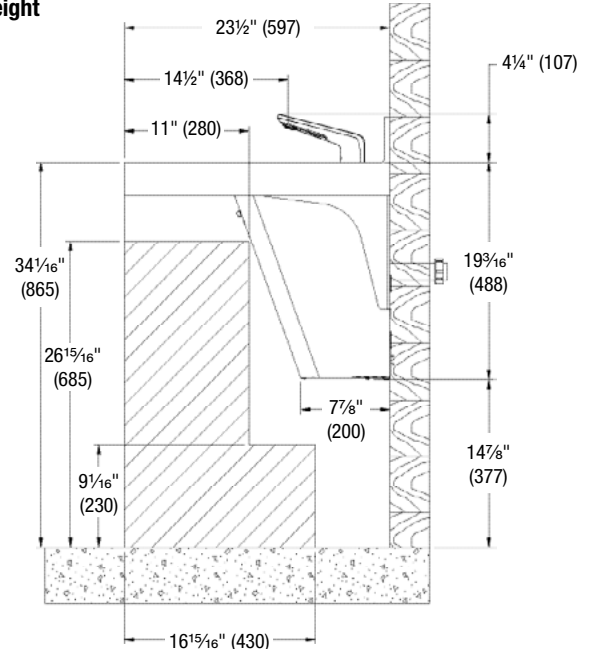
Deck depth must be 22 1/4" (565) minimum for BCBC

CSA Height



Deck depth must be 21" (533) minimum for CSA

QBC Height



Deck depth must be 23 1/2" (597) minimum for QBC

Verify all rough-in dimensions prior to installation.
Consult local and national codes. Conformity and compliance to local and national codes is the responsibility of the installer.



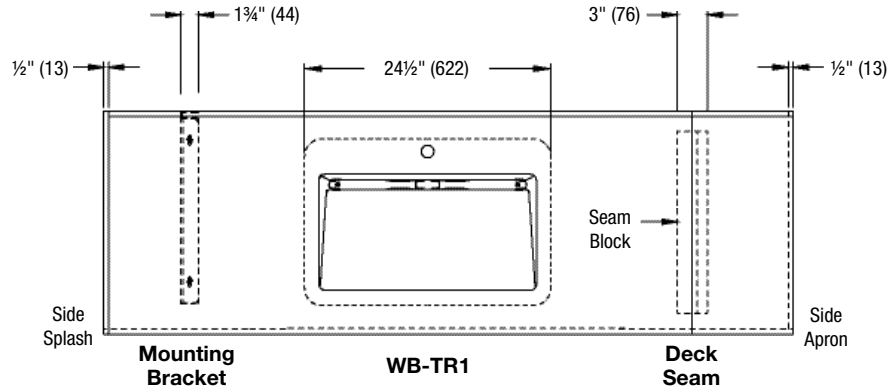
A WATTS Brand

LD-5010 OmniDeck™ with WashBar® – 5000 Series

Minimum Dimensions for Custom Dimensions & Placements

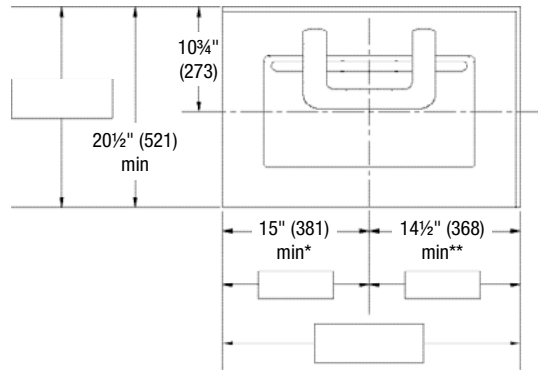
(mm)

- ✔ Use these drawings as a guideline to ensure your deck length can accommodate your option configuration.
- ✔ A 0.25" (6 mm) clearance between components (splash to bracket, bracket to bowl flange, etc.) is required.



LD-5010-1 Dimensions

- ✔ WB1 shown; WB2 similar



* with side apron
 ** with side splash or no side apron

Verify all rough-in dimensions prior to installation.
 Consult local and national codes. Conformity and compliance to local and national codes is the responsibility of the installer.



A WATTS Brand

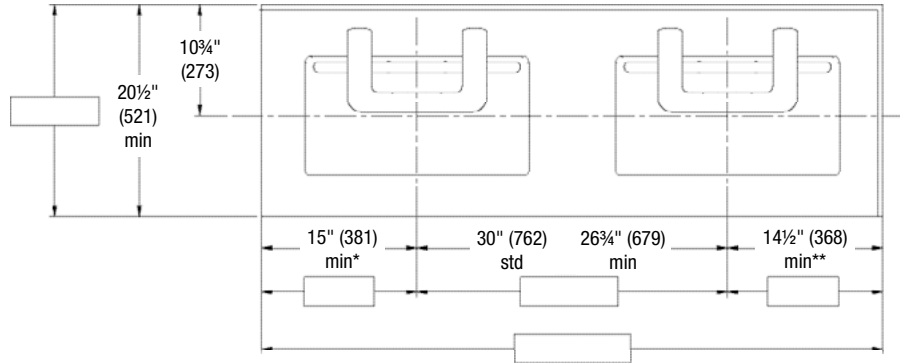
LD-5010 OmniDeck™ with WashBar® – 5000 Series

Minimum Dimensions for Custom Dimensions & Placements

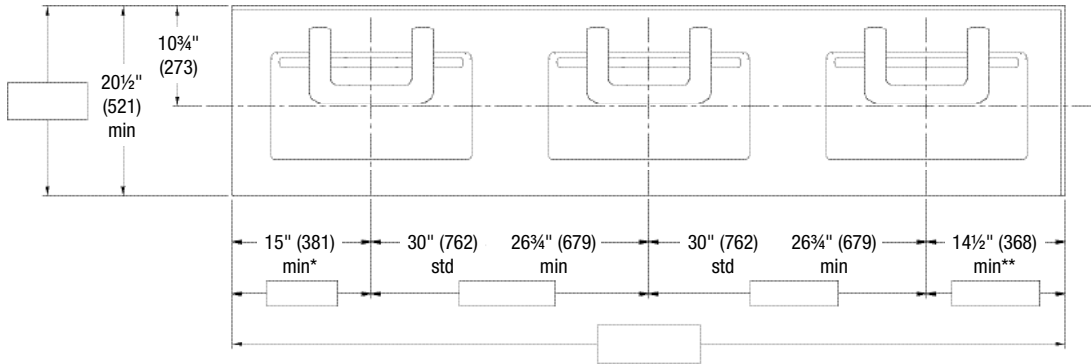
(mm)

LD-5010-2 Dimensions

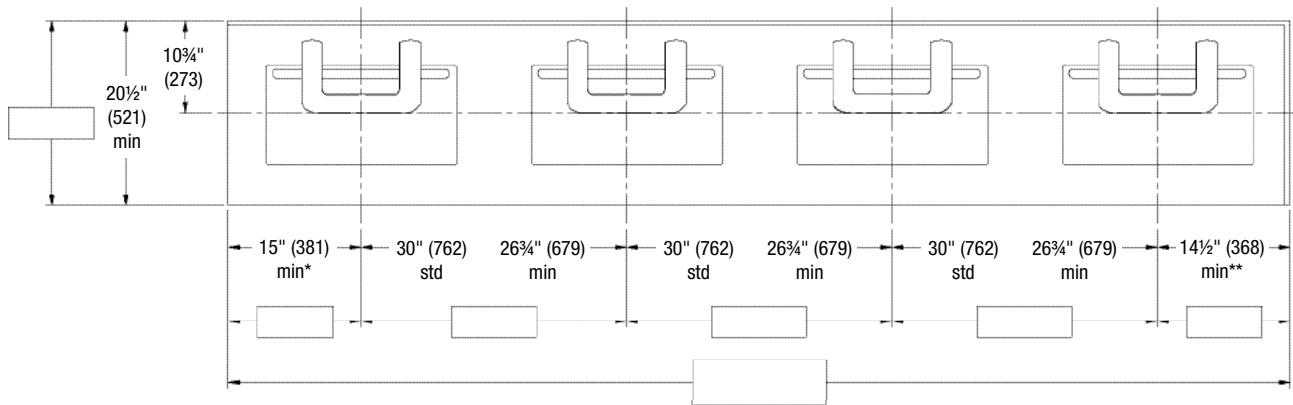
WB1 shown; WB2 similar



LD-5010-3 Dimensions



LD-5010-4 Dimensions



* with side apron

** with side splash or no side apron

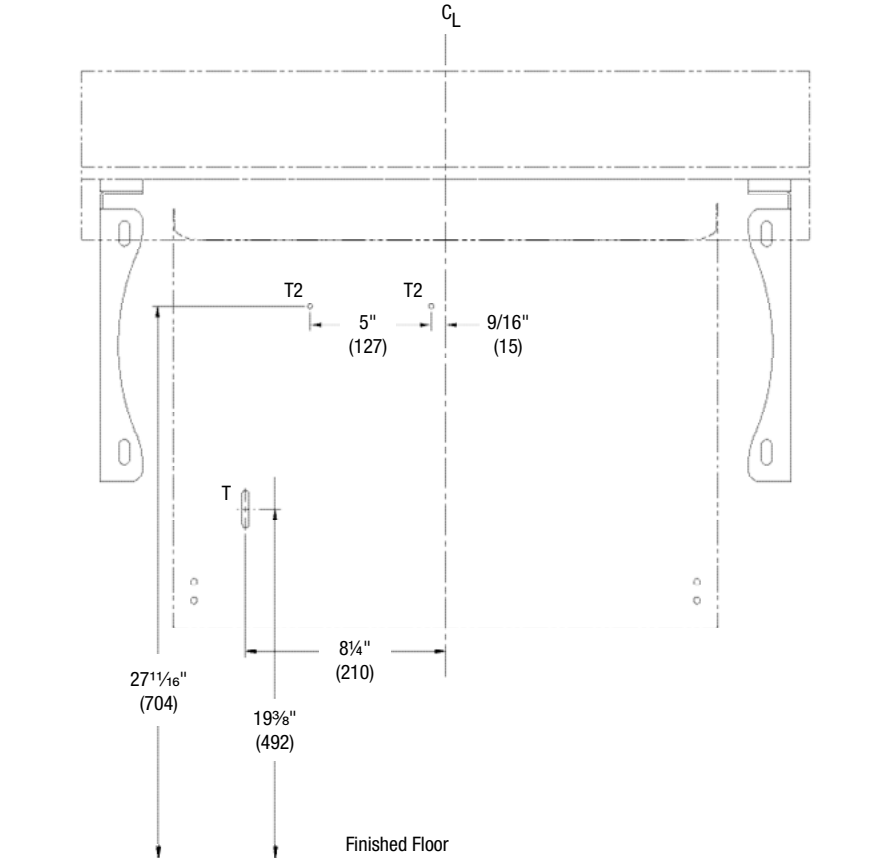
Verify all rough-in dimensions prior to installation.
Consult local and national codes. Conformity and compliance to
local and national codes is the responsibility of the installer.



Structural Rough-Ins – Top Fill Soap

(mm)

- Typical OmniDeck rough-ins for single WB-TR1 bowl are shown. Other multiple bowl rough-ins are similar.
- Points T and T2 require sufficient backing compliant with local building codes.



CODE	DESCRIPTION	QTY.
T	#10 Wall Anchors for Top Fill Soap Tank Mount	1
T2	#10 Wall Anchors for Top Fill Soap Pump Mount	2

RIM HEIGHT	VERTICAL HEIGHT ADJUSTMENTS	FIXTURE STYLE
34"	No Adjustment	Standard Height ADA and TAS
31	Subtract 3"	Juvenile ADA and TAS
33 1/16"	Subtract 15/16"	OBC
34 1/16"	Add 1/16"	BCBC and QBC
33 7/8"	Subtract 7/8"	CSA

Verify all rough-in dimensions prior to installation.
Consult local and national codes. Conformity and compliance to local and national codes is the responsibility of the installer.



A WATTS Brand

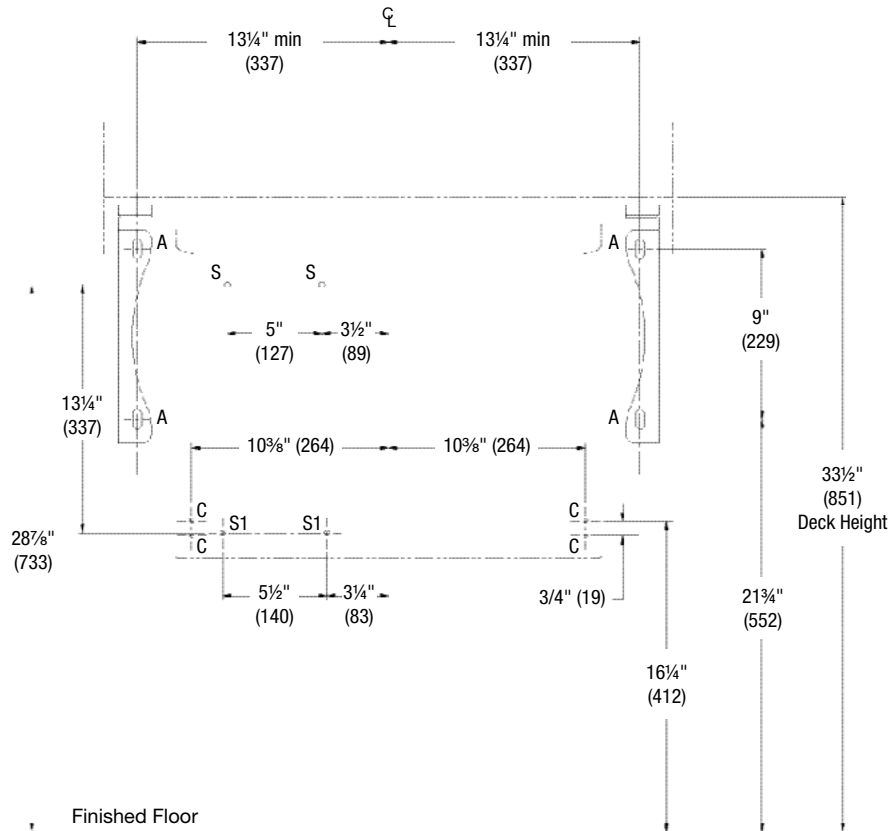
LD-5010 OmniDeck™ with WashBar® – 5000 Series

Structural Rough-Ins – Bottom Fill Soap

(mm)

Typical OmniDeck rough-ins for single WB-TR1 bowl are shown.
Other multiple bowl rough-ins are similar.

Points S and S1 require sufficient backing compliant with local building codes.



CODE	DESCRIPTION	QTY.
A1	5/8" wall anchors with a minimum pull-out force of 1,000 lb per local codes	2 per bracket
A2	Square Washers (provided)	2 per bracket
C	Install wall anchor with a minimum pull-out force of 100 lb per local codes at locations shown.	4
S	#10 Wall Anchors for Bottom Fill Soap Control Box Bracket	2
S1	#10 Wall Anchors for Bottom Fill Soap Tank Bracket (100 lb pull out force)	2

RIM HEIGHT	VERTICAL HEIGHT ADJUSTMENTS	FIXTURE STYLE
34"	No Adjustment	Standard Height ADA and TAS
31	Subtract 3"	Juvenile ADA and TAS
33 1/16"	Subtract 15/16"	OBC
34 1/16"	Add 1/16"	BCBC and QBC
33 7/8"	Subtract 7/8"	CSA

Verify all rough-in dimensions prior to installation.
Consult local and national codes. Conformity and compliance to local and national codes is the responsibility of the installer.



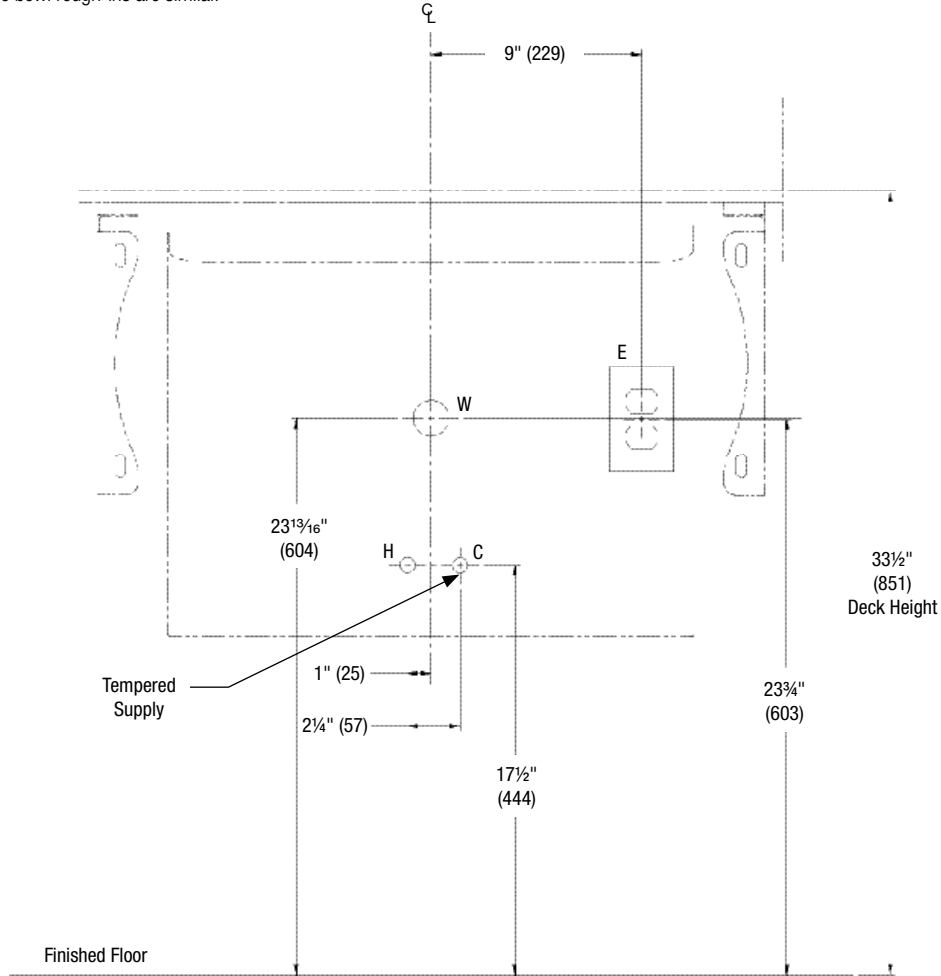
A WATTS Brand

LD-5010 OmniDeck™ with WashBar® – 5000 Series

Plumbing and Electrical Rough-Ins

(mm)

- Mounting for Standard ADA and TAS height shown.
- Typical OmniDeck rough-ins for single WB-TR1 bowl are shown. Other multiple bowl rough-ins are similar.



CODE	DESCRIPTION	QTY.
A	1 1/2" NPT Drain, Stub-out 2" from wall	1
H, C	1/2" Nominal (5/8" O.D. Comp.) Hot/Cold supplies, Stub-out 2" from wall	1
E	A dedicated NEMA 5-15R Receptacle, 125V GFCI must be provided, which is properly grounded and no more than 4 ft from the installation of the dryer assembly.*	1

*If no GFCI outlet is provided, contact a licensed electrician to ensure proper electrical connections in accordance with local building codes. Troubleshooting and internal maintenance must be performed by qualified service personnel.

Verify all rough-in dimensions prior to installation.
Consult local and national codes. Conformity and compliance to local and national codes is the responsibility of the installer.



A WATTS Brand

LD-5010 OmniDeck™ with WashBar® – 5000 Series

Models (Must select one)			
Model	Description		
LD-5010	OmniDeck with WashBar 5000 Series		
Country of Installation (select one)			
C1	United States or Canada		
Deck Configuration Type (select one)			
NOTE: Changes to predetermined dimensions require custom unit.			
STD	Standard	CST	Custom
Deck Configuration			
Deck Length (L) (select one)			
30.00	30" (Standard)	120.00	120" (Standard)
60.00	60" (Standard)	CST	Custom _____"
90.00	90" (Standard)	(reference minimum dimension drawings on previous pages. 0.25" increments) ¹	
Deck Depth Compliance ² (select one)			
ADA/JUV	ADA/JUV Mounting Height		
CSA	Canadian Standards Association Mounting Height		
OBC	Ontario Building Code Mounting Height		
BCBC	British Columbia Building Code Mounting Height		
QBC	Quebec Building Code Mounting Height		
Deck Depth (D) ² (select one)			
20.5	20.5" Standard (minimum)		
CST	Custom _____" (must be between 20.75" and 24")		
Bowl Configuration			
Bowl Type (select one)			
WB-TR1	Rectangular Undermount w/ Stainless Steel Drain Cap		
NONE	No Bowl (custom)		
Bowl Quantity (select one)			
1	One Bowl	4	Four Bowls
2	Two Bowls	CST	Custom _____ (7 max)
3	Three Bowls		
Trench Drain Cap Type ³ (select one)			
DR1	Stainless Steel Trench Drain Cap		
DR2	Slotted Stainless Steel Trench Drain Cap w/Vandal Screws		
Color of Terreon Bowl (select one)			
NOTE: Click on any swatch to view as a larger image.			
ALP-WHT	<input type="checkbox"/>	Alpine White	
DS-WHT	<input type="checkbox"/>	Designer White	
NONE	No Bowl		
SAME	Same as Deck – does not apply to colors listed above (Requires Tempered Water)		
Bowl Placement Type (select one)			
STD	Standard Placement (Evenly distributed on deck)		
CST	Custom Placement (Indicate placements on pages 9 & 10)		

Submittal drawings not required for product configured to technical data options but available upon request.

General Options

Edge Style Type (select one)

- EE Ease Edge
- RO 3/8" Radius Roundover

NOTE: Sidesplashes sit lower than the backsplash when RO option is selected. If wall is to be tiled after deck installation, EE option is recommended.

Backsplash Type (greater than 5" is shipped loose) (select one)

- BS Backsplash
- NBS No Backsplash

Front Apron Type (select one)

- FA Front Apron
- NFA No Front Apron

Left Side Type (select one)

- LSS Left Side Splash ⁴
- SEAM-L Side Seam ¹
- LSA Left Side Apron
- NONE No Left Side Option

Right Side Type (select one)

- RSS Right Side Splash ⁴
- SEAM-R Side Seam ¹
- RSA Right Side Apron
- NONE No Right Side Option

Splash Height (select one)

- 3 3" Standard
- CST Custom _____ (10" max)

NOTE: Splashes 5.25" to 10" are shipped loose.

Apron Height (select one)

- 3 3" Standard
- CST Custom _____ (10" max)

NOTE: Aprons 5" to 10" are reinforced with gussets.

Apron Gusset Type (required with custom apron heights 5" to 10")

- GUSSET Apron Gusset

Seaming Kit Type ⁵ (180 Day Shelf Life - Each kit will accommodate a 30" seam)

- AS-K Seam Kit
- NONE No Seam Kit

Seaming kit sold separately. Visit www.bradleycorp.com for more information.

¹ Decks exceeding 120" will consist of multiple deck segments.

² Deck Depth Ranges for Compliance

ADA/JUV: 20-1/2" (521 mm) to 24" (610 mm)

CSA: 21" (533 mm) to 24" (610 mm)

OBC: 20-3/4" (527 mm) to 24" (610 mm)

BCBC: 22-1/4" (565 mm) to 24" (610 mm)

QBC: 23-1/2" (597 mm) to 24" (610 mm)

³ Not available with Bowl Type NONE. Available in stainless steel finish only.

⁴ Side splash ships loose.

⁵ All seams require a seaming kit.

Verify all rough-in dimensions prior to installation.
Consult local and national codes. Conformity and compliance to local and national codes is the responsibility of the installer.



A WATTS Brand

LD-5010 OmniDeck™ with WashBar® – 5000 Series

Submittal drawings not required for product configured to technical data options but available upon request.

General Options (continued)

Color of Terreon Deck (select one)

NOTE: Click on any swatch to view as a larger image.

Standard Colors

ALP-WHITE	<input type="checkbox"/> Alpine White	PEBBLE	<input type="checkbox"/> Pebble Beach
CHAR	<input type="checkbox"/> Charcoal Gray	PEP-WHT	<input type="checkbox"/> Peppered White
DRIFT	<input type="checkbox"/> Driftwood ²	POLAR	<input type="checkbox"/> Polar Ice ²
DS-WHT	<input type="checkbox"/> Designer White	RIVER	<input type="checkbox"/> Riverstone
E-GRAY	<input type="checkbox"/> Empire Gray	SAND	<input type="checkbox"/> Sandtrap
GLACIER	<input type="checkbox"/> Glacier	S-CREEK	<input type="checkbox"/> Stone Creek
GRAPH	<input type="checkbox"/> Graphite	S-MIST	<input type="checkbox"/> Silver Mist
LANNON	<input type="checkbox"/> LannonStone	WHT-SAND	<input type="checkbox"/> White Sand
MOONSTONE	<input type="checkbox"/> Moonstone ²		

WashBar Type (select one)

WB1	WashBar WB1 w/Touch-Free Time of Flight Sensor Activation
WB2	WashBar WB2 w/Touch-Free Time of Flight Sensor Activation
WB1-DO	WashBar WB1 Drilling Only (custom configuration)
WB2-DO	WashBar WB2 Drilling Only (custom configuration)
NONE	No WashBar (custom configuration)

Water Supply Type ² (select one)

T or L must be selected for WB1 or WB2 only (thermostatic mixing assembly and tempered line assembly included only with WB1 and WB2).

T	Thermostatic Mixing Assembly (supply hoses and shut-offs included)
L	Single Tempered Line Assembly (supply hoses and shut-offs included)

TEMP or NO TEMP must be selected to determine bowl color options for WB1-DO or WB2-DO only. Some bowl colors require confirmation that a tempered water supply will be used.

TEMP	Tempered - less than 110°F or 43°C (WB1-DO & WB2-DO only, supply hoses and shut-offs not included) ³
NO TEMP	Not Tempered (supply hoses and shut-off not included) ³

Flow Control Type (select one)

3	0.35 gpm PCA Silicone Tip, Multiple Individual Laminar Flow Streams ²
5	0.50 gpm PCA Silicone Tip, Multiple Individual Laminar Flow Streams ²
NONE	No Flow Control ³

Soap Type (select one)

F	Foam Soap Dispenser ²
L	Liquid Soap Dispenser ²
NONE	No Soap Type ³

Soap Fill System (select one)

M	Top Fill Multi-Feed (Includes 6-SOAP-MFT Multi-Feed Soap Tank Assembly with 1.3 gal (166.5 oz) container)
BI	Below Fill (Individual, includes 1 gallon (3.72 L) container)

Hand Dryer Type (select one)

HD2	Brushless 120V, 50/60Hz, 8.6A
NONE	No Hand Dryer ³

Power Supply (select one)

AC	AC Power
-----------	----------

NOTE: The Top Fill Multi-Feed power harness is included when Soap Fill System type M is selected.

WashBar Finish Type ^{2 6} (select one)

PC	<input type="checkbox"/> Polished Chrome
BB	<input type="checkbox"/> Brushed Black Stainless
BS	<input type="checkbox"/> Brushed Stainless
BZ	<input type="checkbox"/> Brushed Bronze
BR	<input type="checkbox"/> Brushed Brass
BN	<input type="checkbox"/> Brushed Nickel
NONE	No WashBar Finish ³

Mounting Type (select one)

BRKT	Stainless Steel Bracket(s) ⁴
NONE	Customer-Supplied Mounting

Access Panel Type (select one)

STAIN	Swing Down Stainless Steel ⁵
STAIN-E	Swing Down Stainless Steel w/Enclosed Bottom ⁵
PWB	Swing Down Matte Black Powder-Coated Stainless Steel ⁵
PWB-E	Swing Down Matte Black Powder-Coated Stainless w/Enclosed Bottom ⁵
NONE	No Access Panel

Waste Assembly Type (select one)

S-CHROME	Single Chrome-Plated P-Trap
S-POLY	Single Polypropylene P-Trap
NONE	No P-Trap

¹ This color contains large, randomly distributed chips.

² Available only with WashBar Type WB1 & WB2.

³ Available only with WashBar Type NONE or WashBar Drilling.

⁴ Bracket or sleeve quantity is dependent on deck length. 2" to 45" = 2 brackets, 45.25" to 75" = 3 brackets, 75.25" to 105" = 4 brackets, and 105.25" to 120" = 5 brackets

⁵ Recommended for easy soap maintenance; not available with WashBar Type NONE.

⁶ WashBar finish will match Top Fill (M) port finish.

Verify all rough-in dimensions prior to installation.
Consult local and national codes. Conformity and compliance to local and national codes is the responsibility of the installer.