

MILLS[®] PRIVACY PARTITIONS

Add privacy, comfort and style to any commercial restroom.



Stainless Steel
Powder Coated
Bradmar™
Phenolic

Floor Mounted Overhead Braced
Floor to Ceiling

Commercial Washrooms. Brought to Life.





Demand for greater privacy in public restrooms has been a long time coming.

What is privacy? For many it brings to mind ‘a retreat, seclusion, solitude’. While most might not associate those terms with public restrooms, there is no question that privacy is becoming more important to everyone who uses those spaces.

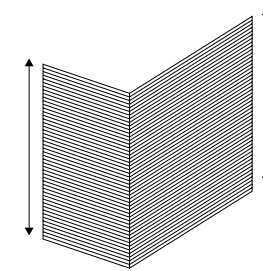
This need for privacy is not new. According to the classic study on restroom design, *The Bathroom* by Alexander Kira, Americans have been uncomfortable with the lack of privacy in the restroom as far back as the 60s! And just like their parents and possibly grandparents, today’s high school students revealed that greater privacy surrounding restroom stalls is the top improvement they’d like to see in their school restrooms.

Taking cues from European influence, Bradley privacy partitions give owners and architects the options to create a comfortable, durable restroom retreat for users.

Mills Privacy Partition Features

Nearly 30% of Americans use a public restroom simply to get away.

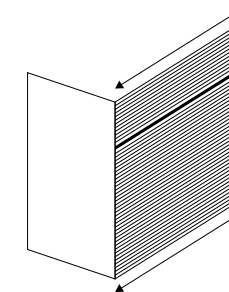
Whether new construction or renovation, Mills Privacy partitions offer all the features you need to give users a private restroom retreat for any application. Save on installation and material costs compared to full wall construction.



EXTRA HEIGHT DOORS AND PANELS

72" (1829 mm) tall doors and panels mounted 6" (153 mm) AFF

69" (1753 mm) tall doors and panels mounted 9" (230 mm) AFF for ADA stalls

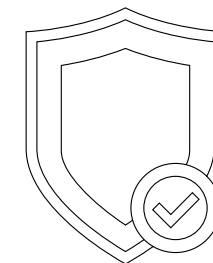


EXTRA DEPTH PANELS

Available in depths up to 84" (2134 mm)

Available with extra height stalls

Featuring NEW aluminum H-bracket for clean design aesthetic



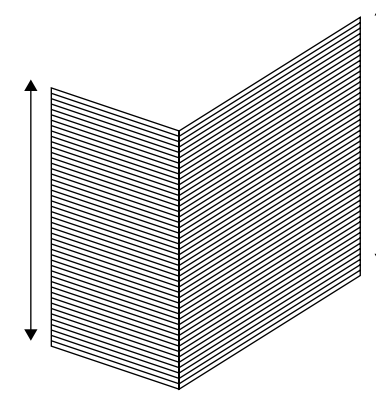
NO-SITE OPTIONS

Eliminates gaps between doors, pilasters and panels

Bradmar™ partitions available with integral No-Site design

Full privacy height No-Site strips available for stainless steel, powder coated and phenolic partitions

Full privacy height continuous hinges and brackets available for all materials



Extra Height Doors and Panels

Available in a full range of materials and colors in multiple mounting styles.

HEIGHT DIMENSIONS

72" (1829 mm) tall doors and panels, mounted 6" (153 mm) AFF

69" (1753 mm) tall doors and panels, mounted 9" (230 mm) AFF for ADA stalls

MOUNTING STYLES

Floor Mounted Overhead Braced and Floor to Ceiling.

MATERIALS

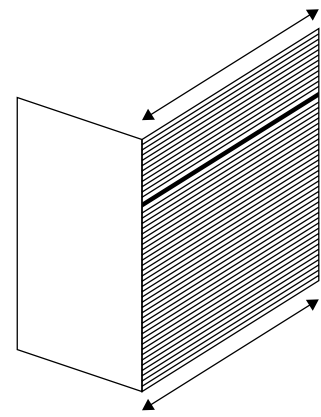
Stainless Steel, Powder Coated, Phenolic Core and Bradmar Solid Plastic.

Available in a full range of colors and textures.

All materials have achieved GREENGUARD GOLD Certification.



* Fusion Granite material's stainless doors have achieved GREENGUARD GOLD Certification

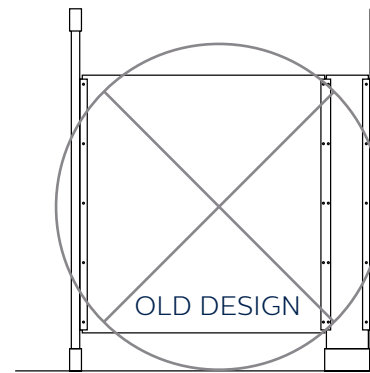


Extra Depth Panels

Adding additional depth to stalls is a great way to increase feelings of privacy. To achieve this design with taller panels, it's common to see a pilaster used to make up the depth of the stall.

Bradley has solved this issue with our sleek new stacked panel design, which features an aluminum H bracket that provides a cleaner design aesthetic and is easier to install than the previous panel and pilaster design.

Perfect for airports and hotel lobbies where extra space for luggage is a must, or malls and amusement parks where parents need the extra space to care for small children.

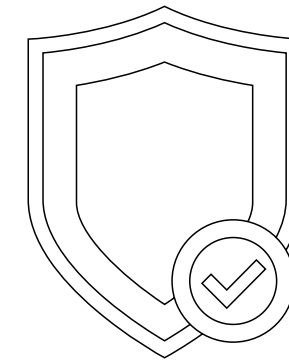


STACKED PANEL DESIGN



The stacked panel design is standard when the depth exceeds the following:

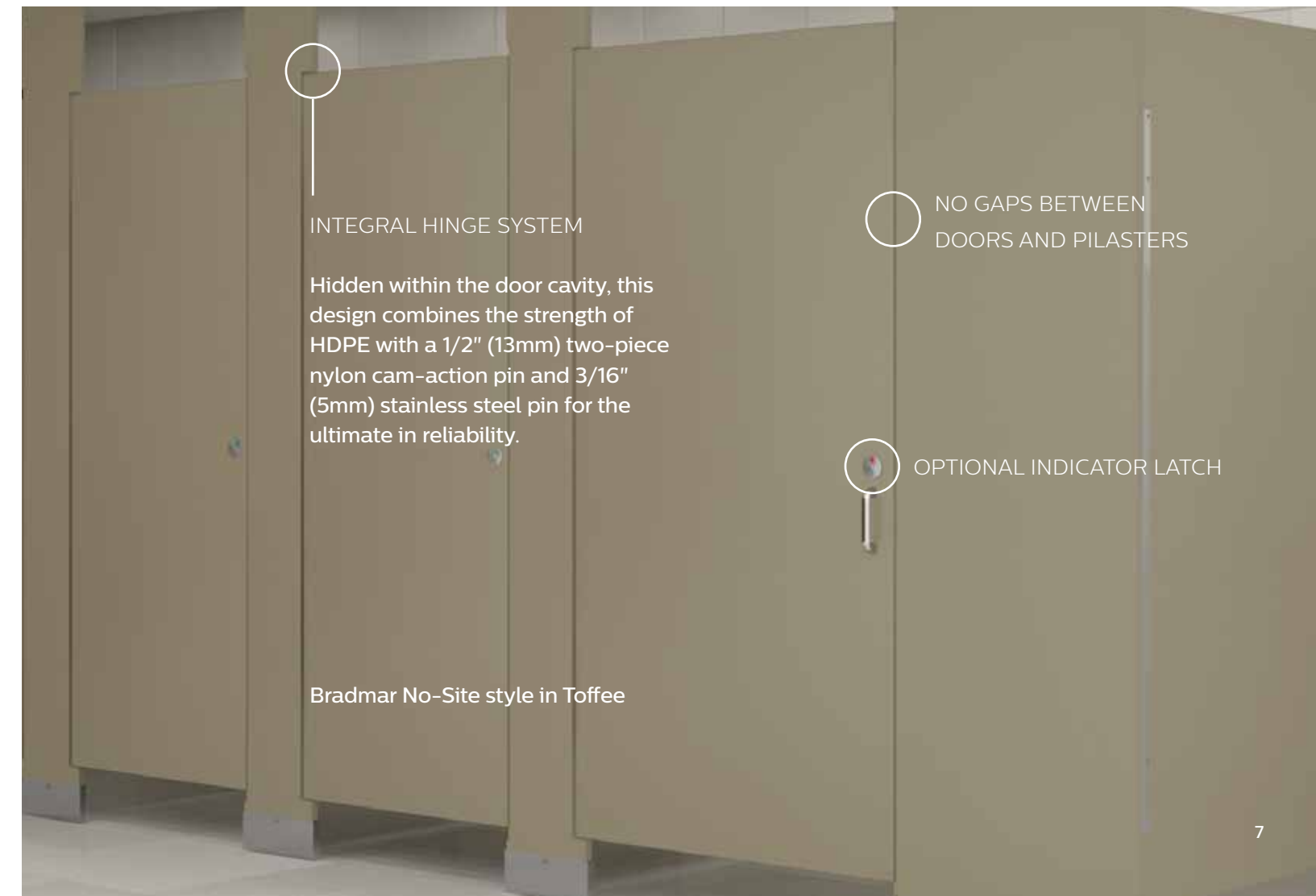
Stainless	61" (1550 mm) to face
Powder Coated	61" (1550 mm) to face
Phenolic Core	63" (1601 mm) to face
Bradmar™	58" (1474 mm) to face



Almost half of Americans are uncomfortable or bothered by the small gap between doors and pilasters.

No-Site Options

Bradmar No-Site style partitions feature an integral, gap-free design between doors and pilasters. Full privacy height No-Site strips available for stainless steel, powder coated and phenolic partitions. Full privacy height continuous hinges and brackets available for all materials.



INTEGRAL HINGE SYSTEM

Hidden within the door cavity, this design combines the strength of HDPE with a 1/2" (13mm) two-piece nylon cam-action pin and 3/16" (5mm) stainless steel pin for the ultimate in reliability.

NO GAPS BETWEEN DOORS AND PILASTERS

OPTIONAL INDICATOR LATCH

Bradmar No-Site style in Toffee



MILLS PRIVACY OFFERINGS

MATERIAL	DOOR + PANEL HEIGHT	MOUNTING CONFIGURATION	STACKED PANEL DESIGN PARAMETERS	PRIVACY OPTIONS
STAINLESS STEEL	72" (1829 mm) H 6" (153 mm) AFF ADA stalls 69" (1753 mm) H 9" (230 mm) AFF	Floor mounted overhead braced Floor to ceiling	61" (1550 mm) to face	No-Site strips Continuous hinge Continuous bracket
POWDER COATED	72" (1829 mm) H 6" (153 mm) AFF ADA stalls 69" (1753 mm) H 9" (230 mm) AFF	Floor mounted overhead braced Floor to ceiling	61" (1550 mm) to face	No-Site strips Continuous hinge Continuous bracket
PHENOLIC CORE	72" (1829 mm) H 6" (153 mm) AFF ADA stalls 69" (1753 mm) H 9" (230 mm) AFF	Floor mounted overhead braced Floor to ceiling	63" (1601 mm) to face	No-Site strips Continuous hinge Continuous bracket
BRADMAR	72" (1829 mm) H 6" (153 mm) AFF ADA stalls 69" (1753 mm) H 9" (230 mm) AFF	Floor mounted overhead braced Floor to ceiling	58" (1474 mm) to face	Integral No-Site design OR Continuous hinge Continuous bracket

VISIT BRADLEYCORP.COM FOR **BIM/REVIT AND TECHNICAL DOCUMENTS**



Commercial Washrooms. Brought to Life.

HANDWASHING & DRYING | ACCESSORIES | PARTITIONS | LOCKERS

bradleycorp.com

800 BRADLEY +1 262 251 6000

W142 N9101 Fountain Boulevard

Menomonee Falls, WI USA 53051