



# DIVISION 10 CATALOG

**Washroom Accessories from Bradley.**

One source to perfectly accessorize every application

[bradleycorp.com/commercial](http://bradleycorp.com/commercial)





## COMMERCIAL RESTROOM

### 8 Grab Bars

- 9 Grab Bars
- 11 Grab Bar Configurations

### 12 Aerix Hand Dryers

### 16 Towels & Waste

- 16 Towels Multi-Purpose
- 17 Waste Receptacles
- 24 Towel Dispensers
- 29 Towels + Waste Combination Units

### 35 Soap Dispensers

- 35 Verge Soap Dispensers
- 37 Deck-Mounted Soap Dispensers
- 39 Wall-Mounted Soap Dispensers

### 44 Mirrors & Shelves

- 44 Mirrors
- 48 Shelves

### 50 Toilet Paper Dispensers

- 50 Toilet Paper Dispensers
- 57 Combination Units

### 59 Seat Cover Dispensers

### 61 Napkin Disposals & Vendors

- 61 Napkin Disposals
- 65 Napkin/Tampon Vendors

### 66 Child Care Solutions

## SPECIALTY APPLICATIONS

### 67 Shower Products

- 67 Shower Seats
- 69 Shower Curtains, Hooks + Rods

### 71 Security

- 71 Hooks
- 72 Grab Bars
- 73 Mirrors
- 73 Soap Dishes
- 74 Toilet Paper Holders

### 75 Hospitality

- 75 Toothbrush Holders
- 75 Towel Bars & Shelves
- 77 Soap Dishes
- 77 Facial Tissue Dispensers
- 78 Hooks
- 80 Towel Rings
- 81 Miscellaneous

### 82 Custodial

### 84 Health Care

### 86 Euro Style Partitions

### 88 Bradley Partitions

### 90 Phenolic Lockers

### 91 Lenox® Lockers

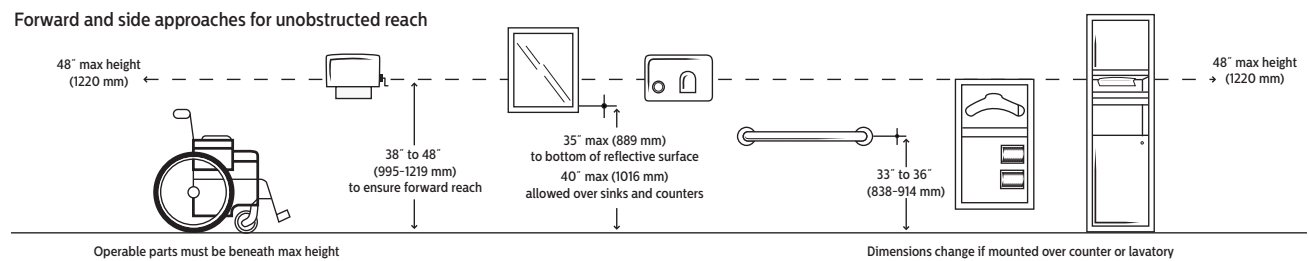
### 92 Maintenance Instructions

### 94 Index

# BRADLEY WASHROOM ACCESSORIES WARRANTY

Product warranties may be found on [bradleycorp.com](http://bradleycorp.com)

## ACCESSIBILITY GUIDELINES



**Note:** Information from the ADA-ABA Accessibility Guidelines for Buildings and Facilities found on The United States Access Board website: <http://www.access-board.gov/>

## BradEX<sup>®</sup> SHIPPING PROGRAM

**BX** Icon next to a model number indicates a BradEX<sup>®</sup> item.

All products designated as BradEX<sup>®</sup> products will ship three business days after the date the order has been entered and acknowledged by the Bradley Company. Standard shipping terms apply.

**Please note:** The entire order must consist of BradEX products to qualify for three business day shipping.

Need it faster? One day shipping is available with the Rush Express (BX-RX) shipment option. Maximum quantities apply, please contact your local Bradley representative for further information.

# WASHROOM ACCESSORY SERIES



Elvari

Modern look with smooth curves and soft edges to elevate your design, stainless steel



Diplomat™

Unique dual-curve geometry, stainless steel



Contemporary

Cleaner stainless steel front, no visible frame, attractive curved openings




Standard


Standard look: framed, rectangular, stainless steel

## Catalog Icon Key

 Elvari Collection

 BradEx Shipping

 ADA Compliant

 Bariatric Weight Rated




elvari

## Discover the Elvari™ Collection from Bradley.


Bradley's complete suite of new washroom accessories creates a cohesive and modern look to elevate commercial washroom designs. The euro style design brings smooth curves and soft edges to the entire collection — from grab bars, paper dispensers and receptacles to LED mirrors, shelves and soap dispensers. It is sure to inspire.

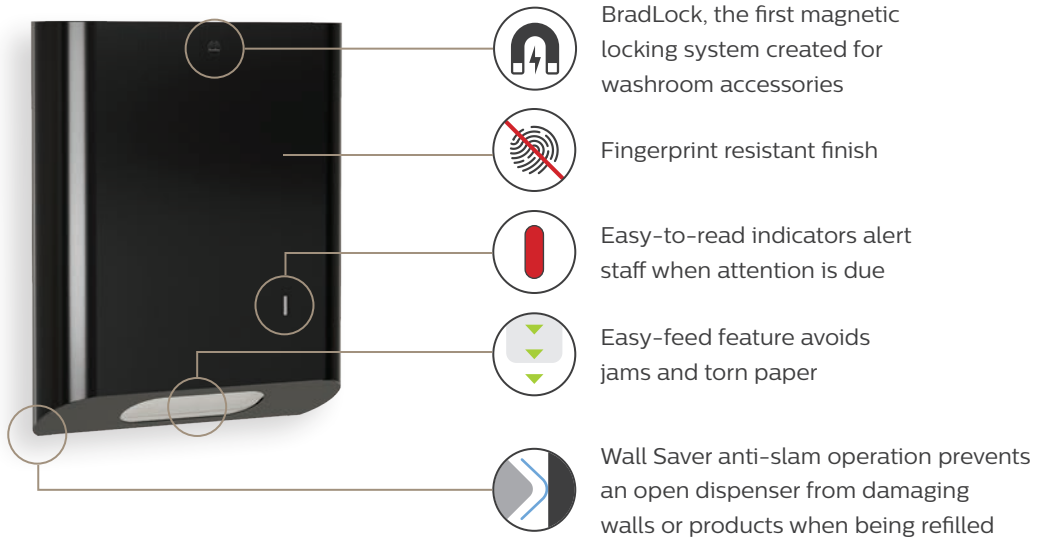
Offering the widest range of coordinated commercial grade stainless steel accessories, this line is built to impress. In addition to the current satin finish stainless steel, Elvari models are now available in five popular colors using an exclusive, proprietary electrocoat color process. Each product in the Elvari collection embodies modern sophistication. The minimalist design of the accessories will seamlessly integrate into any commercial washroom setting whether a boutique hotel, high-end retail store, upscale restaurant or corporate office.

**With the complete ensemble of Elvari washroom accessories, designers will discover the Beauty of Unity, there is no equal.**

 Model numbers marked with this icon are from the Elvari collection.



-  **Brushed Black**
-  **Brushed Bronze**
-  **Brushed Brass**
-  **Brushed Nickel**
-  **Brushed Stainless**
-  **Satin Stainless**



All Bradley Grab Bars are designed for safety and security of the physically disabled, and feature the 1.5" (38 mm) safety clearance recommended by Barrier-Free design experts and required under most codes.

**ANCHORING DEVICES**

Building construction will govern the type of anchorage required.

**Note:** All mounting kits must be specified as optional extras. Order one kit for each flange.

See technical data for details.

Bradley will design and manufacture modified bars to satisfy unique installation applications. Contact your local Bradley representative for information.



**FEATURES**

- Heavy-duty, 18-gauge stainless steel tubing
- Meets or exceeds requirements of ANSI Standard A117.1, ADA and ABA Accessibility Guidelines for Buildings and Facilities (ADAAG) and Uniform Federal Accessibility Standard (UFAS)
- Select configurations of the 812 series meet bariatric load requirements of the American Society of Healthcare Engineers (ASHE) 2010 guidelines for design and construction of healthcare facilities
- Attractive satin finish, peened finish or polished peened finish
- Easy to install with optional anchoring devices

**HOW TO SPECIFY GRAB BARS**

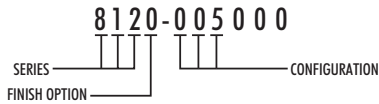
1. Select Series Number (812, 817, 832, etc.)

HEAVY-DUTY SERIES			
Mounting	1.5" (38 mm) diameter	1.25" (32 mm) diameter	1" (25 mm) diameter
Concealed	812	832	852

2. Select Finish Option (standard, peened, etc.)

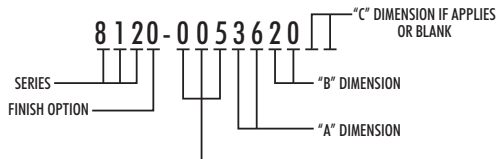
FEATURE	ADD SUFFIX
Standard	0
Peened Finish	2

3. Select Grab Bar Configuration (001, 002, 005, etc.)



4. Select Dimensions Required

If no modifications are required to the dimensions, an example of the Part No. is:

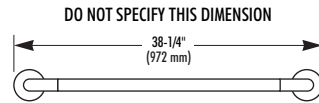
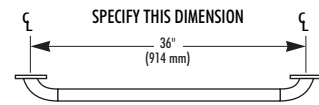


Always list dimensions in alphabetical order (i.e., 36" x 20" (914 mm x 508 mm))

**Note:** If modifications are required to the dimensions other than A, B or C, or if fractions are needed, contact Bradley for a submittal and special number. Unless otherwise stated, stand-off will be on long section of bar. All dimensions shown in diagrams are from wall to centerline of mounting flange or centerline of grab bar. Standard clearance is 1.5" (38 mm).

**HOW TO MEASURE GRAB BARS**

All Grab Bar Configurations are specified using centerline to centerline dimensions.



1. Obtain length of side bars:  
Side wall dimension - (Safety clearance 1.5" (38 mm) + 1/2 Diameter of Grab Bar + 2" (51 mm))
2. Obtain back bar dimension:  
Back wall dimension - (Safety clearance 1.5" (38 mm) + 1/2 Diameter of Grab Bar x 2" (51 mm))  
Example: 812 Series Grab Bar:  
If wall dimensions are 30" (762 mm) side x 58" (1473 mm) back, then:  
Sides: 30" - (1.5" + .75" + 2") = 25.75"  
(762 mm - (38 + 19 + 51 mm) = 654 mm)  
Back: 58" - (1.5" + .75" x 2") = 53.5"  
(1473 mm - (38 + 19 x 51 mm) = 1359 mm)  
Grab Bar dimensions would be 25.75" x 53.5"  
(654 x 1359 mm)





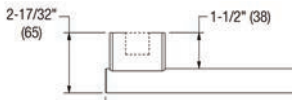
**NEW 8B1 SERIES**



Oval grab bar of 1.5625" (40 mm) O.D., 18-gauge, 300 series stainless steel, seamless construction with exposed surfaces in a brushed #3 satin finish or optional electrocoat finishes.

-96 with optional hooks

See technical data for BradEX sizes **BX**



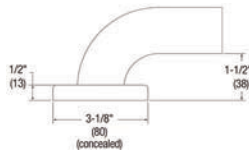
**812 SERIES**



Grab bar of 1.5" (38 mm) O.D., 18-gauge stainless steel, seamless construction with exposed surfaces in architectural satin finish. Mounting flanges concealed by snap-on escutcheons.

-2 Peened Finish

See technical data for BradEX sizes **BX**



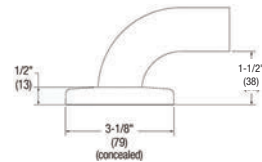
**832 SERIES**



Grab bar of 1.25" O.D. (32 mm), 18-gauge stainless steel, seamless construction with exposed surfaces in architectural satin finish. Mounting flanges concealed by snap-on escutcheons.

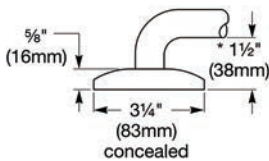
-2 Peened Finish

See technical data for BradEX sizes **BX**



**852 SERIES**

Grab bar of 1" O.D. (25 mm), 18-gauge stainless steel, seamless construction with exposed surfaces in architectural satin finish. Concealed mounting flanges.

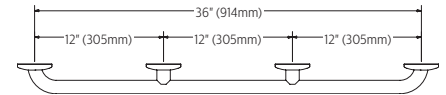


**8320-106360**



1.25" O.D. (32 mm), 18-gauge stainless steel with exposed surfaces in architectural satin finish. Grab bar is 36" in length with 4 wall flanges that are made of 13-gauge stainless steel. Bent ends of tubing pass thru the flanges and are welded for maximum strength. Intermediate supports are contour cut and joined by welding to form an integral part of the grab bar.

-2 Peened Finish

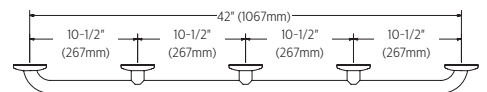


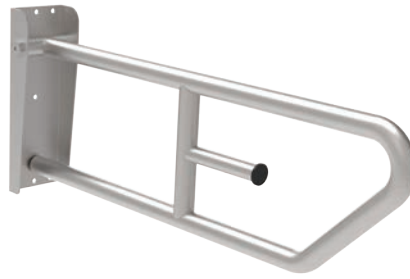
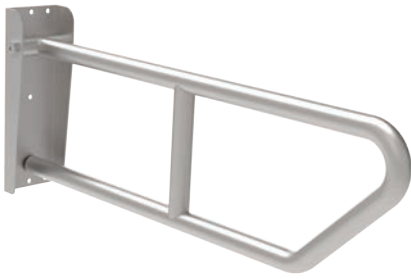
**8320-106420**



Grab bar is 42" in length with 5 wall flanges that are made of 13-gauge stainless steel.

-2 Peened Finish



**8370-107**

Swing-up grab bar swings up when not in use. Designed to prevent it from accidentally falling into position. Operates with less than 5 lb (2.3 Kg) of force.

1.25" O.D. (32 mm), 18-gauge stainless steel with exposed surfaces in architectural satin finish. Bar projects 30-1/8" (765 mm) from wall when in horizontal position. Sleek, smaller wall-plate to comply with state of CT ICC/ANSI A117.1 - 2003.

-2 Peened Finish

**8370-108**

Swing-up grab bar with integral tissue dispenser. Swings up when not in use. Operates with less than 5 lb (2.3 Kg) of force.

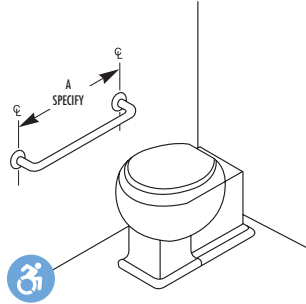
1.25" O.D. (32 mm), 18-gauge stainless steel with exposed surfaces in architectural satin finish. Tissue dispenser spindle of ABS plastic with concealed spring. Bar projects 30-1/8" (765 mm) from wall when in horizontal position. Sleek, smaller wall-plate to comply with state of CT ICC/ANSI A117.1 - 2003.

-2 Peened Finish

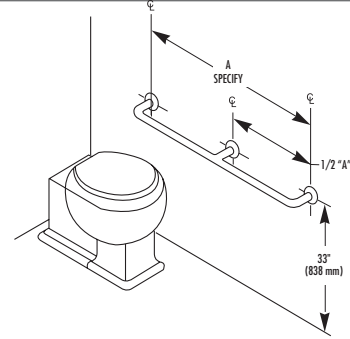
# TYPICAL WATER CLOSET APPLICATIONS

## 001

Model 812 (54" max)  
 Model 832 (48" max)  
 Model 852 (24" max)

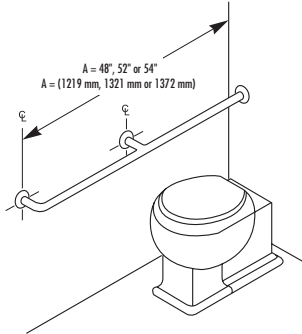


## 002



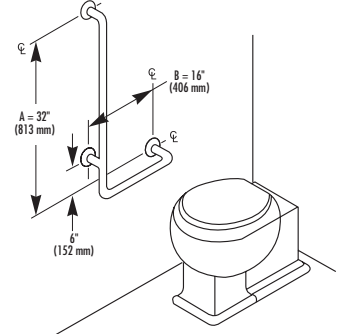
## 003

Standard lengths 48", 52" or 54"  
 (1219, 1321 or 1372 mm). Only  
 one end return. Special size  
 "A" dimensions, center post  
 will only be added to models  
 greater than 24" (610 mm).



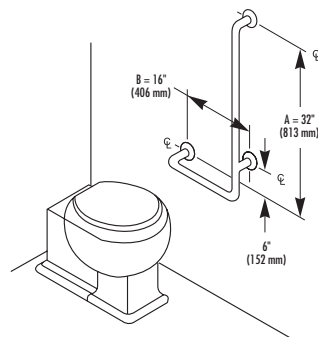
## 005

"A" dimension will always  
 have stand-off.



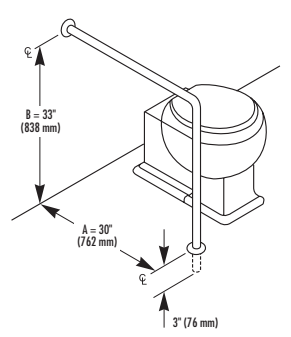
## 006

Opposite 005  
 "A" dimension will  
 always have stand-off.



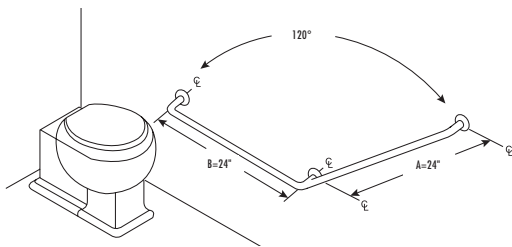
## 054

30" x 33" (762 x 838 mm)  
 Note: 1" (25 mm) not available  
 for this application.  
 Select dimensions can support  
 up to 1,000 lb (454 Kg).



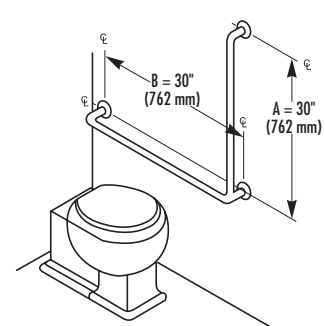
## 055

Select dimensions can support up to 1,000 lb (454 Kg).



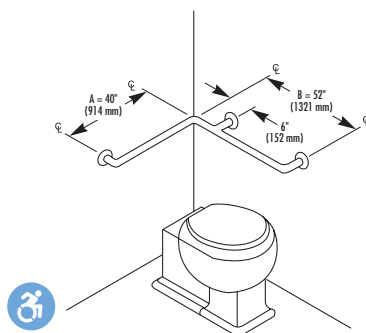
## 057

30" x 30"  
 (762 x 762 mm)













## 058

Universal mounting for both  
 Left-Hand and Right-Hand  
 applications. B side will have  
 stand-off. Select dimensions can  
 support up to 1,000 lb (454 Kg).



Clean. Efficient. Fast. Bradley's complete line of Aerix® hand dryers cover any application or budget. These dryers reduce paper towel and energy costs, protect the environment, keep noise levels down and are easy to use and maintain. Aerix+ dryers incorporate the latest technology for the fastest drying times available.

DRYER LINE		AERIX +			AERIX				
TRAFFIC		VERY HIGH			HIGH		MEDIUM		
MODEL									
	 2B4-2110000 2B4-2110049	2923-2874 2923-28B 2923-28W	2921-S0000H	2922-2873 2922-2874	2901-2873 2901-2874	2902-2874	2903-2800	2904-2800	2905-2873
ADJUSTABLE SPEED	.	.	.	.	.	.			
ADA	.	.	.			.			
UNIVERSAL VOLTAGE	.	.			.	.			
RETROFIT	.	.	.	.	.	.	.	.	.
VANDAL RESISTANT	.	.	.	.	.	.	.	.	
DRYING TIME (SECONDS)	10-15	10-12	10-12	10-12	12-15	12-15	29	29	38
ANTIMICROBIAL TECHNOLOGY	.	.	.	.					
HEPA FILTRATION	.	.	.						
APPLICATION	Any Environment	Any Environment	Stadiums & Arenas, Schools, Transit Stations, Airports	Stadiums & Arenas, Schools, Transit Stations, Airports	Offices, Schools, Libraries, Malls, Theme Parks, Movie Theaters	Malls, Restaurants, Hotels, Spas, Museums, Movie Theaters	Schools, Fast Food Restaurants, Manufacturing Facilities	Schools, Rest Areas, Campgrounds	Childcare Facilities, Religious Facilities, Small Offices



**NEW 2B4-110000**



No-touch operation. 60 second auto shutoff timing protection, adjustable sensor range. LED indicator will illuminate when unit is activated. ADA slim profile, surface-mounted hand dryer constructed from 20-gauge, 300 series stainless steel in a brushed #3 satin finish or optional electrocoat finishes. 110-120V

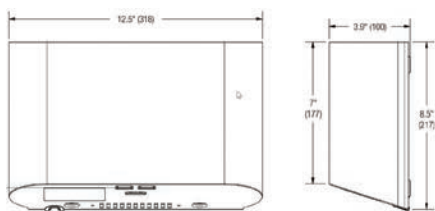
See technical data for BradEx options **BX**

Overall dimensions 8.5" H x 12.5" W x 3.9" D (217 x 318 x 100 mm)

**NEW 2B4-110049**

220-240V

See technical data for BradEx options **BX**



**NEW 2923-287401**

Extremely energy efficient, with adjustable two-speed motor controls and universal voltage features, these new hand dryers accommodate any commercial washroom environment. Fast drying time. SteriTouch® antimicrobial technology. HEPA filter reduces contaminants in the air when hand drying. Sound level and energy savings. 1/16" (2 mm) thick one-piece stainless steel; satin finish.

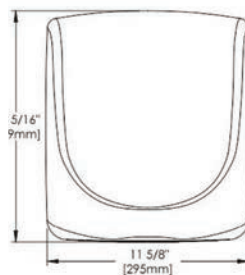
Overall dimensions: 13.3125" H x 11.625" W x 3.875" D (338 x 295 x 99 mm)

**NEW 2923-28W001**

1/8" (3 mm) thick one-piece aluminum; white epoxy finish

**NEW 2923-28S001**

1/8" (3 mm) thick one-piece aluminum; black epoxy finish

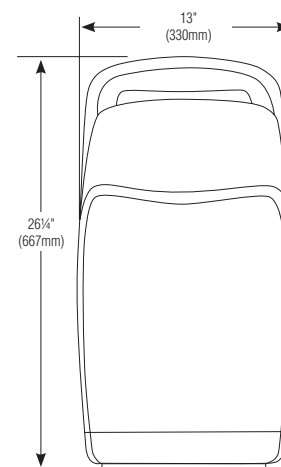


**2921-S0000H**



Aerix+ high speed, vertical dual-sided dryer. Surface-mounted. Adjustable speed. High-impact ABS cover in silver. 10-12 second dry time. 25% greater hand drying opening for more space. Easy-to-empty water collection reservoir for clean floors and walls. Replaceable HEPA filter.

Overall dimensions 13" W x 26.25" H x 9.25" D (330 x 667 x 235 mm)





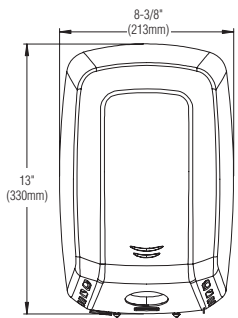
**2901-2873**

Surface-mounted. One-piece steel cover with white epoxy finish. 12-15 second dry time. Universal voltage. Adjustable speed. Quieter operation than other dryers on the market.

Overall dimensions: 8.4" W x 13" H x 6.6875" D (213 x 330 x 170 mm)

**2901-2874**

Surface-mounted. Stainless steel cover with satin finish.



**2902-280000**

Aerix adjustable speed dryer with 0.1875" (5 mm) thick porcelain cast iron cover, white. Adjustable speed hand dryer. "No-Touch" sensor operation. 12-15 second drying time. Universal voltage. Vandal-resistant. Surface-mounted Mounting holes match those of most popular models.

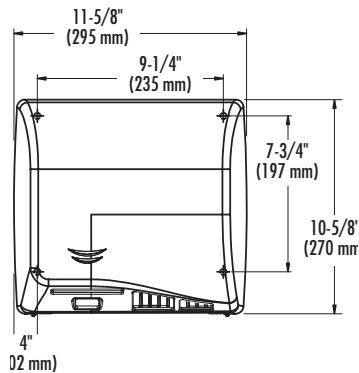
Overall dimensions: 11.375" W x 10.6" H x 4" D (289 x 269 x 102 mm)

**2902-287300**

0.0625" (2 mm) thick white enamel coated steel cover.

**2902-287400**

0.0625" (2 mm) thick stainless steel cover with satin finish.



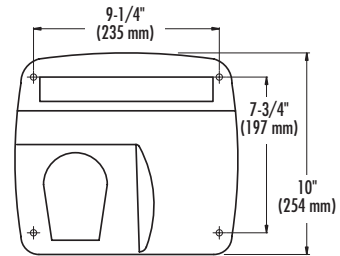
**2903-280000**

Infrared sensor activation. Cast iron cover, white. 29 second drying time. Surface-mounted Mounting holes match those of most popular models.

Overall dimensions: 11.125" W x 10" H x 8.25" D (283 x 254 x 210 mm)

**2904-280000**

Push button activation. Cast iron cover, white.

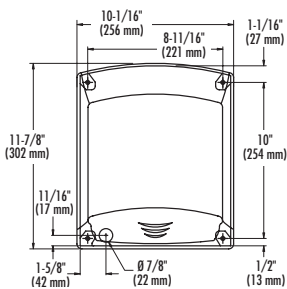




**2905-287300**

Modern design. "No-Touch" sensor activation. Steel cover. 38 second drying time. Ideal for medium-to-low traffic and medium-to-low vandal applications.

Overall dimensions: 10.167" W x 11.875" H x 5.5" D (258 x 302 x 140 mm)



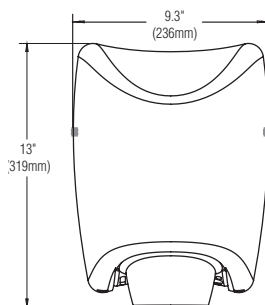
**BX 2922-2873**

Aerix+ high speed, vertical dual-sided dryer. Surface-mounted. Adjustable speed. White cast aluminum cover with epoxy paint. 10-12 second dry time. The longest service life of any high speed hand dryer. Uses 40% less energy than any high speed hand dryer.

Overall dimensions: 9.3" W x 13" H x 7.6" D (236 x 330 x 193 mm)

**2922-2874**

Surface-mounted. Stainless steel finish cover with satin finish.

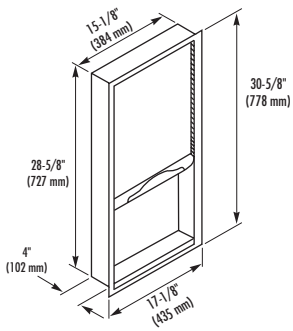


You need options and we have them. Accessories to fit every washroom – and every budget. Contemporary satin finish stainless steel design to match any decor in recessed, semi-recessed and surface-mounted styles. From stylish restaurants and office buildings to schools and recreation centers, Bradley's line of accessories will fit any application.



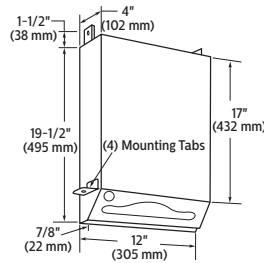
155

Mirrored door 15" W x 18" H (381 mm x 457 mm).  
 800 multi-fold or 600 C-fold towel capacity.  
 -10 Semi-recessed projects 2" (51 mm) from wall  
 -11 Surface-Mounted projects 4" (102 mm) from wall  
 Rough wall opening: 15.625" W x 29.125" H x 4" D  
 (397 x 740 x 102 mm)



1981

In-wall mounted towel dispenser for use behind mirror. Dispenses 800 multi-fold or 600 C-fold towels. Lock secures behind hinged dispenser lip which opens for bottom refilling.  
 Rough wall opening: 12.5" W x 18.5" H x 4" D  
 (318 x 470 x 102 mm)



P10-636

Turn Knob Key changes any lock into a simple knob. Attaches permanently to any Bradley washroom accessory lock. Zinc die cast. Satin chrome finish. Turns any locked unit into a non-locked unit.



Bradley Waste Receptacles provide convenience and durability. Units are fabricated of stainless steel with exposed surfaces in architectural satin finish. Recessed units feature one-piece, stainless steel flanges of welded construction with seamless corners, burr-free edges and 0.25" (6 mm) return to conceal wall irregularities.



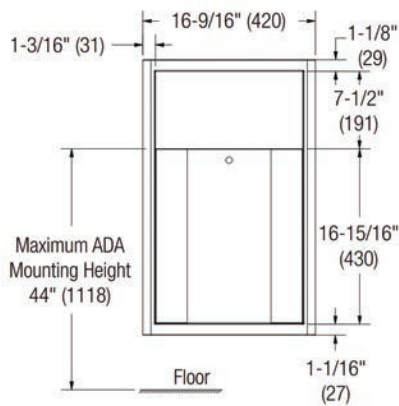
**NEW 3B1-003400**



Recessed, small capacity 8 gallon. 20-gauge, 300 series stainless steel in a brushed #3 satin finish or optional electrocoat finishes. Welded, D-shape construction. Bag retention ring holds liners in place and can serve as a handle.

-10 Semi-recessed

26.5625" H x 16.5625" W x 8.6875" D  
(675 x 420 x 220mm)



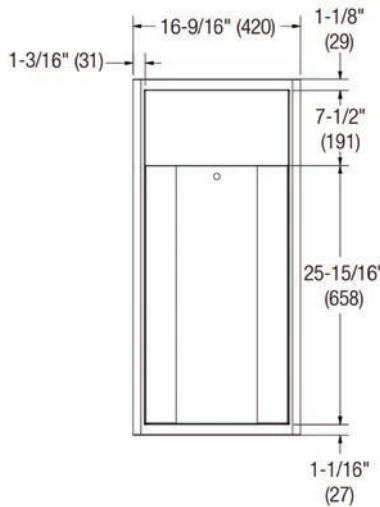
**NEW 3B1-000000**



Recessed, medium capacity 12 gallon. 20-gauge, 300 series stainless steel in a brushed #3 satin finish or optional electrocoat finishes. Welded, D-shape construction. Bag retention ring holds liners in place and can serve as a handle.

-10 Semi-recessed

35.5625" H x 16.5625" W x 8.6875" D  
(904 x 420 x 220mm)



**NEW 3B1-003600**

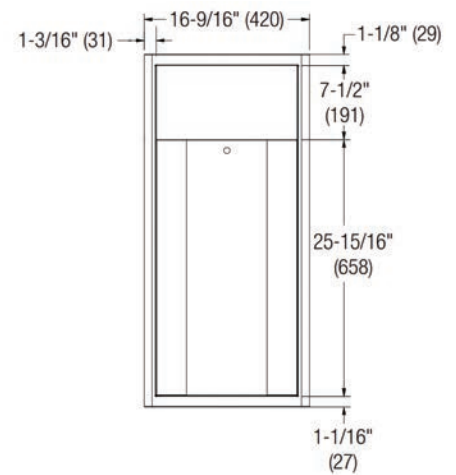


Recessed, large capacity 18 gallon. 20-gauge, 300 series stainless steel in a brushed #3 satin finish or optional electrocoat finishes. Welded, D-shape construction. Bag retention ring holds liners in place and can serve as a handle.

See technical data for BradEx options

-10 Semi-recessed **BX**

35.5625" H x 16.5625" W x 12.6875" D  
(904 x 420 x 321mm)





**NEW 3B1-113400**



**NEW 3B1-110000**



**NEW 3B1-113600**



Surface-mounted, small capacity 10 gallon.  
 20-gauge, 300 series stainless steel in a brushed #3 satin finish or optional electrocoat finishes.  
 Welded, pill-shape construction. Bag retention ring holds liners in place and can serve as a handle.

Surface-mounted, medium capacity 14 gallon.  
 20-gauge, 300 series stainless steel in a brushed #3 satin finish or optional electrocoat finishes.  
 Welded, pill-shape construction. Bag retention ring holds liners in place and can serve as a handle.

Surface-mounted, large capacity 18 gallon.  
 20-gauge, 300 series stainless steel in a brushed #3 satin finish or optional electrocoat finishes.  
 Welded, pill-shape construction. Bag retention ring holds liners in place and can serve as a handle.

See technical data for BradEx options

See technical data for BradEx options

See technical data for BradEx options

13.3125" H x 17" W x 12.75" D  
 (338 x 432 x 324mm)

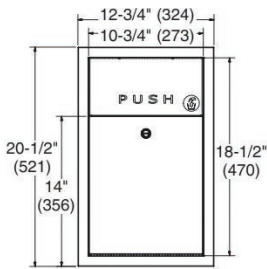
18.8125" H x 17" W x 12.75" D  
 (478 x 432 x 324mm)

23.3125" H x 17" W x 12.75" D  
 (592 x 432 x 324mm)



**NEW 369-11**

Surface-mounted, 1.7 gal (6.4 L), stainless steel waste receptacle with seamless exposed surfaces in satin finish. Leak-proof molded plastic.



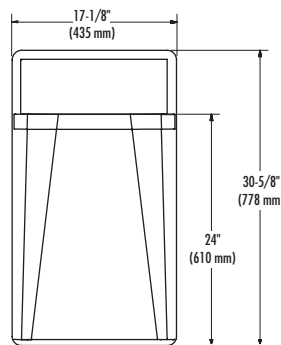
**3A05**

Designed with unique dual-curve geometry. Constructed of architectural satin finish stainless steel. 12 gal (45.4 L), removable, stainless steel waste receptacle. Secured to cabinet with tumbler lock. Recess-mounted.

-10 Semi-recessed 2" (51 mm) in wall, projects 6.6875" (170 mm) from wall

-11 Surface-Mounted projects 8.6875" (221 mm) from wall

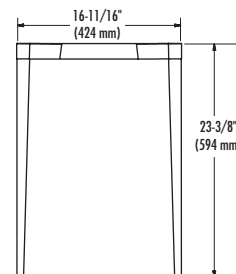
Rough wall opening: 15.75" W x 29.1875" H x 4" D (400 x 741 x 102 mm)



**3A15-11**

Designed with unique dual-curve geometry. Constructed of architectural satin finish stainless steel. 16.5 gal (62.5 L), stainless steel waste receptacle.

Unit measures 16.6875" W x 23.375" H x 11.6875" D (424 x 594 x 297 mm)



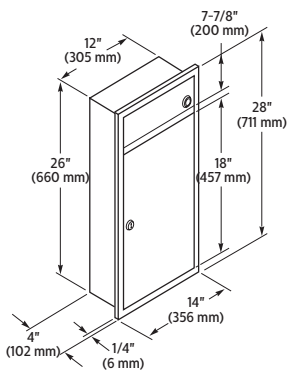


**3251**

Recessed unit with 2.8 gal (10.6 L), removable, leak-proof, molded-plastic, waste receptacle insert. Tumbler lock. Push-flap door with full-length piano hinge covers receptacle opening.

- 10 Semi-recessed 2" (51 mm) in wall, projects 2" (51 mm) from wall
- 11 Surface-Mounted projects 4" (102 mm) from wall

Rough wall opening: 12.5" W x 26.5" H x 4" D  
(318 x 673 x 102 mm)

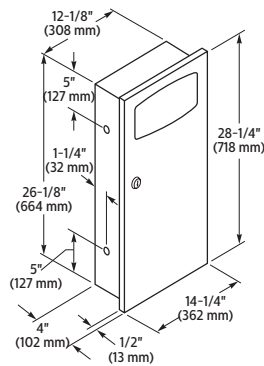


**3257**

Recessed unit with push-flap door and 2.8 gal (10.6 L), removable, leak-proof, molded-plastic insert.

- 10 Semi-recessed 2" (51 mm) in wall, projects 2" (51 mm) from wall
- 11 Surface-Mounted projects 4" (102 mm) from wall

Rough wall opening: 12.625" W x 26.625" H x 4" D  
(321 x 676 x 102 mm)

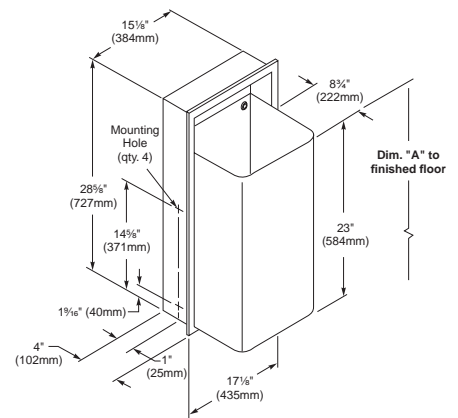


**334**

Recessed waste receptacle shall be fabricated of heavy-gauge stainless steel with seamless exposed surfaces in satin finish. Removable 18 gal (68.1 L) stainless steel waste receptacle. Heavy-duty vinyl liner is optional. Receptacle secured to cabinet with tumbler lock.

- 10 Semi-recessed 2" in wall, project 10.75" from wall
- 11 Surface-mounted projects 12.75" from wall

Overall dimensions: 17.125" W x 30.625" H x 12.75" D  
(435 x 778 x 324 mm)





344

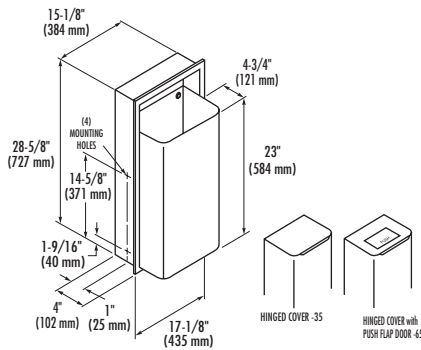
Recessed, 12-gallon, removable, stainless steel waste receptacle. Secured to cabinet with tumbler lock. Heavy-duty, reusable, 12 gal (45.4 L) liner available as an accessory. Order separately using part number P11-004.

-10 Semi-recessed 2" (51 mm) in wall, projects 6.75" (171 mm) from wall

-11 Surface-Mounted projects 8.6875" (221 mm) from wall

Rough wall opening: 15.625" W x 29.125" H x 4" D (397 x 740 x 102 mm)

Receptacle projects 4.75" (121 mm)



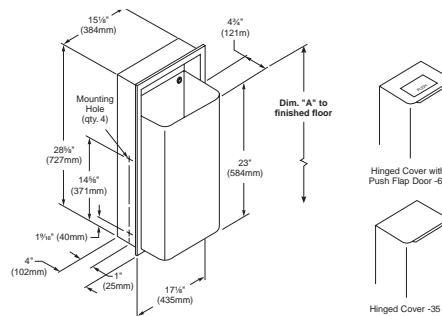
346

Recessed waste receptacle made of heavy-gauge stainless steel with seamless exposed surfaces and tumbler lock in satin finish. Removable 12 gal (45.4 L) stainless steel waste receptacle. Heavy-duty vinyl liner is optional. Tumbler lock.

-10 Semi-recessed 4" (102 mm) in wall, projects 4.75" (121 mm) from wall

-11 Surface-Mounted projects 8" (222 mm) from wall

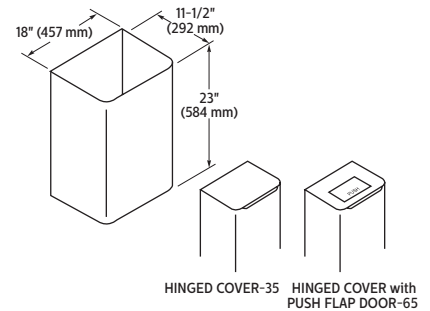
Rough wall opening: 15.625" W x 29.125" H x 6" D (397 x 740 x 102 mm)



355

Surface-mounted, 20.6 gal (78 L), stainless steel waste receptacle. Heavy-duty, reusable, 20.6 gal (78 L) liner available as an accessory. Order separately using part number P11-005.

Unit measures 18" W x 23" H x 11.5" D (457 x 584 x 292 mm)





**356**



**3565**

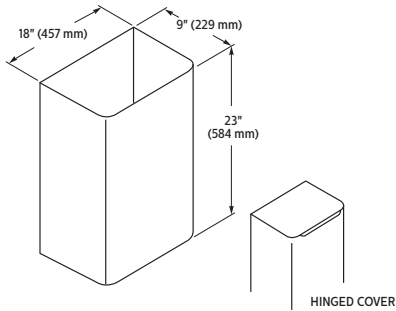


**357**

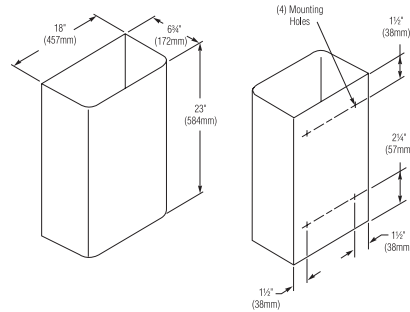


16.5 gal (62.5L), stainless steel waste receptacle. Heavy-duty, reusable, 16.5 gal (62.5L) liner available as an accessory. Order separately using part number P11-006.

Unit measures 18" W x 23" H x 9" D  
(457 x 584 x 229 mm)

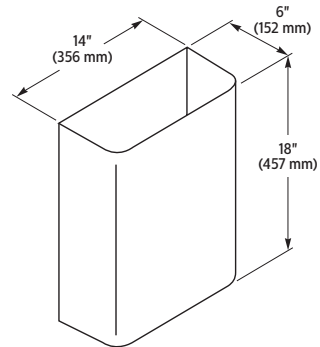


12 gal (45.4 L), stainless steel waste receptacle.



6.5 gal (24.6 L), stainless steel waste receptacle. Heavy-duty, reusable, 6.5 gal (24.6 L) liner available as an accessory. Order separately using part number P11-007.

Unit measures 14" W x 18" H x 6" D  
(356 x 457 x 152 mm)





**377**



Freestanding, 13 gal (49.2 L), stainless steel waste receptacle. Removable swing top.

Unit measures 29.5" H x 12.5" SQ (749 x 318 mm)



**377-36**

Freestanding, 21 gal (79.5 L), stainless steel waste receptacle. Removable swing top.

Unit measures 37.5" H x 14" SQ (953 x 356 mm)



**377-38**

Freestanding, 36 gal (136.3 L), stainless steel waste receptacle. Removable swing top.

Unit measures 37.5" H x 18" SQ (953 x 457 mm)

**377-37**



Less swing top

**377-3637**



Less swing top

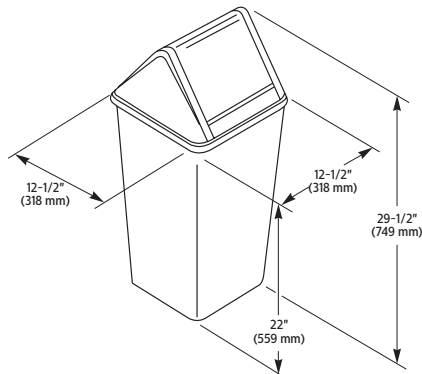
**377-3738**



Less swing top

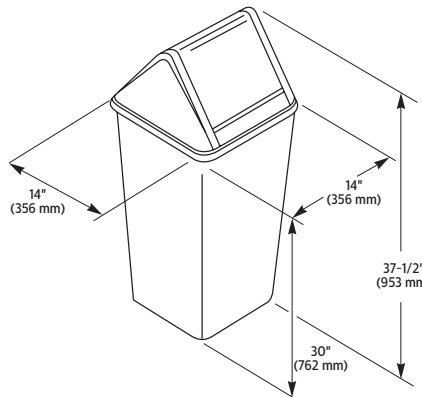
**P15-025**

Cover only



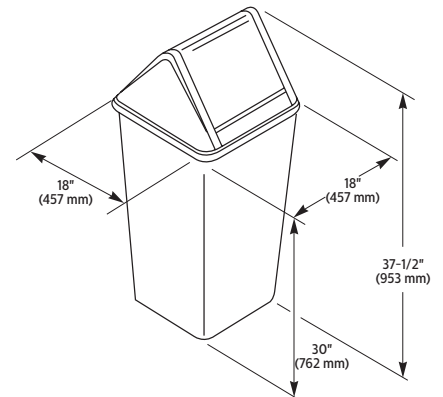
**P15-098**

Cover only



**P15-195**

Cover only



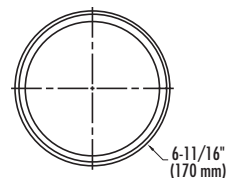
**P10-696**



Unit fabricated of stainless steel of drawn seamless construction and bright polished finish.

Countertop rough-in: 6" (152 mm) diameter hole

Overall dimensions: 6.75" diameter x 3.5"D (171 x 89 mm)





**NEW 2B1-113400**



**NEW 2B1-110000**



**NEW 2B1-113600**



Surface-mounted, small capacity. Towel dispenser holds C-fold or multi-fold towels. BradLock magnetic locking system, low level indicator, Wall Saver technology, easy-feed operation. Approximately 400 folded paper towels.

Surface-mounted, medium capacity. Towel dispenser holds C-fold or multi-fold towels. BradLock magnetic locking system, low level indicator, Wall Saver technology, easy-feed operation. Approximately 500 folded paper towels.

Surface-mounted, large capacity. Towel dispenser holds C-fold or multi-fold towels. BradLock magnetic locking system, low level indicator, Wall Saver technology, easy-feed operation. Approximately 800 folded paper towels.

See technical data for BradEx options **BX**

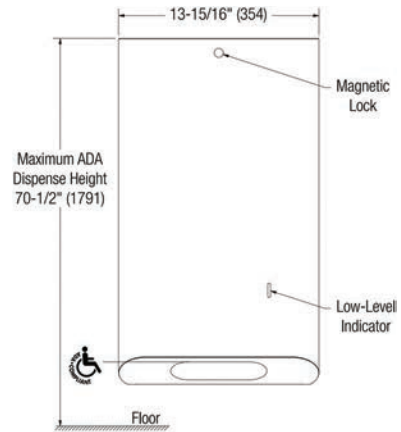
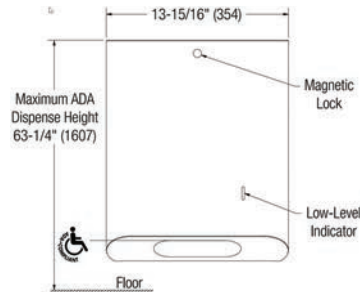
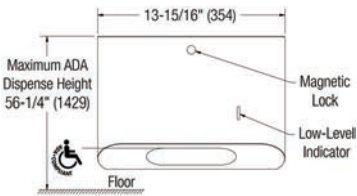
See technical data for BradEx options **BX**

See technical data for BradEx options **BX**

9.8125" H x 13.9375" W x 4" D  
(214 x 354 x 102mm)

16.8125" H x 13.9375" W x 4" D  
(427 x 354 x 102mm)

24.0625" H x 13.9375" W x 4" D  
(611 x 354 x 102mm)





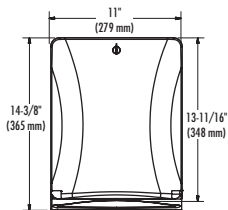


**2A10-11**



Designed with unique dual-curve geometry. Constructed of architectural satin finish stainless steel. Surface-mounted, paper towel dispenser. Dispenses 800 multi-fold or 600 C-fold towels.

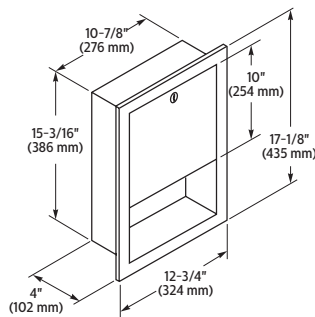
Unit measures 11" W x 14.375" H x 5.25" D (279 x 365 x 133 mm)



**2441**

Constructed of architectural satin finish stainless steel. Dispenses 475 multi-fold or 350 C-fold towels. -10 Semi-recessed 2" (51 mm) in wall, projects 2" (51 mm) from wall

-11 Surface-Mounted projects 4" (102 mm) from wall  
Rough wall opening: 11.375" W x 15.6875" H x 4" D (289 x 398 x 102 mm)

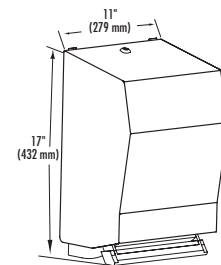


**2482-11**



Constructed of architectural satin finish stainless steel. Surface-mounted, roll paper towel dispenser. Push-bar operated. Baked-enamel towel dispenser mechanism. Unit dispenses non-perforated roll towels up to 8" (203 mm) in diameter and 8" (203 mm) wide with core sizes from 1.5" (38 mm) to 2" (51 mm).

Unit measures 11" W x 17" H x 10.5" D (279 x 432 x 267 mm)

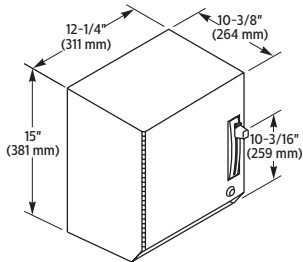




**2483**

Constructed of architectural satin finish stainless steel. Surface-mounted, roll paper towel dispenser. Lever operated. Dispenses one standard core 8" (203 mm) or 9" (229 mm) wide x 800' (243.9 M) long paper towel roll.

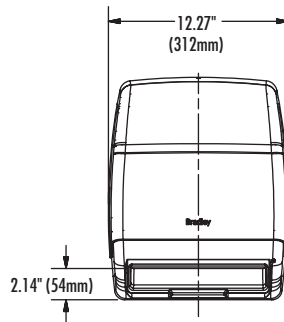
Unit measures 12.25" W x 15" H x 10.375" D  
(311 x 381 x 264 mm)



**2494**

Constructed of high-impact material. Door is translucent and fabricated from durable high-impact plastic. Dispenses nonperforated roll towels up to 8" (203 mm) in diameter and 8" (203 mm) wide with core sizes from 1.5" (38 mm) to 2" (51 mm). Dispenser also allows for 3" (76 mm) diameter stub roll. Operates with 4 "D" size alkaline batteries. Batteries are not included. Automatic transfer system will integrate stub roll when the primary is nearly depleted. Low battery indicator. Sheet is fully protected until dispensed. The transfer system, roll holders and door are field replaceable. Complies with FCC regulation on EMC.

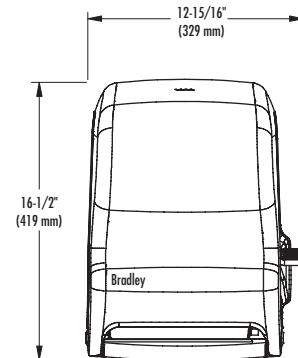
Unit measures 12.4375" W x 15.75" H x 9.5" D  
(316 x 400 x 241 mm)



**BX 2495**

Constructed of high-impact plastic. Black translucent cover with speckled gray base. Black plastic handle is treated with Bio-Pruf® to inhibit bacteria growth. Dispenses one 8" (203 mm) wide paper towel roll and one 4" (102 mm) partial (stub) roll. 1.5" (38 mm) core diameter. Lever-operated dispensing mechanism will provide an adjustable means to dispense a nominal 5" (127 mm), 4" (102 mm) or 2.5" (64 mm) of toweling per lever stroke. Toweling will only be dispensed with the downward stroke of the lever.

Unit measures 12.9375" W x 16.5" H x 9.25" D  
(329 x 419 x 235 mm)

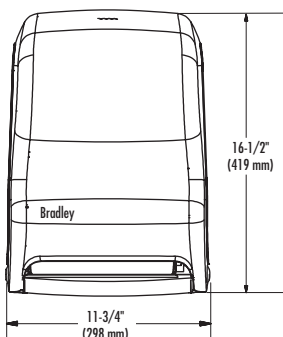




2496

Constructed of high-impact material. Door is translucent and fabricated from durable high-impact plastic. Dispenses nonperforated roll towels up to 8.5" (216 mm) in diameter and 8" (203 mm) wide with core sizes from 1.5" (38 mm) to 2" (51 mm). Dispenser also allows for 4" (102 mm) diameter stub roll. A 10" (254 mm) towel will be dispensed every time the sensor is activated. Operates with 4 "D" size alkaline batteries (not included). Automatic transfer system will integrate stub roll when the primary is nearly depleted. A flashing red indicator light indicates that batteries need to be replaced.

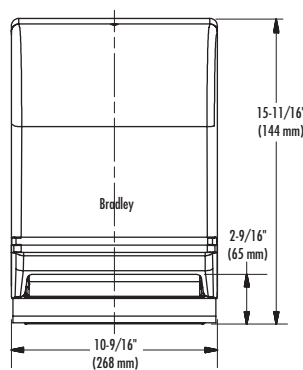
Unit measures 11.75" W x 16.5" H x 9.25" D  
(298 x 419 x 235 mm)



BX 2497

Constructed of high-impact plastic. Fiberglass-reinforced ABS plastic push lever. Dispenses non-perforated paper towels from 8" (203 mm) wide roll with core sizes from 1.5" (38 mm) to 2" (51 mm) diameter. Dispenser also allows for 4" (102 mm) diameter stub roll. The push lever dispensing mechanism delivers 5.5" (140 mm) of toweling with each stroke.

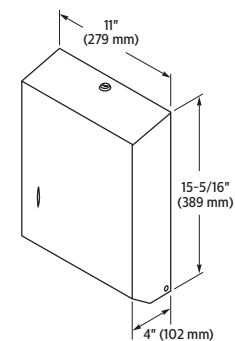
Unit measures 10.5625" W x 15.6875" H x 8.625" D  
(268 x 398 x 219 mm)



BX 250-15

Constructed of architectural satin finish stainless steel. Surface-mounted, paper towel dispenser. Dispenses 525 multi-fold or 400 C-fold towels. Tumbler lock and bottom hinged. Refill indicator on cabinet face.

Unit measures 11" W x 15.3125" H x 4" D  
(279 x 389 x 102 mm)





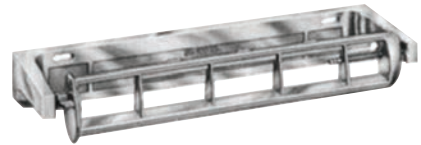
251-15



252

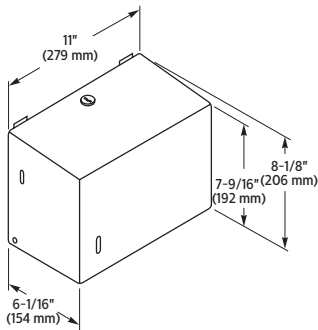


259



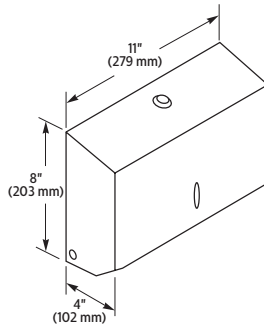
Constructed of architectural satin finish stainless steel. Surface-mounted, paper towel dispenser. Dispenses 400 single-fold towels. Tumbler lock and bottom hinged. Refill indicator on cabinet face.

Unit measures 11" W x 8.125" H x 6.0625" D  
(279 x 206 x 154 mm)



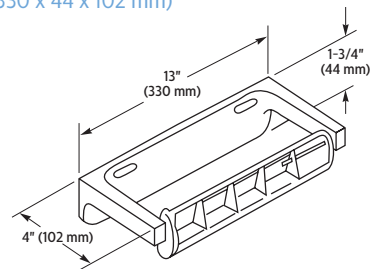
Constructed of architectural satin finish stainless steel. Surface-mounted, paper towel dispenser. Dispenses 350 multi-fold or 200 C-fold towels. Cabinet secured with tumbler lock and hinges at bottom. Refill indicator on cabinet face.

Unit measures 11" W x 8" H x 4" D  
(279 x 203 x 102 mm)



Surface-mounted, roll paper towel dispenser. Constructed of die-cast aluminum. Controlled delivery mechanism. Spring allows spindle to be released for filling. Holds one standard core roll paper towels to 6" (152 mm) diameter x 11" (279 mm) wide.

Unit measures 13" W x 1.75" H x 4" D  
(330 x 44 x 102 mm)



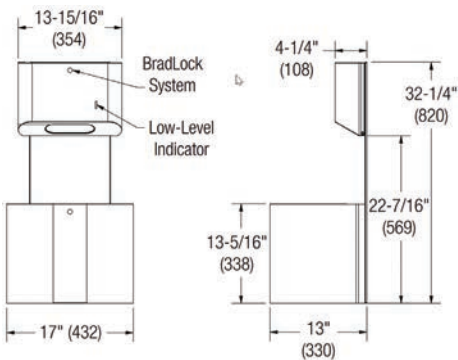


**NEW 2B5-113400**



Surface-mounted, small capacity 10 gallon/400 folded paper towel. 20-gauge, 300 series stainless steel in a brushed #3 satin finish or optional electrocoat finishes. BradLock magnetic locking system, low level indicator, Wall Saver technology, easy-feed operation. Holds approximately 400 folded paper towels. Waste receptacle is removable for servicing by lifting the bag retention ring/handle.

32.25" H x 17" W x 13" D  
(819 x 249 x 330mm)

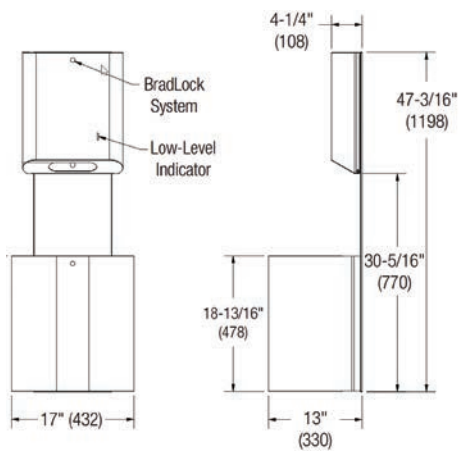


**NEW 2B5-110000**



Surface-mounted, medium capacity 14 gallon/500 folded paper towel. 20-gauge, 300 series stainless steel in a brushed #3 satin finish or optional electrocoat finishes. BradLock magnetic locking system, low level indicator, Wall Saver technology, easy-feed operation. Holds approximately 400 folded paper towels. Waste receptacle is removable for servicing by lifting the bag retention ring/handle.

See technical data for BradEx options **BX**  
47.1875" H x 17" W x 13" D  
(1198 x 249 x 330mm)

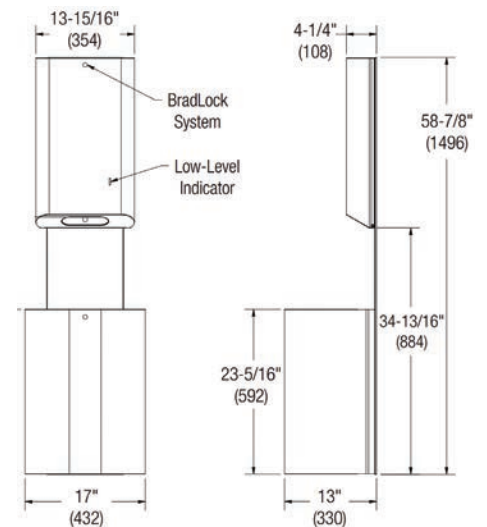


**NEW 2B5-113600**



Surface-mounted, large capacity 18 gallon/800 folded paper towel. 20-gauge, 300 series stainless steel in a brushed #3 satin finish or optional electrocoat finishes. BradLock magnetic locking system, low level indicator, Wall Saver technology, easy-feed operation. Holds approximately 400 folded paper towels. Waste receptacle is removable for servicing by lifting the bag retention ring/handle.

59" H x 17" W x 13" D  
(1496 x 249 x 330mm)





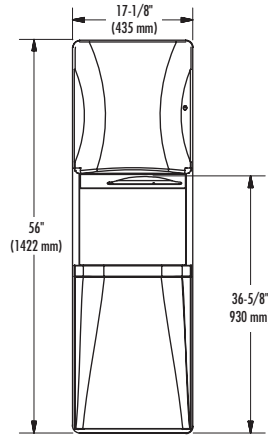
## 2A05



Designed with unique dual-curve geometry. Constructed of architectural satin finish stainless steel. Dispenses 800 multifold and 600 C-fold paper towels. 12 gal (45.4 L), stainless steel waste receptacle.

- 10 Semi-recessed 2" (51 mm) in wall, projects 6.6875" (170 mm) from wall
- 11 Surface-Mounted projects 8.6875" (221 mm) from wall

Rough wall opening:  
15.75" W x 54.5" H x 4" D  
(400 x 1384 x 102 mm)



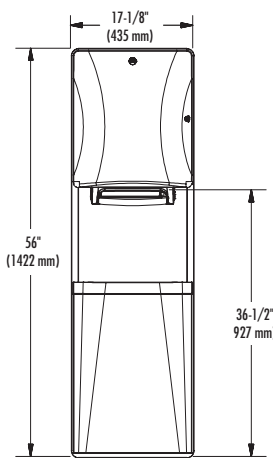
## 2017



Constructed of architectural satin finish stainless steel. Dispenses 1,100 single-fold, 800 multi-fold or 600 C-fold towels. Waste receptacle has push-flap door and 4.9 gal (18.5 L), removable, molded-plastic insert.

- 10 Semi-recessed 3.5" (89 mm) in wall, projects 2.5" (64 mm) from wall
- 11 Surface-Mounted projects 6" (152 mm) from wall

Rough wall opening: 11.75" W x 53.625" H x 5.75" D  
(298 x 1362 x 146 mm)



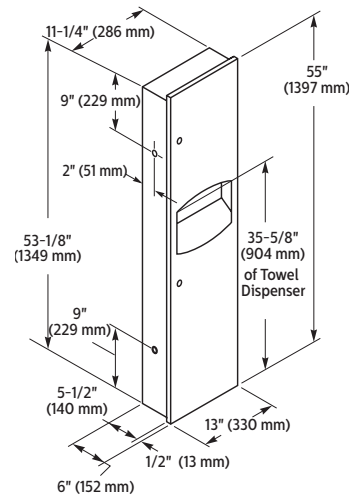
## 2A25-36



Sensor-activated roll paper towel dispenser delivers 10" (254 mm) per operation. Towel dispenser capacity is one standard core 8" (203 mm) W x 8" (203 mm) diameter standard roll paper towels. 21 gal (79.5 L) stainless steel waste receptacle.

- 1036 Semi-recessed 4" (102 mm) in wall, projects 10.6875" (271 mm) from wall
- 1136 Surface-Mounted projects 14.6875" (373 mm) from wall

Rough wall opening:  
15.625" W x 54.625" H x 9.875" D  
(397 x 1387 x 251 mm)





**2027**

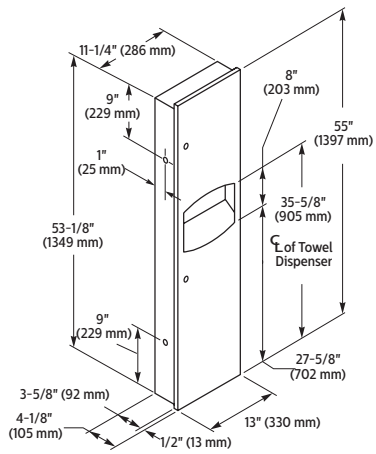


Constructed of architectural satin finish stainless steel. Dispenses 800 multi-fold or 600 C-fold towels. Waste receptacle has 3.3 gal (12.5 L), removable, molded-plastic insert.

-10 Semi-recessed 2.375" (60 mm) in wall, projects 2" (51 mm) from wall

-11 Surface-Mounted projects 4.375" (111 mm) from wall

Rough wall opening: 11.75" W x 53.625" H x 3.75" D (298 x 1362 x 146 mm)



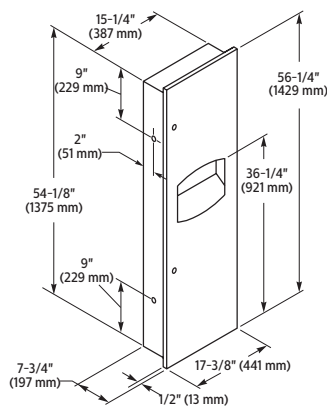
**2037**

Constructed of architectural satin finish stainless steel. Dispenses 1,100 single-fold, 800 multi-fold or 600 C-fold towels. Waste receptacle has 11.2 gal (42.4 L), removable, molded-plastic insert.

-10 Semi-recessed 3.75" (95 mm) in wall, projects 4" (102 mm) from wall

-11 Surface-Mounted projects 7.75" (197 mm) from wall

Rough wall opening: 15.75" W x 54.625" H x 7.5" D (400 x 1387 x 191 mm)



**2252**

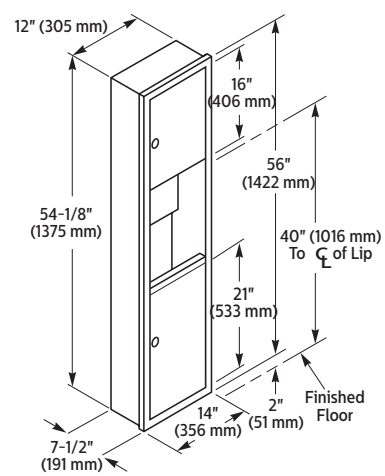


Constructed of architectural satin finish stainless steel. Adjustable towel guide dispenses 1,000 single-fold, 700 multi-fold or 400 C-fold towels. Waste receptacle has 4.9 gal (18.5 L), removable, leak-proof, molded-plastic insert.

-10 Semi-recessed 3.5" (89 mm) in wall, projects 4" (102 mm) from wall

-11 Surface-mounted projects 7.5" (191 mm) from wall

Rough wall opening: 12.5" W x 54.625" H x 7.5" D (318 x 1387 x 191 mm)





2291

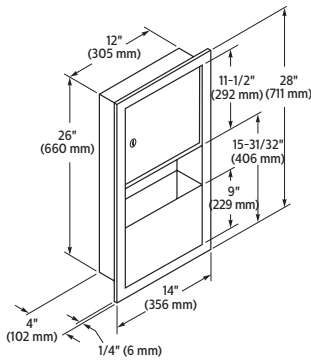


Constructed of architectural satin finish stainless steel. Dispenses 475 multi-fold or 350 C-fold towels. Waste receptacle has 2 gal (7.6 L), removable, stainless steel insert.

-10 Semi-recessed 2" (51 mm) in wall, projects 2" (51 mm) from wall

-11 Surface-mounted projects 4" (102 mm) from wall

Rough wall opening: 12.5" W x 26.5" H x 4" D (318 x 673 x 102 mm)



2297

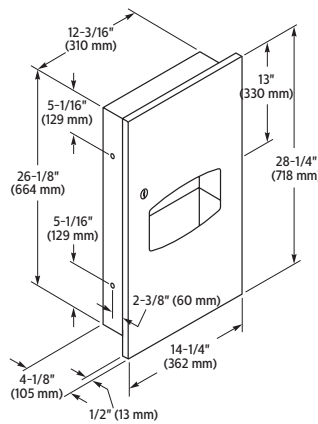


Constructed of architectural satin finish stainless steel. Dispenses 475 multi-fold or 350 C-fold towels. Waste receptacle has 1.7 gal (6.4 L), removable, molded-plastic insert.

-10 Semi-recessed 1.625" (41 mm) in wall, projects 2.5" (64 mm) from wall

-11 Surface-mounted projects 4.125" (105 mm) from wall

Rough wall opening: 12.6875" W x 26.625" H x 4" D (322 x 676 x 102 mm)

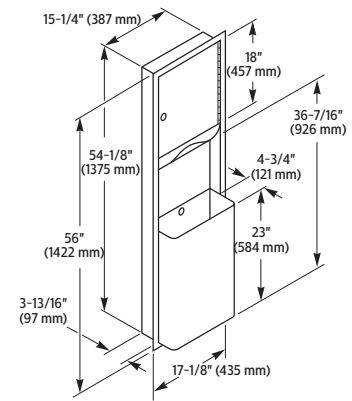


234



Constructed of architectural satin finish stainless steel. Dispenses 800 multi-fold or 600 C-fold towels. 12 gal (45.4 L), stainless steel waste receptacle is secured with tumbler lock.

Rough wall opening: 15.75" W x 54.5" H x 4" D (400 x 1384 x 102 mm)







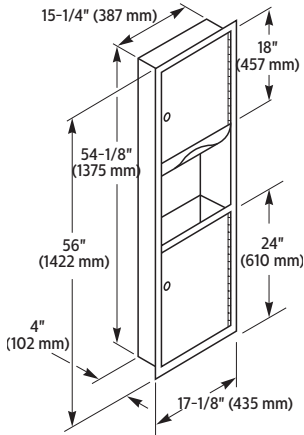
235

Constructed of architectural satin finish stainless steel. Dispenses 800 multi-fold or 500 C-fold towels. Waste receptacle has 4.9 gal (18.5 L), removable, leak-proof, molded-plastic insert.

-10 Semi-recessed 2" (51 mm) in wall, projects 2" (51 mm) from wall

-11 Surface-Mounted projects 4" (102 mm) from wall

Rough wall opening: 15.75" W x 54.625" H x 4" D (400 x 1384 x 102 mm)



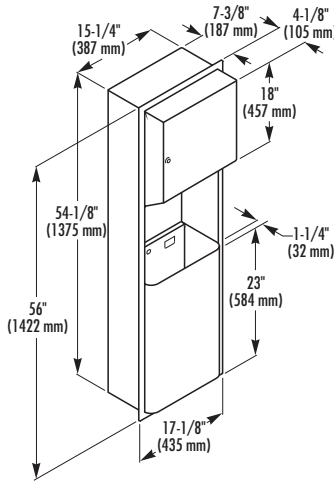
236

Constructed of architectural satin finish stainless steel. Dispenses one standard center-pull towel roll up to 9" (229 mm) wide x 9" (229 mm) diameter. 12 gal (45.4 L), stainless steel waste receptacle.

-10 Semi-recessed 3.625" (92 mm) in wall, projects 7.875" (200 mm) from wall

-11 Surface-Mounted projects 11.5" (292 mm) from wall

Rough wall opening: 15.75" W x 54.5" H x 7.5" D (400 x 1384 x 191 mm)



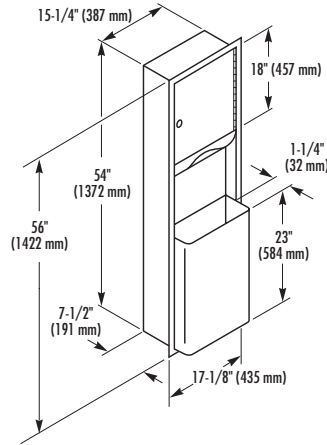
237

Constructed of architectural satin finish stainless steel. Dispenses 1,100 single-fold, 800 multi-fold or 600 C-fold towels. 12 gal (45.4 L), stainless steel waste receptacle.

-10 Semi-recessed 3.5" (89 mm) in wall, projects 4" (102 mm) from wall

-11 Surface-Mounted Projects 7.5" (191 mm) from wall

Rough wall opening: 15.75" W x 54.5" H x 7.5" D (400 x 1384 x 191 mm)





238

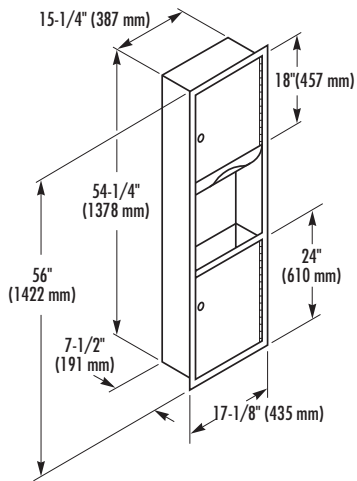


Constructed of architectural satin finish stainless steel. Dispenses 1,100 single-fold, 800 multi-fold or 600 C-fold towels. 8.2 gal (31 L) waste receptacle, removable, leak-proof, molded-plastic insert.

-10 Semi-recessed 3.5" (89 mm) in wall, projects 4" (102 mm) from wall

-11 Surface-Mounted projects 7.5" (191 mm) from wall

Rough wall opening: 15.75" W x 54.75" H x 7.5" D  
(400 x 1391 x 191 mm)



## VERGE™ SOAP INDIVIDUAL TOP FILL DISPENSERS

- Integrates seamlessly with Bradley lavatories or any handwashing fixture
- Individual top-fill soap dispenser with 70.5 oz (2.0 L) tank
- Chrome-plated cast brass construction with environmentally friendly PVD finishes
- Utilizes universal bulk soap in liquid or foam soap options
- Hidden sensors, nozzles and anti-rotational gasket prevent vandalism
- Smart Sense System: translucent ring at base gives a glowing indication of low battery, low soap and overflow conditions
- Touch-free infrared sensor-operated
- Available with multi-feed soap system that supports up to 6 soap dispensers
- Available in 6 finishes. Shown left to right below: polished chrome, brushed stainless, brushed nickel, brushed brass, brushed bronze, brushed black stainless



### 6-3100 CRESTT SERIES

Refined, high arc design pairs with Verge faucet model S53-3100

Overall dimensions: 2" H x 5.5" W x 5.5" D (51 x 140 x 140 mm)



### 6-3300 METRO SERIES

Universal cylindrical design pairs with Verge faucet model S53-3300

Overall dimensions: 1.75" H x 4" W x 5.5" D (44 x 102 x 140 mm)



### 6-3500 LINEA SERIES

Sleek lines and curved-edged design pairs with Verge faucet model S53-3500

Overall dimensions: 2.25" W x 4" H x 6" D (57 x 102 x 152 mm)



### 6-3700 ZEN SERIES

Sleek linear design pairs with Verge faucet model S53-3700

Overall dimensions: 1.75" W x 3.25" H x 6.25" D (45 x 159 mm)

## VERGE TOP FILL MULTI-FEED SOAP SYSTEM

In high and burst traffic situations with multiple handwashing stations, a top fill multi-feed soap system is available that supplies up to six soap dispensers. Bulk soap systems can save time and money with high capacity soap containers that don't have to be filled as often as individual soap containers. All new Verge soap styles are available with the automatic multi-feed option.

- Large 1.3 gallon (5.0 L) tank accepts foam or liquid universal soap
- Smart sense system with LED light indicators to display low soap and low power
- Audible and visual indicators prevent overfilling
- Brass cast fill port available in same 6 finishes as new Verge soap and faucet styles
- Works with foam or liquid soap based on the soap dispenser
- Vandal-resistant construction
- Assembly works with 6-3100 (Crestt), 6-3300 (Metro), 6-3500 (Linea) and 6-3700 (Zen) series soap dispensers



### 6-SOAP-MFT



Verge multi-feed system saves up to 85% on soap costs compared to individual cartridges.

Verge multi-feed soap tank

Overall tank dimensions 5.75" H x 15" W x 7" D (146 x 381 x 177 mm)



**6315-KT0000**



(Soap Dispenser Starter Kit: 6315, 1 bottle of soap, 4 "D" size batteries.) Sensor-operated soap dispenser with 5.5" (140 mm) spout length. ADA compliant. Reliable Infrared Metering Activation. LED light indicators for low battery and low soap refill. Spout fabricated of Chrome-plated plastic. Requires 1" (25 mm) diameter hole in lavatory or countertop 1.5" (38 mm) from edge of sink.

**6315**

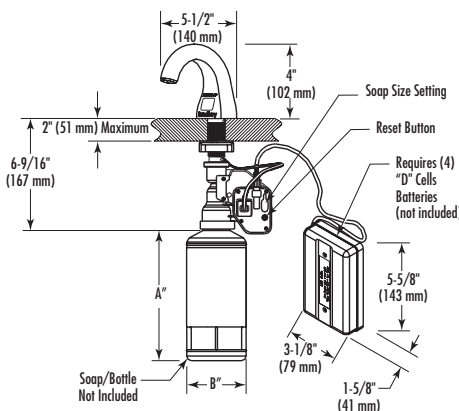


Soap dispenser only

**AC ADAPTOR**



P19-231F Single soap dispenser adaptor  
 P19-231G Adaptor for up to 4 dispensers (need P19-231H for each dispenser)  
 P19-231H Wire assembly (to be used with P19-231G which requires 1 of these for each dispenser to be hooked up); up to 4 per P19-231G adaptor  
 P19-232A 2,000-shot non-refillable bottle  
 P19-232B 1,000-shot non-refillable bottle



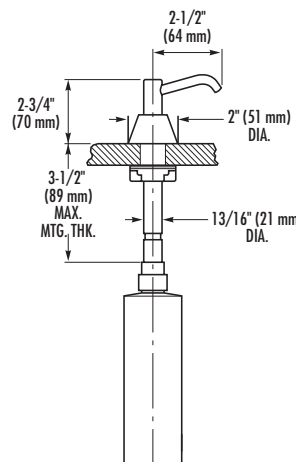
**6322**

Liquid soap dispenser with 2.5" (64 mm) spout length. Polyethylene container holds 16 oz (473 ml) liquid soap. Stainless steel plunger and spout. Special key provided. Requires 1" (25 mm) diameter mounting hole. Shank length 4.75" (121 mm) – can be shortened in field. Requires less than 5 lb (2.3 Kg) of force to operate. Spout is fixed.

**6322-68**



Unit with 32 oz (946 ml) polyethylene soap container



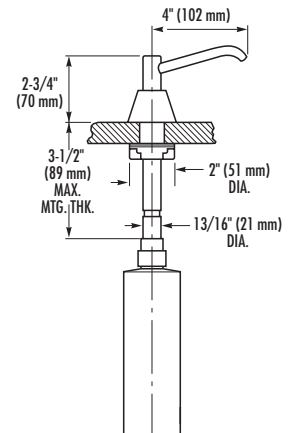
**6324**

Liquid soap dispenser with 4" (102 mm) spout length and 4.75" (121 mm) shank. Polyethylene container holds 16 oz (473 ml) liquid soap. Requires less than 5 lb (2.3 Kg) of force to operate. Spout is fixed.

**6324-68**



Unit with 32 oz (946 ml) polyethylene soap container





6326



Liquid soap dispenser with 6" (152 mm) spout length. Polyethylene container holds 16 oz (473 ml) liquid soap. Requires less than 5 lb (2.3 Kg) of force to operate. Spout is fixed.



6334



Liquid soap dispenser with 3.5" (89 mm) spout length. Polyethylene container holds 16 oz (473 ml) liquid soap. Chrome-plated brass plunger and spout. Special key provided. Required 1.25" (32 mm) diameter hole in lavatory or countertop. ADA compliant. Requires less than 5 lb (2.3 Kg) of force to operate.



6843



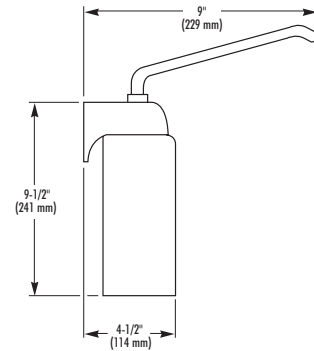
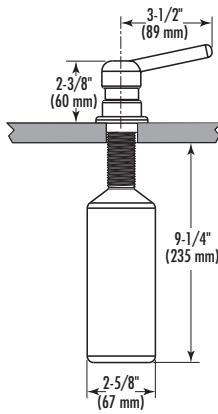
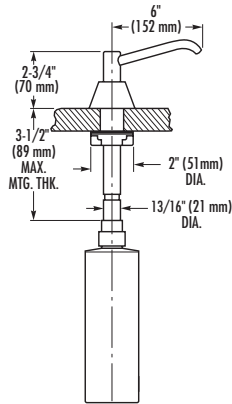
Foot-operated, medical soap dispenser. Housing of ABS plastic with stainless steel spout. Holds 32 oz (946 ml) and unscrews for filling. Foot pump of molded rubber with anti-slip base and 8' (2.4 M) vinyl tubing dispenses surgical liquid soaps, detergents and aseptic solutions with depression of pedal.

6326-68



Unit with 32 oz (946 ml) polyethylene soap container

Unit measures 11.5" H x 4.5" D (292 x 114 mm)  
Spout projects 9" (229 mm) from wall





**NEW 6B1-119300**



Surface-mounted, sensor-activated liquid soap/gel sanitizer soap dispenser. 20-gauge, 300 series stainless steel in a brushed #3 satin finish or optional electrocoat finishes. BradLock magnetic locking system, low level indicator, Wall Saver technology. 40-oz capacity.

-119400 AC Plug Power Supply

See technical data for BradEx options **BX**

18.0625" H x 6.875" W x 3.9375" D  
(273 x 279 x 102mm)

**NEW 6B1-119300T**



With drip tray

See technical data for BradEx options **BX**

**NEW 6B1-119373**



Foam soap dispenser

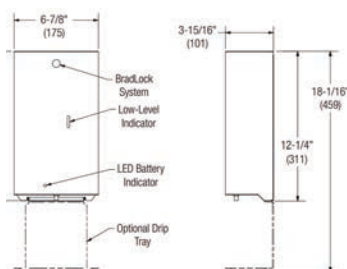
See technical data for BradEx options **BX**

**NEW 6B1-119373T**



Foam soap dispenser w/ drip tray

See technical data for BradEx options **BX**



**NEW 6B1-110000**



Surface-mounted, manual liquid soap/gel sanitizer soap dispenser. 20-gauge, 300 series stainless steel in a brushed #3 satin finish or optional electrocoat finishes. BradLock magnetic locking system, low level indicator, Wall Saver technology. 40-oz capacity.

18.0625" H x 6.875" W x 3.9375" D  
(273 x 279 x 102mm)

**NEW 6B1-110000T**



With drip tray

**NEW 6B1-110073**

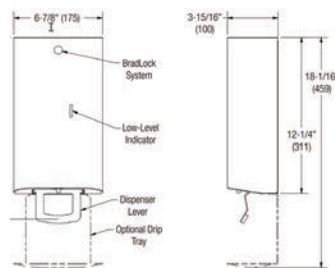


Foam soap dispenser

**NEW 6B1-110073T**



Foam soap dispenser w/ drip tray



**NEW 6B1-000000**



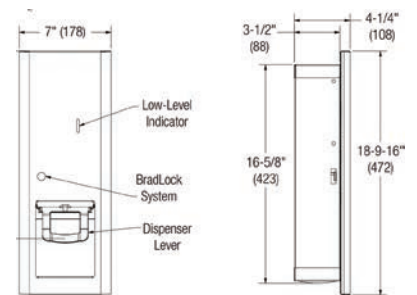
Recessed, manual liquid soap/gel sanitizer soap dispenser. 20-gauge, 300 series stainless steel in a brushed #3 satin finish or optional electrocoat finishes. BradLock magnetic locking system, low level indicator, Wall Saver technology. 40-oz capacity.

18.0625" H x 6.875" W x 3.9375" D  
(273 x 279 x 102mm)

**NEW 6B1-000073**



Foam soap dispenser





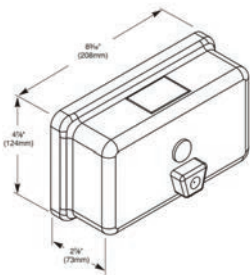
**6543**



Surface-mounted, vertical, liquid, tank-type soap dispenser of stainless steel with black ABS plastic valve. Holds 40 oz (1183 ml) liquid soap. Push-in type valve. Surface mounting. ADA compliant. Requires less than 5 lb (2.3 Kg) of force to operate. Ideal for higher end hospitality and other commercial restrooms.

Unit measures 4.8125" W x 8.1875" H x 2.875" D (122 x 208 x 73 mm)

Valve projects 2.5" (64 mm) from wall

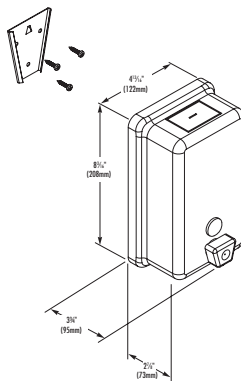


**6563**

Surface-mounted, vertical, liquid, tank-type soap dispenser of stainless steel with black ABS plastic valve. Holds 40 oz (1183 ml) liquid soap. Push-in type valve. Surface mounting. ADA compliant. Requires less than 5 lb (2.3 Kg) of force to operate. Ideal for higher end hospitality and other commercial restrooms.

Unit measures 4.8125" W x 8.1875" H x 2.875" D (122 x 208 x 73 mm)

Valve projects 2.5" (64 mm) from wall



**6A03-11**



Designed with unique dual-curve geometry. Constructed of architectural satin finish stainless steel. Surface-mounted, automatic, liquid soap dispenser with 27 oz (800 ml) capacity. Red light indicates low battery. Liquid or gel soap.

Unit measures 4.625" W x 10.5625" H x 4.1875" D (117 x 268 x 106 mm)

**NEW 6A01-11**

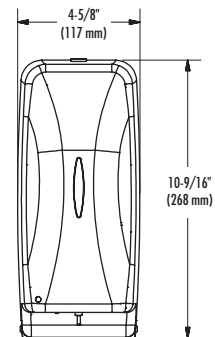


Foam soap dispenser with 27 oz (800 mL) capacity

**6A02-11**



Hand sanitizer with 27 oz (800 mL) capacity







Foam Soap delivers two times more hand washes than liquid soap, equaling half the amount of refills, which results in about 30–50% annual savings.



**644**

Vertically mounted unit with stainless steel soap vessel

Rough wall opening: 4.5" W x 8.5" H x 4" D  
(114 x 216 x 102 mm)



**6437**

Recessed, liquid soap dispenser of satin finish stainless steel. Plastic soap vessel holds 50 oz (1475 ml) of liquid soap. Sight gauge on dispenser. Requires less than 5 lb (2.3 Kg) of force to operate.

Rough wall opening: 8.5" W x 4.5" H x 4" D  
(216 x 114 x 102 mm)



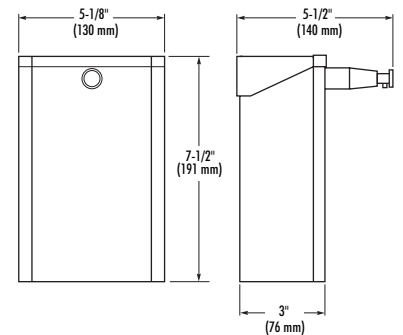
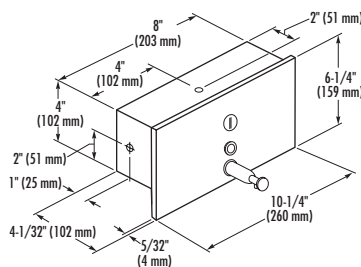
**6531**

Surface-mounted, stainless steel with architectural satin finish. Locked cover removes for filling. Holds 44 oz (1301 ml) liquid soap. Push-in type valve delivers measured amount of liquid soap.

Rough wall opening: 5.125" W x 7.5" H x 3" D  
(130 x 191 x 76 mm)

**6437-37**

Foam soap dispenser holds 50 oz (1475ml)





6542



Surface-mounted, horizontal, liquid, tank-type soap dispenser of satin finish stainless steel. Holds 40 oz (1180 ml) liquid soap. Push-in type valve. Concealed mounting. Requires less than 5 lb (2.3 Kg) of force to operate.

Unit measures 8.1875" W x 4.875" H x 2.875" D (208 x 124 x 73 mm)

Valve projects 2.5" (64 mm) from wall



6562



Surface-mounted, vertical, liquid, tank-type soap dispenser of satin finish stainless steel. Holds 40 oz (1180 ml) liquid soap. Push-in type valve. Concealed mounting. Requires less than 5 lb (2.3 Kg) of force to operate.

Unit measures 4.8125" W x 8.1875" H x 2.875" D (122 x 208 x 73 mm)

Valve projects 2.5" (64 mm) from wall



648



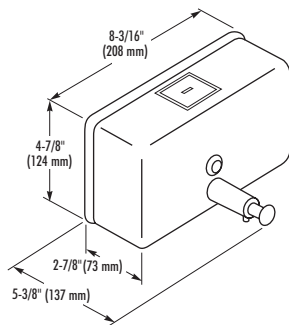
Liquid soap dispenser features Chrome-plated bracket, translucent polyethylene globe and push-up-type valve with corrosion-resistant components and vacuum-flow control. Holds 16 oz (473 ml) liquid soap. Swivels for filling.

Unit measures 3.375" W x 7" H x 5.25" D (86 x 178 x 133 mm)

6542-73



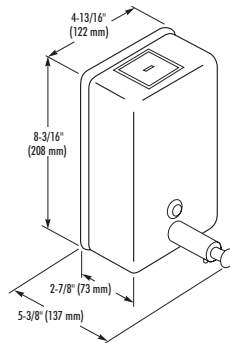
Foam soap dispenser holds 40 oz (1180ml)



6562-73

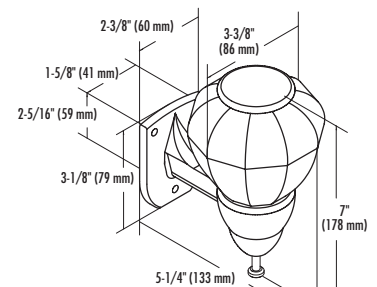


Foam soap dispenser holds 40 oz (1180ml)



6481

Unit with no swivel (shown)

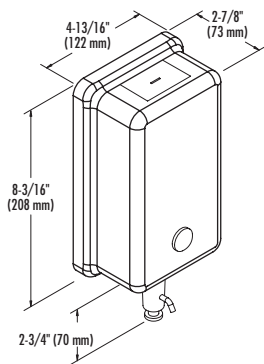




**655**

Liquid, tank-type soap dispenser with vertical valve. Fabricated of stainless steel with exposed surfaces in architectural satin finish. Holds 40 oz (1183 ml) liquid soap. Requires less than 5 lb (2.3 Kg) of force to operate.

Unit measures 4.8125" W x 8.1875" H x 2.875" D (122 x 208 x 73 mm)

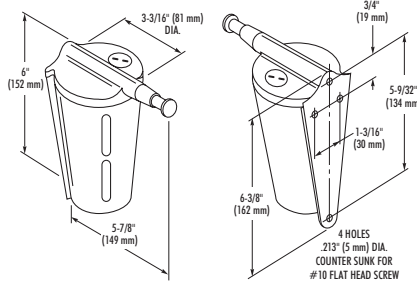


**BX 657**

Liquid soap dispenser. Chrome-plated brass with plastic container and Chrome-plated plastic assembly. Holds 12 oz (355 ml) liquid soap. Concealed mounting.

Unit measures 3.1875" W x 6" H x 5.875" D (81 x 152 x 149 mm) from wall to end of valve

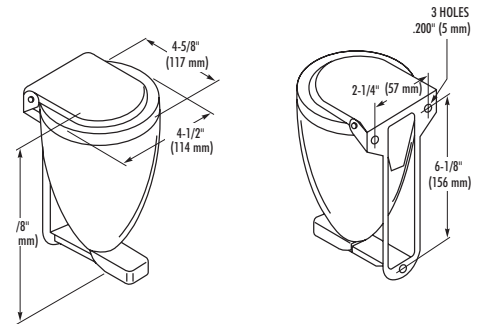
Valve projects 2.6875" (68 mm) from wall



**658-30**

Powdered soap dispenser of polished and satin finish stainless steel. Stainless push knob, springs and discharge mechanism. Holds 32 oz (946 ml) powdered soap. Locked top covers filler hole.

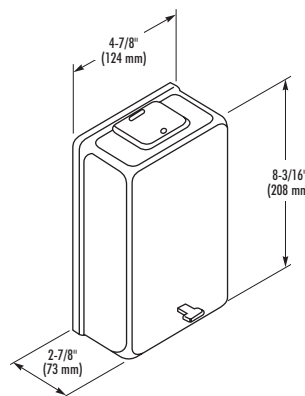
Unit measures 4.5" W x 7.125" H x 4.625" D (114 x 181 x 117 mm)



**6583**

Powdered soap dispenser of satin finished stainless steel with Chrome-plated brass valve. Holds 32 oz (946 ml) powdered soap. Locked top covers filler hole. Concealed mounting.

Unit measures 4.875" W x 8.1875" H x 2.875" D (124 x 208 x 73 mm)



Bradley Mirrors are made of first quality 1/4" (6 mm) float glass for a clean, contemporary look and an exclusive backing for long-lasting use. Guaranteed against silver spoilage for 15 years. Frames fabricated of stainless steel with theft-resistant mounting brackets. Angle Frame and Channel Frame Mirrors feature one piece, roll-formed frames for strength. Frames guaranteed 15 years against corrosion. Choose Angle Frame style for welded, polished corners and Channel Frame style for neatly mitered corners.



**NEW 7B1-00**



Frame and frameless mirrors shall be high quality 1/4" tempered flat glass. Radiused corners and edges ground and polished smooth. Vertical mounting only. 20-gauge stainless steel frame in brushed #3 satin finish or optional electrocoat finishes.

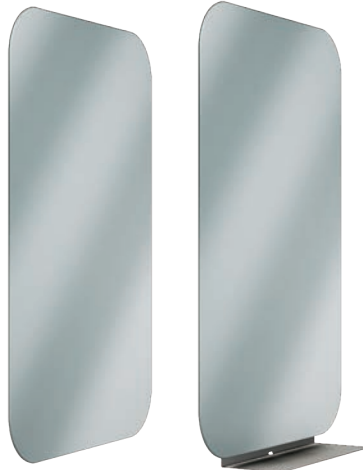
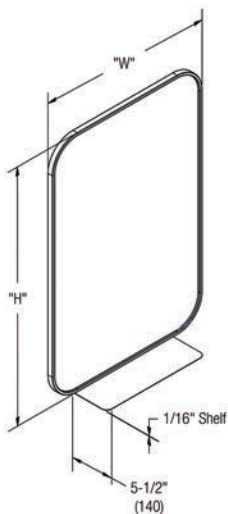
See technical data for sizes and BradEx options **BX**

**NEW 7B1-20**



With an optional 16-gauge, 300 series stainless steel shelf in brushed #3 satin finish or optional electrocoat finishes.

See technical data for sizes and BradEx options **BX**



**NEW 7B1-10**



Frameless mirrors shall be high quality 1/4" tempered flat glass. Radiused corners and edges ground and polished smooth. Vertical mounting only.

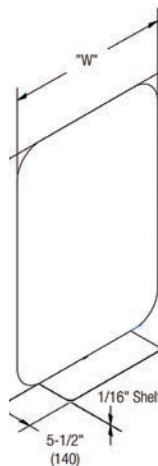
See technical data for sizes and BradEx options **BX**

**NEW 7B1-30**



With an optional 16-gauge, 300 series stainless steel shelf in brushed #3 satin finish or optional electrocoat finishes.

See technical data for sizes and BradEx options **BX**



**NEW 7B1-50**



LED mirrors shall be 5mm thick, constructed from high quality flat glass. LED illuminates entire perimeter of mirror. Power with plug/cord provided or wire into restroom occupancy sensor. Radiused corners and edges ground and polished smooth. Tamper-resistant mounting.

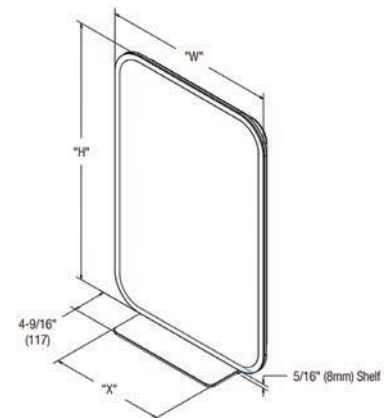
See technical data for sizes and BradEx options **BX**

**NEW 7B1-70**



Optional illuminated LED shelf that plugs into LED driver.

See technical data for sizes and BradEx options **BX**

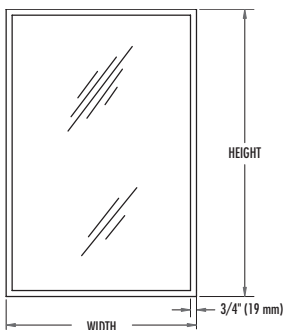




**780**

Angle framed mirror. 0.75" x 0.75" (19 mm x 19 mm) satin finish, stainless steel angle frame with welded and polished corners. 0.25" (6 mm) thick glass. Wall hanger of 18-gauge steel provides theft-resistant mounting. Galvanized steel back plate with shock-absorbing, waterproof filler. Standard or barrier-free applications.

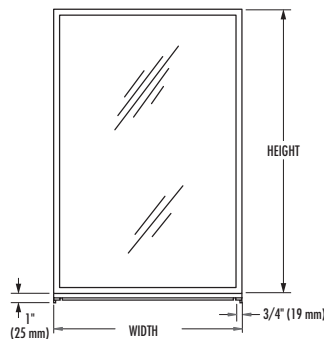
See technical data for BradEX sizes **BX**



**7805**

Angle framed mirror with shelf. 0.75" x 0.75" (19 mm x 19 mm) satin finish stainless steel angle frame with welded and polished corners. 0.25" (6 mm) thick glass. 5.5" (140 mm) W satin finish stainless steel shelf welded to frame. Shelf has flanged front and sides. Wall hanger of 18-gauge steel provides vandal- and theft-resistant mounting. Galvanized steel back plate with shock-absorbing, waterproof filler. Standard or barrier-free applications.

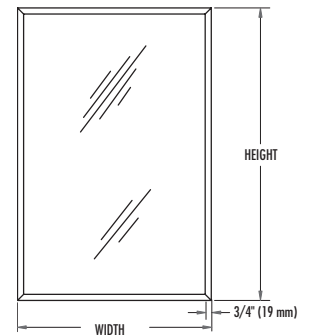
See technical data for BradEX sizes **BX**



**781**

Channel framed mirror. 0.75" x 0.75" x 0.4375" (19 mm x 19 mm x 11 mm) channel frame of stainless steel with bright annealed finish. Neatly mitered corners. 0.25" (6 mm) thick glass. Wall hanger of 18-gauge steel provides vandal- and theft-resistant mounting. Galvanized steel back plate with shock-absorbing, waterproof filler. Standard or barrier-free applications.

See technical data for BradEX sizes **BX**





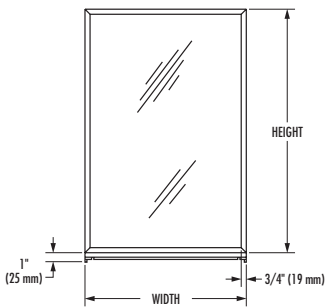
7815



740

Channel-framed mirror with shelf. 0.75" x 0.75" x 0.4375" (19 mm x 19 mm x 11 mm) frame of stainless steel with bright annealed finish. Neatly mitered corners. 0.25" (6 mm) thick glass. 5.5" (140 mm) W satin finish stainless steel shelf welded to frame. Wall hanger of 18-gauge steel provides vandal- and theft-resistant mounting. Galvanized steel back plate with shock-absorbing, waterproof filler. Standard or barrier-free applications.

See technical data for BradEX sizes **BX**

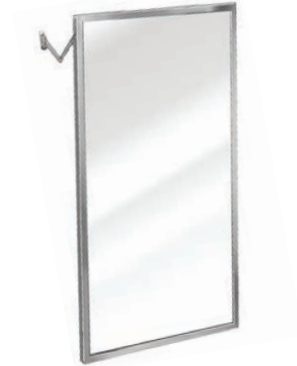
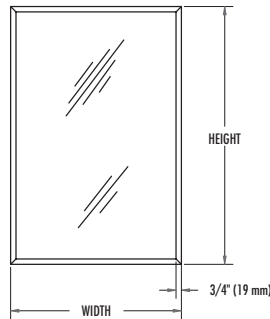


782

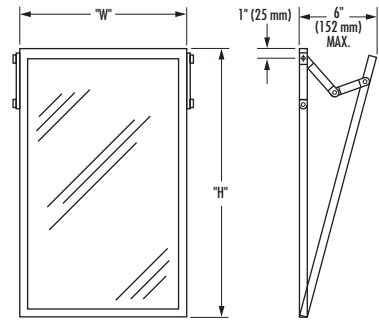


Fixed-angle, tilt frame of satin finish stainless steel. 0.75" x 0.75" (19 mm x 19 mm) frame with welded and polished corners. 0.25" (6 mm) thick glass. Theft-resistant mounting bracket. Standard or barrier-free applications.

See technical data for BradEX sizes **BX**



Adjustable tilt mirror. 0.75" x 0.75" (19 mm x 19 mm) frame is bottom hinged and has welded, polished corners. 0.25" (6 mm) thick glass. Two friction elbow hinges on top allow unit to tilt up to maximum 6" (152 mm) from wall. Standard projection is 4" (102 mm). Standard or barrier-free applications.

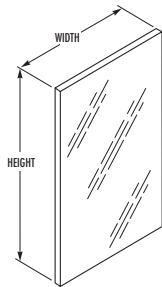




**747**

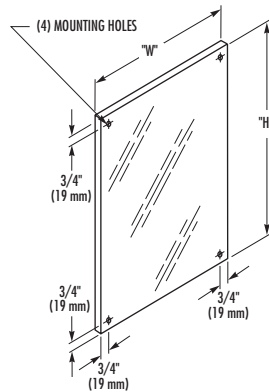
Frameless 0.25" (6 mm) thick glass mirror. Metal clip fasteners. Only available in standard glass. Standard or barrier-free applications.

See technical data for BradEX sizes 



 **748**

Unbreakable stainless steel, frameless mirror of stainless steel polished to No. 8 architectural bright finish. Mirror has 0.25" (6 mm) return to conceal 0.25" (6 mm) tempered Masonite backing. Fastens with tamper-resistant screws. Standard or barrier-free applications.



**OPTIONAL MIRROR FEATURES**

Options available on select Bradley models.

FEATURE	ADD SUFFIX
1/4" (6mm) Tempered glass mirror	-2
300 Series stainless steel polished to a No. 8 architectural-grade finish in lieu of glass	-4

Note: Tempered, laminated, plexiglass and stainless steel provide extra security from broken glass but may differ in color and reflectivity from standard mirrors.



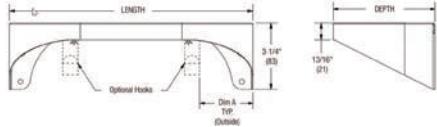
**NEW 7B2-005**

Top and back of surface-mounted shelf shall be fabricated of 20-gauge, 300 series stainless steel in a brushed #3 satin finish and has an integral back mounting plate. Front and sides shall be fabricated of 18-gauge, 300 series stainless steel in a brushed #3 satin finish. Available in optional electrocoat finishes.

See technical data for sizes and BradEx options **BX**

-96 with optional hooks

5" (127 mm) Depth



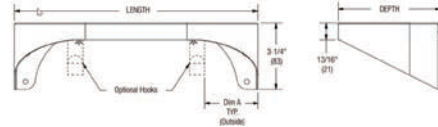
**e NEW 7B2-008**

Top and back of surface-mounted shelf shall be fabricated of 20-gauge, 300 series stainless steel in a brushed #3 satin finish and has an integral back mounting plate. Front and sides shall be fabricated of 18-gauge, 300 series stainless steel in a brushed #3 satin finish. Available in optional electrocoat finishes.

See technical data for sizes and BradEx options **BX**

-96 with optional hooks

8" (203 mm) Depth



**e 755**

Surface-mounted shelves fabricated of stainless steel with exposed surfaces in architectural satin finish.

-12 12" (305 mm) Length, -18 18" (457 mm) Length  
5" (127 mm) Width

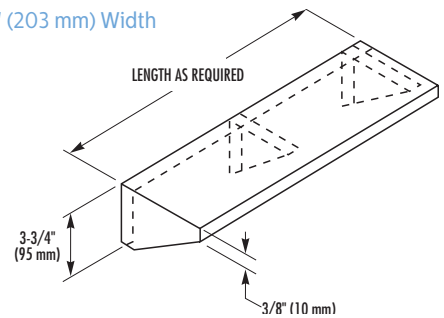
**756**

6" (152 mm) Width

**758**

-24 24" (610 mm) Length

8" (203 mm) Width



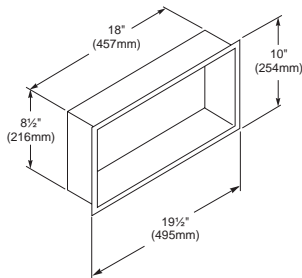




**760**

Recessed shelf fabricated of 22-gauge stainless steel with exposed surfaces in satin finish.

Unit measures 19.5" W x 10" H x 4" D  
(495 x 254 x 102 mm)



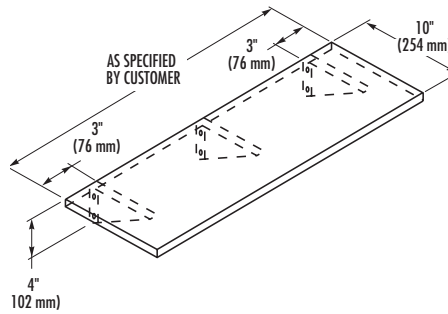
**7510**

Surface-mounted shelves fabricated of stainless steel with exposed surfaces in architectural satin finish.

10" (254 mm) Width

**7512**

12" (305 mm) Width



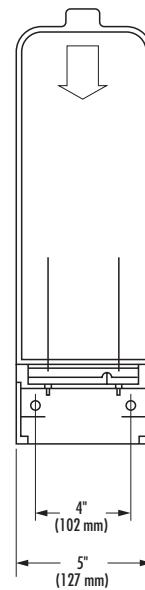
**790**



Surface-mounted, fold-down utility shelf. Fabricated of heavy-duty, Chrome-plated zinc die cast with textured shelf area. Rear hinged shelf folds down for use. Holds up to 150 lb (68 Kg). Automatically returns to vertical position.

-SS Stainless Steel

Unit measures 5" W x 14.875" D (127 x 378 mm)



Bradley Toilet Paper Holders and Seat Cover Dispensers provide a complete selection of surface-mounted, recessed and partition-mounted units. Toilet Paper Holders are available in single and multi-roll models, some with integral shelves.



**NEW 5B2-000000**



Recessed. 20-gauge, 300 series stainless steel in brushed #3 satin finish or optional electrocoat finishes. Cabinet holds two rolls up to 4.5" W x 5.25" (114 x 133 mm) diameter standard core toilet paper. BradLock magnetic locking system, Wall Saver technology, Easy-feed operation.

See technical data for BradEx options **BX**

7.625" W x 12.5" H x 5.5625" D  
(193 x 318 x 142mm)



**NEW 5B2-110000**



Surface-mounted. 20-gauge, 300 series stainless steel in brushed #3 satin finish or optional electrocoat finishes. Cabinet holds two rolls up to 4.5" W x 5.25" (114 x 133 mm) diameter standard core toilet paper. BradLock magnetic locking system, Wall Saver technology, Easy-feed operation.

See technical data for BradEx options **BX**

5.6875" W x 10.5" H x 5.5625" D  
(144 x 266 x 142mm)

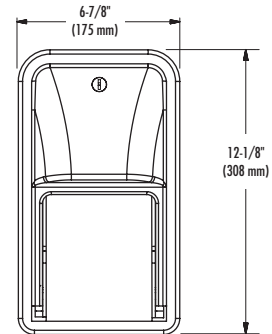
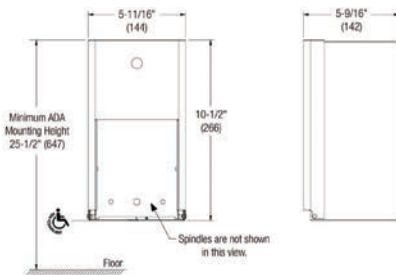
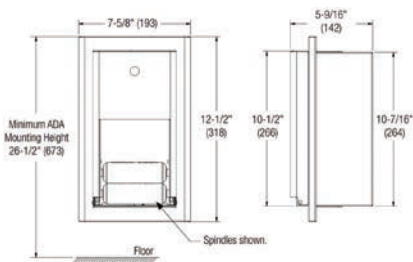


**5A00**



Designed with unique dual-curve geometry. Constructed of architectural satin finish stainless steel. Recess-mounted, Non-Controlled delivery toilet paper holder. Cabinet holds two rolls up to 4.5" W x 5.25" (114 x 133 mm) diameter standard core toilet paper. Molded polyethylene spindles.

Rough wall opening: 6" W x 11.125" H x 4" D  
(152 x 283 x 102 mm)

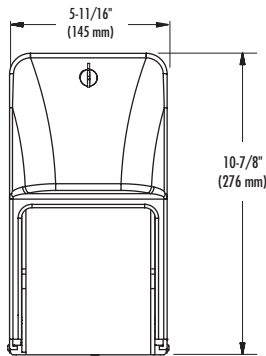




**5A10**



Designed with unique dual-curve geometry. Constructed of architectural satin finish stainless steel. Surface-mounted, Non-Controlled delivery toilet paper holder. Cabinet holds two rolls up to 4.5" W x 5.25" (114 x 133 mm) diameter standard core toilet paper. Molded polyethylene spindles. Unit measures 5.5625" W x 10.875" H x 6.1875" D (141 x 276 x 157 mm)



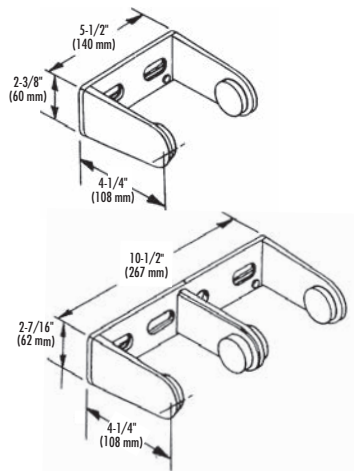
**505**

Controlled delivery. Chrome-plated, die-cast zinc. Unit features hinged arm with spring catch for filling and tension spring on fixed arm. Holds one (two) standard core roll(s) through 4.5" W x 5" (114 x 127 mm). Surface-mounted. Single roll. Unit measures 5.5" W x 2.375" H x 4.25" D (140 x 60 x 108 mm)

**522**

Double roll

Unit measures 10.5" W x 2.4375" H x 4.25" D (267 x 62 x 108 mm)



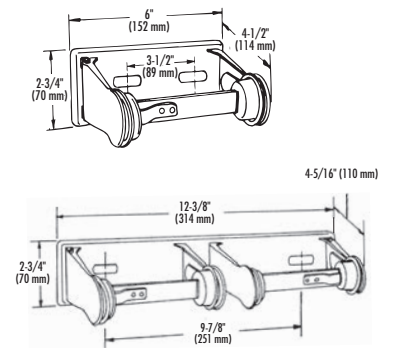
**5054**

Controlled delivery. Heavy-duty, Chrome-plated steel. Vandal-resistant locking mechanism. Hinged arm for filling. Tension spring prevents free spinning of roll. Holds one (two) standard core roll(s) through 6" (152 mm) in diameter. Surface-mounted. Single roll. Unit measures 6" W x 2.75" H x 4.5" D (152 x 70 x 114 mm)

**5224**

Double roll

Unit measures 12.375" W x 2.75" H x 4.3125" D (314 x 70 x 110 mm)





**5071**

Controlled delivery. Die-cast aluminum with gray polystyrene spindle. Rotates 0.5 revolution for each dispensing operation and returns to original position. Spring allows spindle to be released for filling. Holds one (two) standard core roll(s) through 5.5" (140 mm) in diameter. Surface-mounted. Single roll.

-50 Non-controlled Delivery

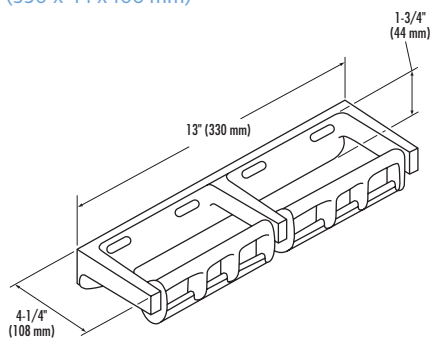
Unit measures 6.5" W x 1.75" H x 4" D  
(165 x 44 x 102 mm)

**5241**

Double roll

-50 Non-controlled Delivery

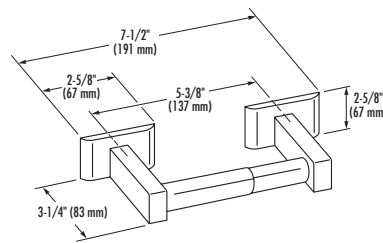
Unit measures 13" W x 1.75" H x 4.25" D  
(330 x 44 x 108 mm)



**508**

Non-controlled delivery. Chrome-plated, cast brass with Chrome-plated plastic spindle. Surface-mounted.

Unit measures 7.5" W x 2.625" H x 3.25" D  
(191 x 67 x 83 mm)



**508-32**

Non-Controlled delivery. Highly polished, chrome-finish Zamac brackets with plated-steel mounting bracket and Chrome-plated plastic spindle. Surface-mounted. Single roll.

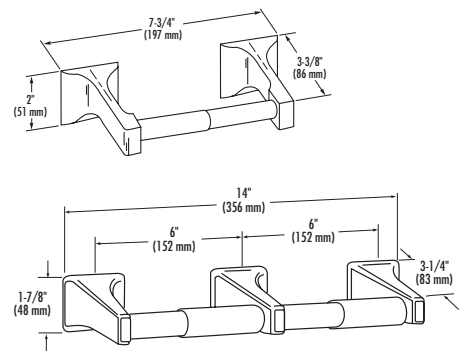
Plastic roller (-51) for 508-32 only.

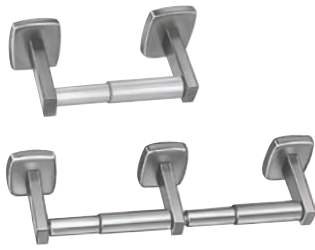
Unit measures 7.75" W x 2" H x 3.375" D  
(197 x 51 x 86 mm)

**523**

Double roll

Unit measures 14" W x 1.875" H x 3.375" D  
(356 x 48 x 86 mm)





**5084**



Non-Controlled delivery. Constructed of satin finish stainless steel. Unit has individually mounted arms and free-turning roller that telescopes for filling. Holds standard core rolls through 5.5" (140 mm) in diameter. Surface-mounted. Single roll.

Unit measures 7.75" W x 2" H x 3.625" D  
(197 x 51 x 92 mm)



**5106**



Surface-mounted, Non-Controlled delivery with hinged hood. Fabricated of bright polished stainless steel and Chrome-plated plastic spindle. Free-turning rollers. Holds standard core rolls through 5.5" (140 mm) in diameter. Single roll.

Unit measures 6.375" W x 6.375" H x 2" D  
(162 x 162 x 51 mm)



**5262**



Toilet paper dispenser with shelf. Non-Controlled delivery. Fabricated of satin finish stainless steel. Spindle(s) of ABS plastic with concealed spring. Standard core 6" (152 mm) diameter toilet paper roll(s). Surface-mounted. Single roll.

Unit measures 16" W x 3.9375" H x 6" D  
(406 x 100 x 152 mm)

**5085**



Single roll, unit with Bright Polish Finish.

**5107**



Satin finish stainless steel.

**5263**



Double roll

**5234**



Double roll

Unit measures 13" W x 2" H x 3.875" D  
(330 x 51 x 98 mm)

**5126**



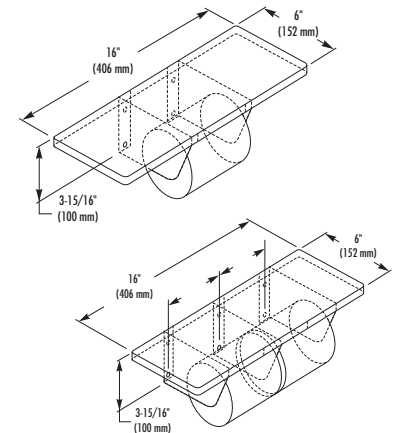
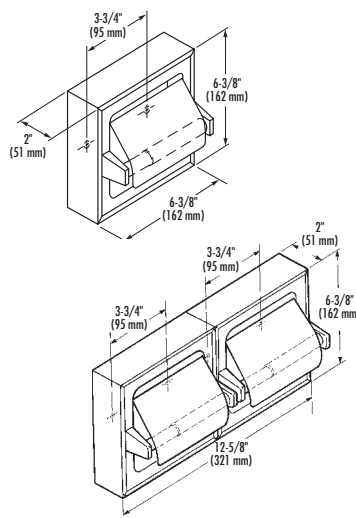
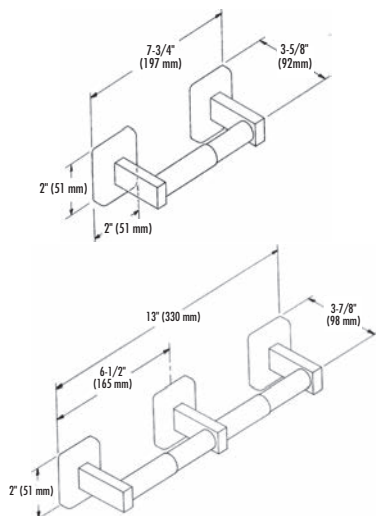
Double roll

Unit measures 12.625" W x 6.375" H x 2" D  
(321 x 162 x 51 mm)

**5235**



Double roll, unit with Bright Polish Finish.





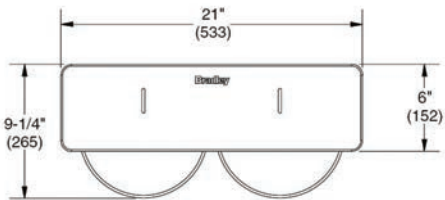
**NEW 5426-11**



**5424**

Surface-mounted, dual jumbo roll, toilet paper holder. 22-gauge stainless steel with exposed surfaces in architectural satin finish. Welded construction with burr-free edges. Furnished with refill-indicator viewing slots. Holds maximum two standard 9" (229 mm) rolls and width of 3.75" (95 mm).

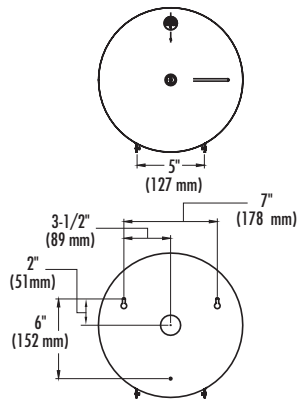
Overall dimensions: 21" W x 6" H x 6.1875" D  
(534 x 153 x 157 mm)



**5425**

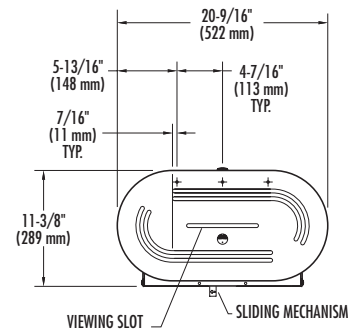
Surface-mounted, jumbo roll, toilet paper holder. Satin finish stainless steel. Door swings down to replenish tissue roll and is secured with tumbler lock. Holds one roll (up to 10" (254 mm) diameter) of 1.5" (38 mm) or 2.125" (54 mm) diameter core toilet paper minimum. Refill indicator slot reveals tissue level.

Unit measures 10.8125" W x 10.8125" H x 4.75" D  
(275 x 275 x 121 mm)



Surface-mounted, dual jumbo roll, toilet paper holder. Satin finish stainless steel. Bottom hinged front panel is secured with tumbler lock. Holds two standard 9" (229 mm) rolls. Core adapters accept 2.25" (57 mm) or 3" (76 mm) diameter core tissue minimum. Inside mechanism of durable ABS has sliding bottom access panel to allow dispensing from one roll at a time. Non-Controlled delivery.

Unit measures 20.5625" W x 11.375" H x 6" D  
(522 x 289 x 152 mm)



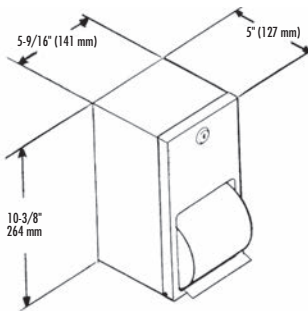


**5402**



Surface-mounted, dual roll, toilet paper holder. Satin finish stainless steel. Vandal-resistant, polyethylene spindles. Bottom hinged front panel is secured with tumbler lock. Holds two standard rolls up to 4.75" (121 mm) in diameter, 4.5" (114 mm) W. Non-Controlled delivery.

Unit measures 5.5625" W x 10.375" H x 5" D (141 x 264 x 127 mm)



**5104**

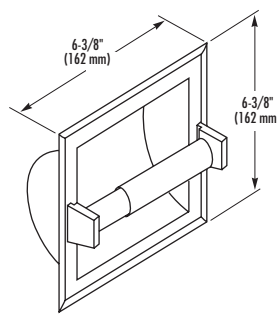
Recess-mounted toilet paper holder with Non-Controlled delivery. Recessed housing and projecting parts of satin finish stainless steel. Free-turning, Chrome-plated plastic roller telescopes for filling. Holds one standard core roll up to 5" (127 mm) in diameter. Satin finish (shown).

Rough wall opening: 5.25" W x 5.25" H x 2" D (133 x 133 x 51 mm)

**5102**



Unit Housing and Projecting Parts of Bright Polished Stainless Steel\*

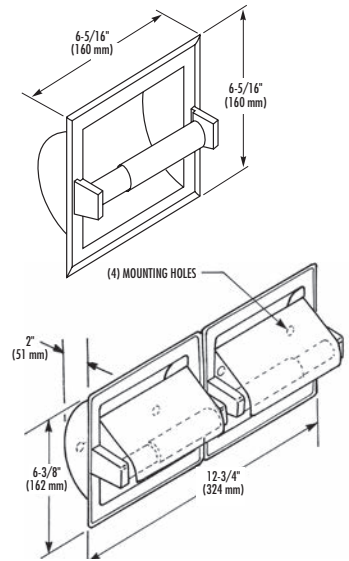


**5123**



Double roll. Recess-mounted toilet paper holder with hinged hood and Non-Controlled delivery. Housing brackets and hood fabricated of bright polished stainless steel. Chrome-plated plastic spindle. Holds one (two) standard core roll(s) through 5.5" (140 mm) in diameter. Single roll.

Rough wall opening: 11.75" W x 5.25" H x 2" D (298 x 133 x 51 mm)



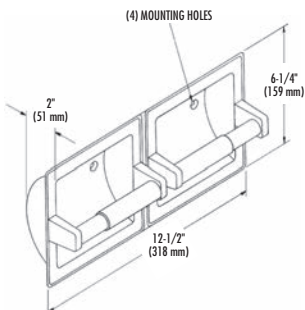


5124



Recess-mounted, dual roll, toilet paper holder with non-controlled delivery. Satin finish stainless steel. Chrome-plated, zinc die-cast projecting parts. Free-turning, Chrome-plated plastic rollers. Holds two standard core rolls through 5" (127 mm) in diameter.

Rough wall opening: 11.75" W x 5.25" H x 2" D (298 x 133 x 51 mm)



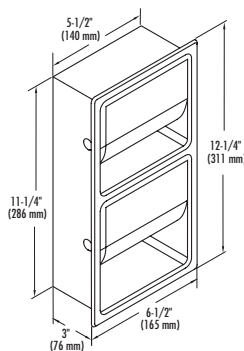
5127



Recess-mounted, dual roll, Non-Controlled delivery with hinged hood toilet paper holder. Fabricated of bright polished stainless steel and Chrome-plated plastic spindle. Free-turning rollers. Holds standard core through 5.5" (140 mm) diameter.

Unit measures 6.5" W x 12.25" H x 3" D (165 x 311 x 76 mm)

Rough wall opening: 6" W x 11.75" H x 3.25" D (152 x 298 x 83 mm)



5412

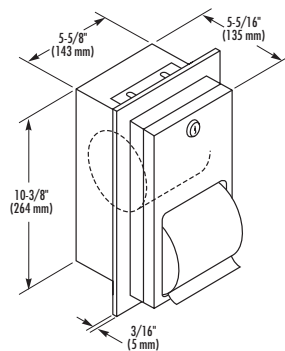


Recess-mounted, dual roll, toilet paper holder. Satin finish stainless steel. Vandal-resistant polyethylene spindles. Bottom hinged front panel is secured with tumbler lock. Holds two standard rolls up to 4.75" (121 mm) in diameter, 4.5" (114 mm) W. Non-Controlled delivery.

With flange, unit measures 7.625" W x 12.375" H x 5.3125" D (194 x 314 x 135 mm)

Without flange, unit measures 5.625" W x 10.375" H x 5.3125" D (143 x 264 x 135 mm)

Rough wall opening: 5.75" W x 10.5" H x 4" D (146 x 267 x 102 mm)



5422

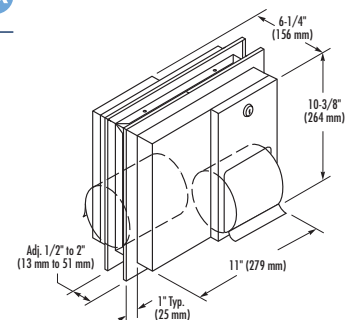


Partition-mounted, dual roll, toilet paper holder. Serves two adjoining compartments. Satin finish stainless steel. Vandal-resistant polyethylene spindles. Bottom hinged front panel is secured with tumbler lock. Holds two standard rolls up to 4.75" (121 mm) in diameter, 4.5" (114 mm) W. Non-Controlled delivery.

With flange, unit measures 13" W x 12.375" H x 5.71875" D (330 x 314 x 145 mm)

Without flange, unit measures 11" W x 10.375" H x 5.09375" D (279 x 264 x 129 mm)

Partition opening: 11.375" W x 10.625" H (289 x 270 mm)





Bradley Seat Cover Dispenser/Combination units are fabricated of 18-gauge stainless steel and are secured with full-length piano hinges and tumbler locks for the ultimate blend of style and vandal resistance. When doors are locked, contents and interior areas are hidden and protected. Partition-mounted units serve two compartments at the same time.



591



5911

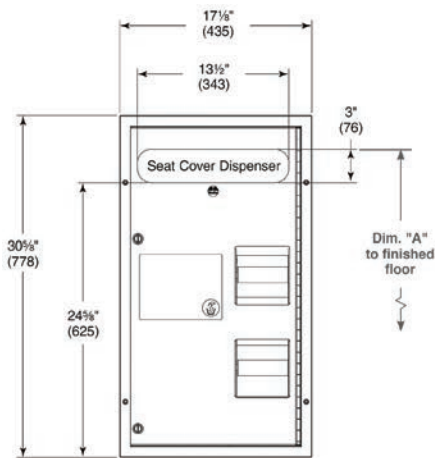


5912



Partition-mounted combination unit serves two compartments. Dispenses 1,000 standard single or half-fold paper toilet seat covers. Holds four standard core rolls through 5.25" (133 mm) in diameter. Waste receptacle capacity 0.88 gal (3.3 L). Non-Controlled delivery.

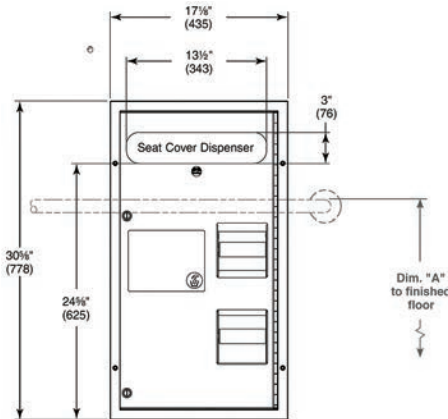
Partition opening 15.5" W x 28.875" H (394 x 733 mm)



Partition-mounted combination unit serves two compartments. Mounts with one side flush against partition allowing clearance for grab bar in barrier-free compartment. Waste receptacle capacity 0.88 gal (3.3 L). Holds four standard core rolls through 5.25" (133 mm) in diameter. Non-Controlled delivery. Servicing of unit accomplished from non-barrier-free compartment.

-69 Reverse Door Option

Partition opening 15.5" W x 28.875" H (394 x 733 mm)



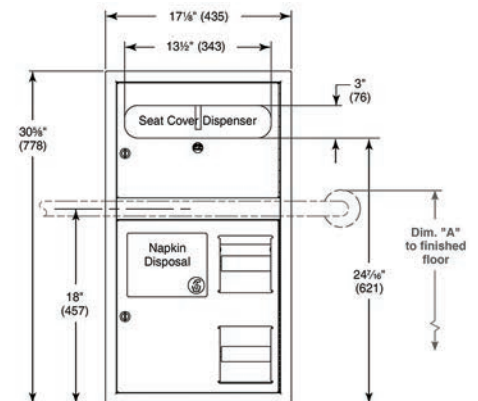
Recess-mounted combination unit. Dispenses 1,000 standard single or half-fold paper toilet seat covers. Holds two standard core rolls through 5.25" (133 mm) in diameter. Non-Controlled delivery. Waste receptacle capacity 1 gal (3.8 L).

-10 Semi-recessed projects 1.25" (32 mm) from wall. Not for use with grab bar.

-11 Surface-Mounted projects 4.25" (108 mm) from wall. Not for use with grab bar.

-69 Reverse Door Option

Rough wall opening: 15.5" W x 28.875" H x 4" D (394 x 733 x 102 mm)





**5922**

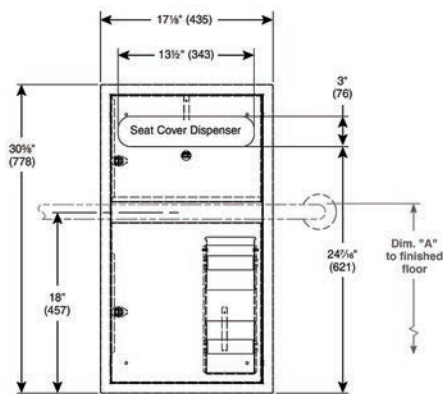
Recess-mounted. Dispenses 1,000 standard single or half-fold paper toilet seat covers. Holds two standard core rolls through 5.25" (133 mm) in diameter. Non-Controlled delivery.

-10 Semi-recessed 2.125" (54 mm) in wall, projects 2" (51 mm) from wall. Not for use with grab bar.

-11 Surface-mounted projects 4.25" (108 mm) from wall. Not for use with grab bar.

-69 Reverse Door Option

Rough wall opening: 15.5" W x 28.875" H x 4" D  
(394 x 733 x 102 mm)



**5942**

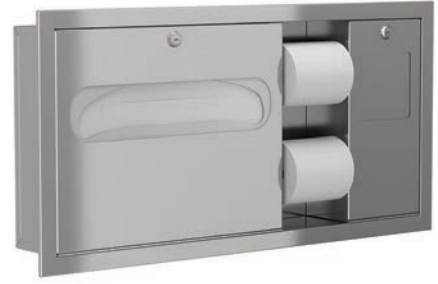
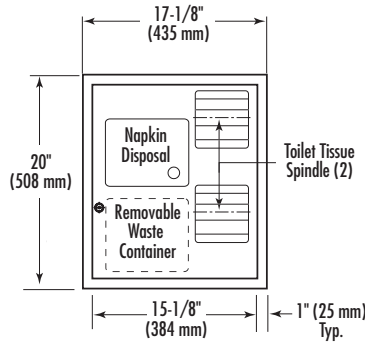
Recess-mounted combination unit. Dispenses two standard core rolls through 5.25" (133 mm) in diameter. Non-Controlled delivery. Napkin disposal has self-closing, push-flap door. Waste receptacle capacity 1 gal (3.8 L).

-10 Semi-recessed 3.25" (83 mm) in wall, projects 1.25" (32 mm) from wall.

-11 Surface-mounted projects 4.5" (108 mm) from wall.

-69 Reverse Door Option

Rough wall opening: 15.375" W x 18.25" H x 4.25" D  
(391 x 464 x 108 mm)



**NEW 5961**

Recess-mounted toilet seat cover dispenser with right side waste receptacle and toilet paper dispenser. Dispenses two standard core rolls through 5.25" (133 mm) in diameter. Non-Controlled delivery. Napkin disposal has self-closing, push-flap door. Waste receptacle capacity 0.46 gal.

-11 Surface-Mounted

Rough wall opening: 28" W x 14" H x 0.25" D  
(711 x 356 x 6 mm)

**NEW 5962**

Recess-mounted toilet seat cover dispenser with left side waste receptacle and toilet paper dispenser.

-11 Surface-Mounted

Rough wall opening: 28" W x 14" H x 0.25" D  
(711 x 356 x 6 mm)



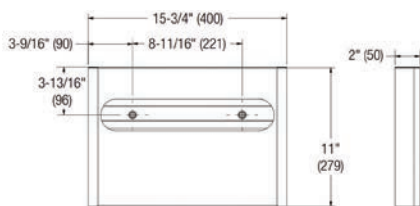
**NEW 5B1-110000**



Surface-mounted, medium capacity. 20-gauge, 300 series stainless steel in a brushed #3 satin finish or optional electrocoat finishes. Welded, D-shape construction. Wall Saver technology, Easy-feed operation. Capacity of 250 toilet seat covers.

See technical data for BradEx options **BX**

11" H x 15.75" W x 2" D  
(279 x 400 x 50mm)



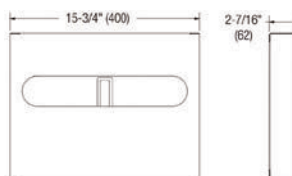
**NEW 5B1-113600**



Surface-mounted, large capacity. 20-gauge, 300 series stainless steel in a brushed #3 satin finish or optional electrocoat finishes. Welded, D-shape construction. Wall Saver technology, Easy-feed operation. Capacity of 500 toilet seat covers.

See technical data for BradEx options **BX**

11.9375" H x 15.75" W x 2.4375" D  
(304 x 400 x 62mm)



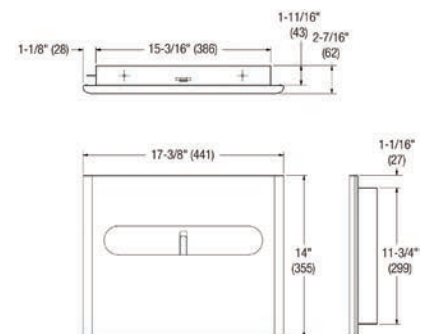
**NEW 5B1-003600**



Recessed, large capacity. 20-gauge, 300 series stainless steel in a brushed #3 satin finish or optional electrocoat finishes. Welded, D-shape construction. Wall Saver technology, Easy-feed operation. Capacity of 500 toilet seat covers.

See technical data for BradEx options **BX**

14" H x 17.375" W x 2.4375" D  
(355 x 441 x 62mm)



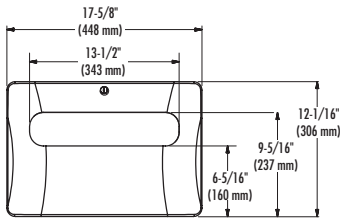


**5A40-11**



Designed with unique dual-curve geometry. Constructed of architectural satin finish stainless steel. Surface-mounted seat cover dispenser. Dispenses 250 standard single or half-fold paper toilet seat covers.

Unit measures 17.625" W x 12.0625" H x 1.75" D  
(448 x 306 x 44 mm)



**583**

Surface-mounted seat cover dispenser. Dispenses 500 standard single or half-fold paper toilet seat covers.

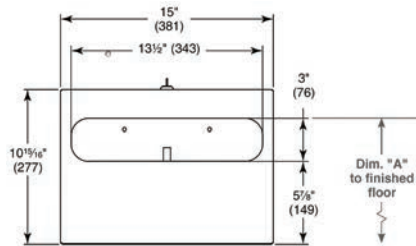
Unit measures 15" W x 11.5" H x 2.375" D  
(381 x 292 x 60 mm)

**5831**



Unit dispenses 250 toilet seat covers (shown).

Unit measures 15.75" W x 11" H x 2" D  
(400 x 279 x 51 mm)

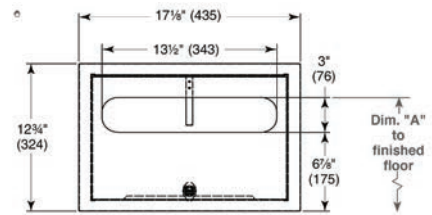


**584**



Recess-mounted seat cover dispenser. Dispenses 500 standard single or half-fold paper toilet seat covers.

Rough wall opening: 15.75" W x 11.375" H x 2.75" D  
(400 x 289 x 70 mm)

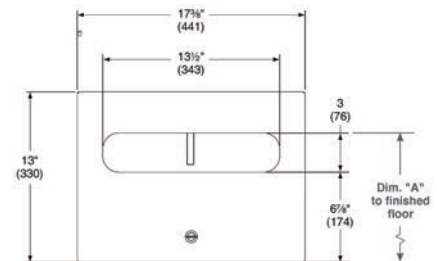


**5847**



Recess-mounted, seat cover dispenser. Dispenses 500 standard single or half-fold toilet seat covers.

Rough wall opening: 15.625" W x 11.25" H x 2.75" D  
(397 x 286 x 70 mm)



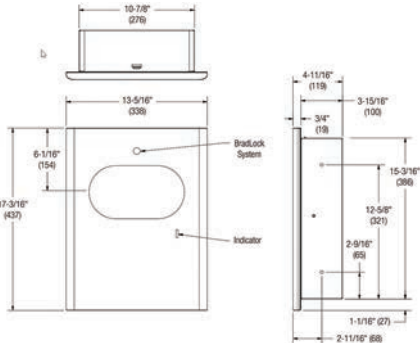


**NEW 4B2-000000**

Recessed, Capacity 1.5 gal (0.2 cu. ft.). Equipped with push flap door with concealed hinges, hinged drop-down service door. Wall Saver technology, unique use indicator. 20-gauge, 300 series stainless steel in a brushed #3 satin finish or optional electrocoat finishes.

See technical data for BradEx options **BX**

17.1875" H x 13.3125" W x 4.6875" D  
(437 x 338 x 119mm)

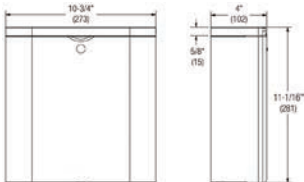


**e NEW 4B2-110000**

Surface-mounted, Capacity 1.5 gal (0.2 cu. ft.). Equipped with top and bottom hinged covers, accepts owner's disposable liners. Unique use indicator. 20-gauge, 300 series stainless steel in a brushed #3 satin finish or optional electrocoat finishes.

See technical data for BradEx options **BX**

11.0625" H x 10.75" W x 4" D  
(281 x 273 x 102mm)

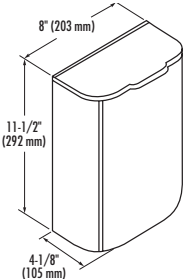


**e 4781-11**

**BX**

Surface-mounted napkin disposal unit has hinged cover and bottom with lock. Uses disposable, wet-strength paper liner.

Unit measures 8" W x 11.5" H x 4.125" D  
(203 x 292 x 105 mm)

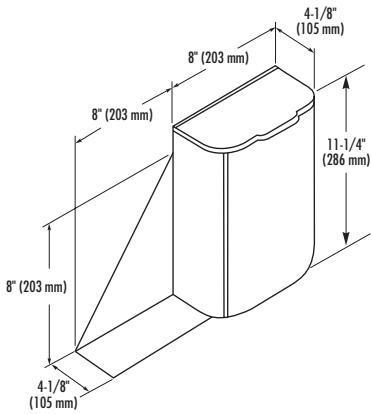




**NEW 4791-11**

Surface-mounted napkin disposal with integral shelf has hinged cover and bottom with tumbler lock. Shelf welded to waste receptacle. Uses disposable, wet-strength paper liner.

Unit measures 16" W x 11.25" H x 4.125" D  
(406 x 286 x 105 mm)

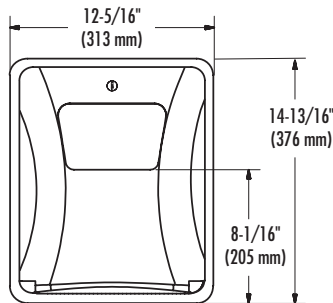


**4A00**

Designed with unique dual-curve geometry. Constructed of architectural satin finish stainless steel. 1.5 gal (5.7 L), recess-mounted napkin disposal with push-flap door. Removable plastic disposal.

-10 Semi-recessed 2" (51 mm) in wall, projects 3.75" (95 mm) from wall.

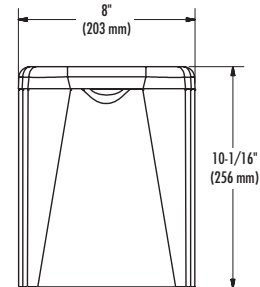
Rough wall opening: 11.25" W x 13.75" H x 4" D  
(286 x 349 x 102 mm)



**4A10-11**

Designed with unique dual-curve geometry. Constructed of architectural satin finish stainless steel. 1.5 gal (5.7 L), surface-mounted napkin disposal with hinged cover. Accepts all after-market industry liners.

Unit measures 8" W x 10.0625" H x 3.875" D  
(203 x 256 x 98 mm)





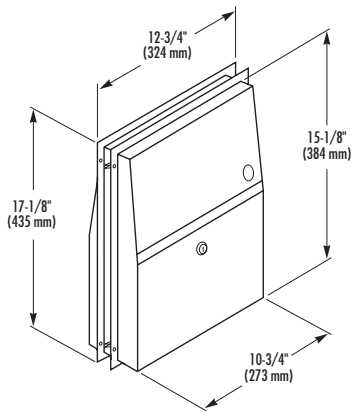
**4721-15**



Mounts in partition to serve two compartments. Two push-flap doors and stainless steel waste receptacle removable from one side. Flange adjusts for partitions from 0.5" (13 mm) to 1.25" (32 mm) thick. Uses disposable, wet-strength paper liner. 1.5 gal (5.7 L) capacity.

Note: If used with an odd number of compartments, use one Model 4722-15 in side wall of end compartment.

Partition opening 11" W x 15.375" H (279 x 391 mm)

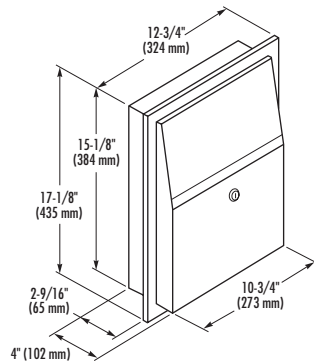


**4722-1015**

Semi-recessed napkin disposal unit with push-flap door and removable, stainless steel receptacle. Uses disposable, wet-strength paper liner.

Rough wall opening: 11" W x 15.375" H x 2.5" D (279 x 391 x 64 mm)

Unit projects 1.4375" (37 mm) from finished wall.

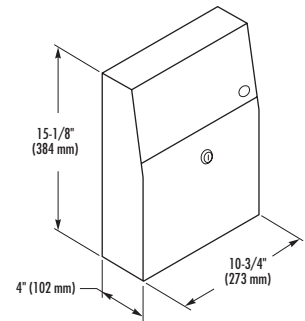


**4722-15**



Surface-mounted napkin disposal unit with push-flap door and removable, stainless steel receptacle. Uses disposable, wet-strength paper liner.

Measures 10.75" W x 15.125" H x 4" D (273 x 384 x 102 mm)





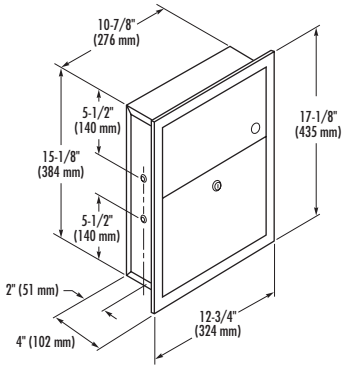
**4731-15**



Recess-mounted napkin disposal unit with push-flap door and removable, stainless steel receptacle. Uses disposable, wet-strength paper liner. May also be used as a small-capacity waste receptacle.

Rough wall opening: 11.375" W x 15.375" H x 4" D (289 x 391 x 102 mm)

Unit projects 1.4375" (37 mm) from finished wall



**4737**

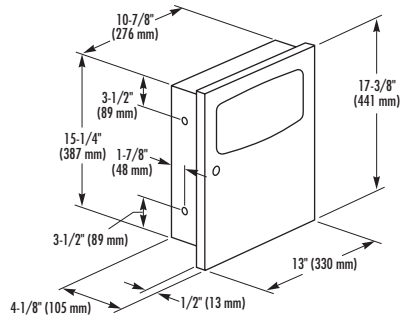


Recess-mounted napkin disposal with push-flap door. Removable, leak-proof, molded-plastic insert.

Rough wall opening: 11.375" W x 15.375" H x 4" D (289 x 391 x 102 mm). Note: Only recessed and semi-recessed.

-10 Semi-recessed 2.125" (54 mm) in wall, projects 2" (51 mm) from wall.

-11 Surface-mounted projects 4.125" (105 mm) from wall.





All Bradley dispensers combine smooth, contemporary styling with durable, vandal-resistant construction. Doors feature full-length piano hinges and tumbler locks for added security and maintenance ease. Configurations range from semi-recessed and recessed to surface-mounted and partition-mounted models.

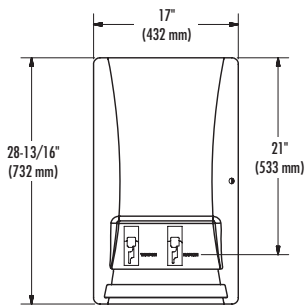


**4A20**

Designed with unique dual-curve geometry. Constructed of architectural satin finish stainless steel. Recess-mounted napkin/tampon vendor. Dispenses 18 napkins and 28 tampons. Specify coin choice (Free or 25¢).

- 11 Surface-mounted projects 5.75" (146 mm) from wall.
- 40 Free Operation **BX**
- 45 25¢ Coin Operation

Rough wall opening: 16.125" W x 27.875" H x 4" D (410 x 708 x 102 mm)

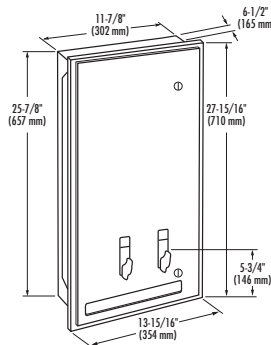


**401**

Recessed napkin/tampon vendor. Dispenses 30 napkins and 28 tampons. Slip-type flange permits full or partial recess installation or can be discarded for surface mounting. Coin mechanism may be replaced in the field without removing cabinet from wall. Specify coin choice (Free or 25¢).

- 40 Free Operation
- 45 25¢ Coin Operation

Rough wall opening: 12.5" W x 26.375" H x 6" D (318 x 670 x 152 mm)

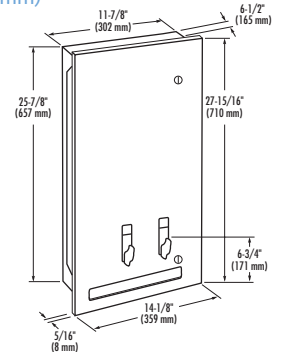


**BX 4017**

Recessed napkin/tampon vendor. Dispenses 30 napkins and 28 tampons. Full-length piano hinge and two tumbler locks. Coin mechanism may be replaced in the field without removing cabinet from wall. Specify coin choice (Free or 25¢).

- 10 Semi-Recessed 4" (102 mm) in wall, projects 2" (51 mm) from wall.
- 11 Surface-mounted Projects 6.75" (171 mm) from wall.
- 40 Free Operation **BX**
- 45 25¢ Coin Operation

Rough wall opening: 12.5" W x 26.375" H x 6.5" D (318 x 670 x 165 mm)

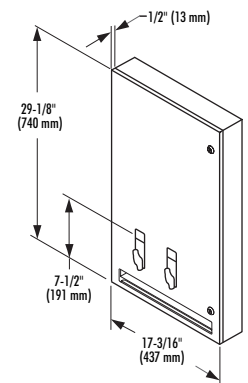


**407**

Recessed napkin/tampon vendor. Dispenses 18 napkins and 28 tampons. Shallow design permits unit to be fully recessed in a standard 4" (102 mm) deep wall. Coin mechanism may be replaced in the field without removing cabinet from wall. Specify coin choice (Free or 25¢).

- 11 Surface-mounted projects 4-3/8" (111 mm) from wall.
- 40 Free Operation **BX**
- 45 25¢ Coin Operation **BX**
- 1145 Surface-mounted with 25¢ Coin Operation

Rough wall opening: 16.125" W x 27.875" H x 4" D (410 x 708 x 102 mm)





**NEW 962**



Recess-mounted unit with polyethylene body and barrier-free design. Brushed stainless steel exterior. Standard with molded, dual-liner dispenser (holds approximately 50 per dispenser). Safety belt with cam-buckle is adjustable with one hand. Pneumatic gas shock mechanism ensures smooth, safe open and close motions. Rated to support static load of 250 lb (113.4 Kg).

**NEW 962-11**



Surface-mounted.

**NEW 963**

Bacterial-resistant, high-density polyethylene with steel-to-steel support hinges. Pneumatic gas shock mechanism opens and closes unit smoothly. Liner dispenser and purse/diaper bag hooks molded in. Nylon buckle is adjustable with one hand. Gray and white speckled.

**NEW 9631**



Solid Light Gray Color.

**NEW 9632**



Ivory color.

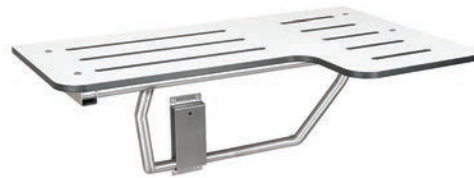
**NEW 9633**

Black color.

**NEW 964**



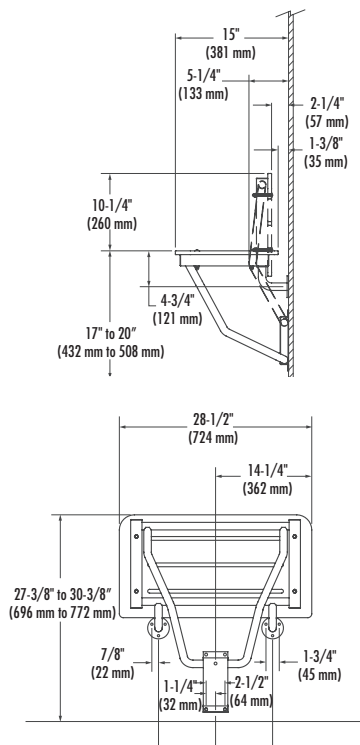
Toddler wall seat. Bacterial-resistant, high-density polyethylene with steel-to-steel support hinges. Pneumatic gas shock mechanism opens and closes unit smoothly. Nylon buckle is adjustable with one hand. Gray.



9562



Folding, phenolic shower seat. Stainless steel tubing with stainless steel wall bracket and piano hinges. Seat of 0.5" (13 mm) solid phenolic. Folds to vertical position when not in use. Designed to support up to 400 lb (181.4 Kg) static load.

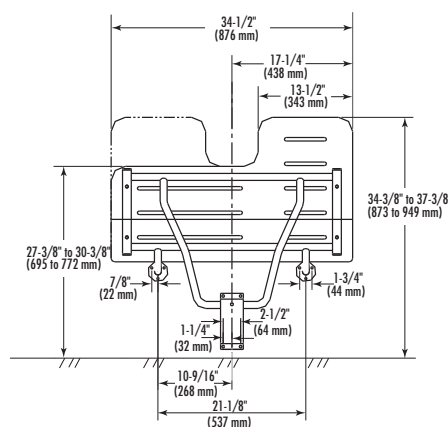


9569



Frame fabricated with satin finish, stainless steel, 16-gauge U-channel and 18-gauge 1" (25 mm) diameter tubing. Seat constructed of 0.5" (13 mm) thick solid phenolic with white matte melamine finish. Reversible in field to be right or left. Barrier-free design. For color options, please see website. When properly installed, designed to support up to 250 lb (113.4 Kg) static load.

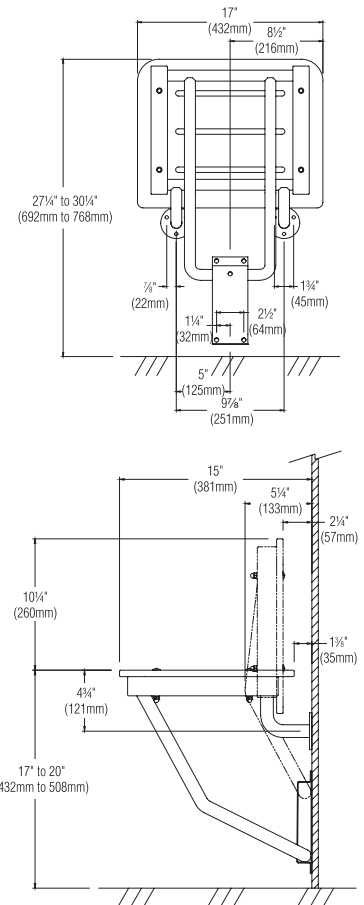
Reversible – Accommodates Right or Left Hand Configuration



NEW 9591



Folding, phenolic shower seat. Stainless steel tubing with stainless steel wall bracket and piano hinges. Seat of 0.5" (13 mm) solid phenolic. Folds to vertical position when not in use. Designed to support up to 500 lb (226.8 Kg) static load.

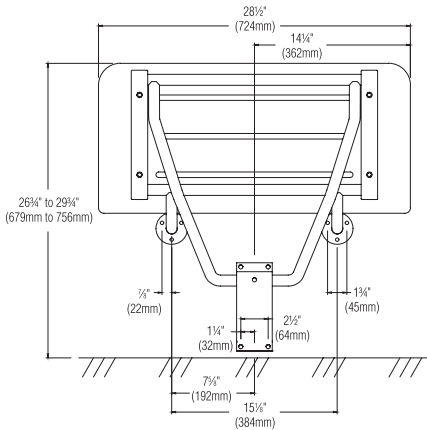




**NEW 9593**

Folding, Bradmar™ solid plastic shower seat. Stainless steel tubing with stainless steel wall bracket and piano hinges. Seat of 1" (25 mm) thick high-density polyethylene. All exposed edges are machined smooth. Square configuration. Folds to vertical position when not in use. Designed to support up to 400 lb (181.4 Kg) static load.

Color: Linen with stone textured finish.

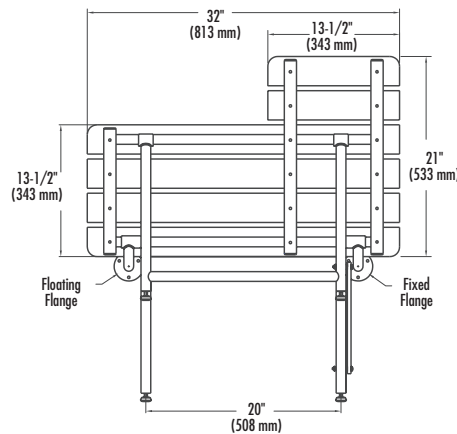


**957**

Folding bariatric shower seat with left hand configuration and barrier-free design. Frame fabricated of stainless steel tubing, 1.25" (32 mm) x 18-gauge square main frame with 1" (25 mm) x 18-gauge round cross members. Seat of 0.5" (13 mm) thick solid phenolic with white matte melamine finish. When properly installed, designed to support at least 1200 lb (544.3 Kg).

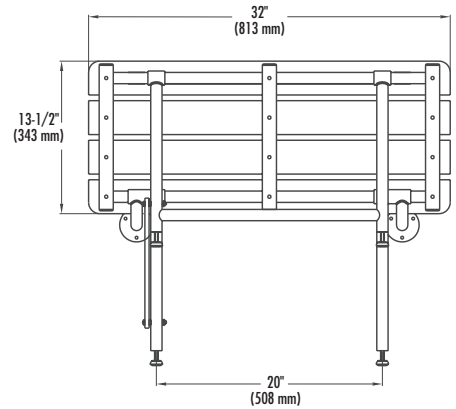
**9571**

Right Hand Configuration



**958**

Folding bariatric shower seat with barrier-free design. Frame fabricated of stainless steel tubing, 1.25" (32 mm) x 18-gauge square main frame with 1" (25 mm) x 18-gauge round cross members. Seat of 0.5" (13 mm) thick solid phenolic with white matte melamine finish. When properly installed, designed to support at least 1200 lb (544.3 Kg).





**9533**



Vinyl shower curtain. Fabricated of 6-gauge vinyl material. Hemmed edges and heat-sealed grommets on 6" (152 mm) centers. Curtain is white in color.

**9537**



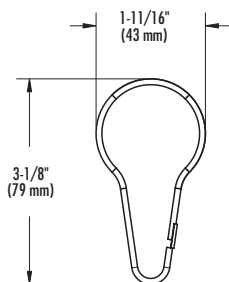
Same as model 9535 shower curtain in white.

All shower curtains are available in widths of 36" (914 mm), 42" (1067 mm), 48" (1219 mm), 60" (1524 mm) or 72" (1829 mm) and heights of either 72" (1829 mm) or 78" (1981 mm).



**9536**

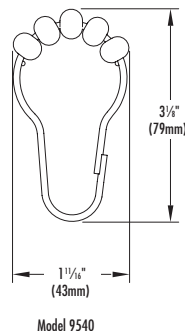
Shower curtain hook. Fabricated of stainless steel spring.



**BX 9540**

Shower curtain hook with rollers. Fabricated of stainless steel wire with snap fastener.

See technical data from website.

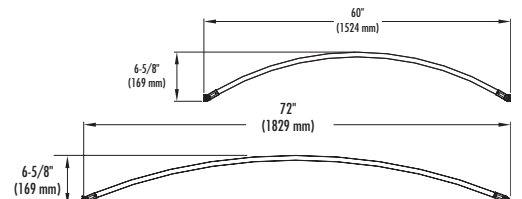


**BX 9530-60**

Shower curtain rod fabricated of stainless steel, seamless construction with exposed surfaces in architectural satin finish. Accommodates 60" (1524 mm) shower stall increasing space in shower stall.

**9530-72**

Accommodates 72" (1829 mm) shower stall increasing space in shower stall.





**9531**



Heavy-duty shower curtain rod with exposed mounting. Rod of 18-gauge, satin finish stainless steel; 1.25" (32 mm) O.D. Flanges of 22-gauge, satin finish stainless steel; 3" (76 mm) O.D.

BradEx Sizes: 36", 42", 48" and 60"  
(914, 1067, 1219 and 1524 mm)



**9539**



Heavy-duty shower curtain rod with concealed mounting. Fabricated of satin finish stainless steel; 1.25" (32 mm) O.D. Flanges 3.1875" (81 mm) O.D. Escutcheons snap over flanges to provide concealed mounting.

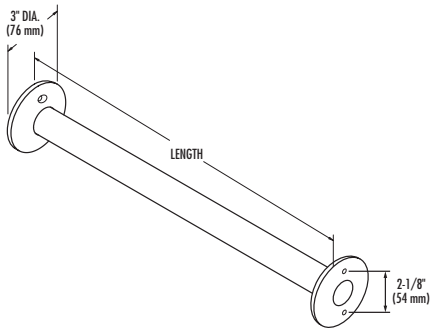
BradEx Sizes: 36", 48" and 60"  
(914, 1219 and 1524 mm)

**953**



Shower curtain rod of satin finish stainless steel; 1" (25 mm) O.D.

BradEx Sizes: 36", 48", 60" and 72"  
(914, 1219, 1524 and 1829 mm)

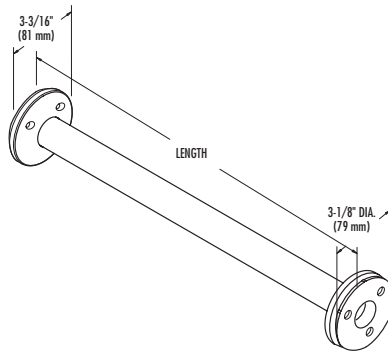


**9538**



Shower curtain rod of satin finish stainless steel; 1" (25 mm) O.D.

BradEx Sizes: 36", 42", 48", 60" and 72"  
(914, 1067, 1219, 1524 and 1829 mm)

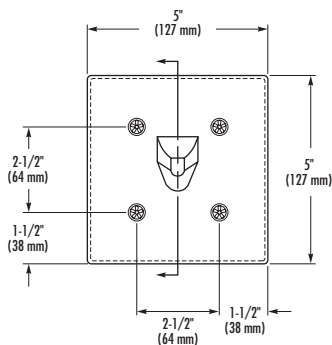


You can rely on Bradley for a complete line of durable Security Fixtures for penal institutions and detention facilities. Our broad-based accessory line ranges from bookshelves and clothes hooks to soap dishes and tissue holders. All are fabricated of heavy-duty stainless steel.



**SA31**

Front-mounted (shown)



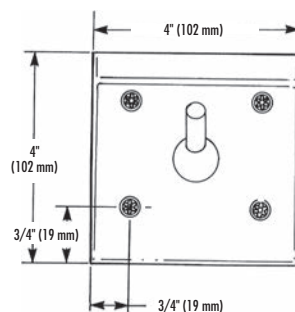
**SA35**

Security towel hook backplate fabricated of heavy-duty stainless steel in architectural satin finish. Safety hook of stainless steel with pivoting ball joint that releases when excessive force is applied. Chase-mounted (shown to the left, top).

Unit measures 4" W x 4" H (102 x 102 mm)  
Projects 2.25" (57 mm) from wall

**SA36**

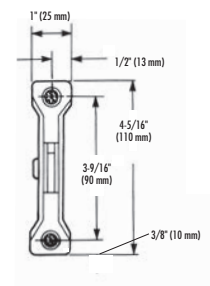
Front-mounted (shown to the left, bottom)

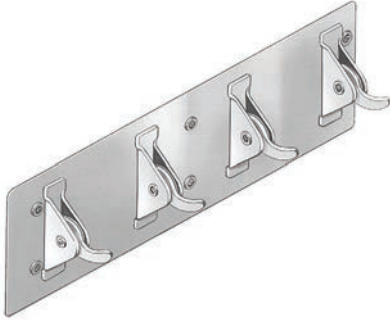


**SA37**

Safety clothes hook. Bracket is fabricated of heavy-duty stainless steel with stainless steel hook. Hook trips into down position when excessive loading is applied. Tension can be adjusted by special torx driver. Front-mounted.

Unit measures 1" W x 4.3125" H (25 x 110 mm)  
Projects 3" (76 mm) from wall



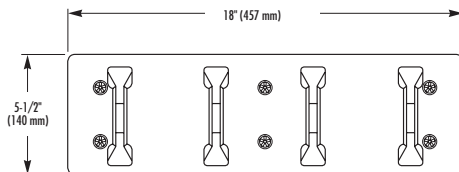


**SA39**

Security clothes hook strip. Bracket is fabricated of heavy-duty stainless steel with stainless steel hook. Hook trips into down position when excessive loading is applied. Front-mounted.

Unit measures 18" W x 5.5" H (457 x 140 mm)

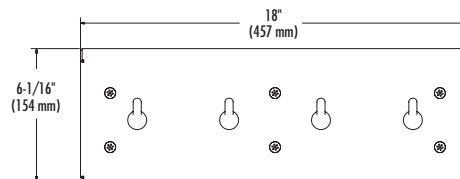
Projects 3" (76 mm) from wall



**SA41**

Security towel hook strip fabricated of heavy-duty stainless steel with exposed surfaces in architectural satin finish. All seams are welded and ground smooth. Safety hooks with pivoting ball joints that release when excessive force is applied.

Unit measures 18" W x 6.0625" H x 2.25" D (457 x 154 x 57 mm)

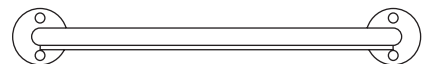


**SA70**



Grab bar, heavy-duty stainless steel tubing 1.5" (38 mm) O.D. with welded stainless steel mounting flanges. Meets or exceeds the requirements of ANSI Standard A117.1, the ADA and ABA Accessibility Guidelines for Buildings and Facilities (ADAAG) and the Uniform Federal Accessibility Standard (UFAS). Exposed front mounting with torx-head screws with welded stainless steel closure plate. Available in -001 Configuration.

See technical data for BradEX sizes. **BX**







### SA01

Security mirror frame fabricated of 14-gauge stainless steel. Reinforced with fiberboard backing. Chase-mounted with welded anchor nuts on back of frame. Furnished with 0.25"-20 threaded studs cut to length for specified wall thickness. Designed for areas where ordinary mirrors are subject to breakage or theft, or can be used as weapons.

-1 20-gauge, 300 series stainless steel polished to a No. 8 architectural finish.

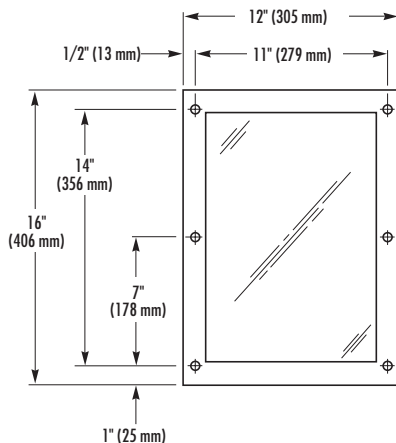
-2 20-gauge, 400 series stainless steel with bright annealed finish.

-5 Plexiglas® mirror.

Unit measures 12" W x 16" H (305 x 406 mm)

### SA03

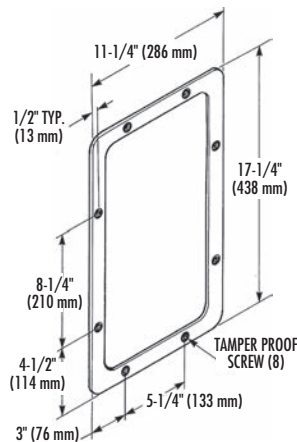
Front mounted furnished with vandal-resistant, torx-head machine screws.



### SA05

Integral frame security mirror fabricated of stainless steel polished to No. 8 architectural bright finish. Counter-sunk holes for mounting. Furnished with 0.25" (6 mm) tamper-resistant machine screws. Designed for areas where ordinary mirrors are subject to breakage or theft, or can be used as weapons (shown).

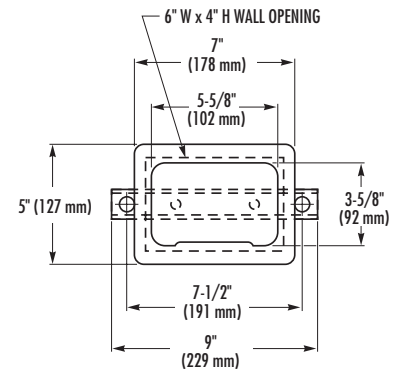
Unit measures 11.25" W x 17.25" H (286 x 438 mm)



### SA16

Chase-mounted, recessed soap dish fabricated of heavy-duty stainless steel with exposed surfaces in architectural satin finish. Rim of dish is beveled to insure tight fit to wall surface. Threaded studs are provided for rear chase mounting to specified wall thickness.

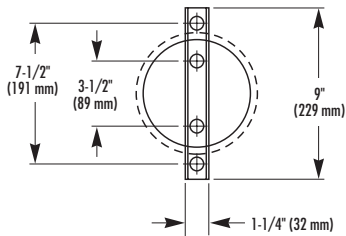
Unit measures 5.625" W x 3.625" H x 2.75" D (143 x 92 x 70 mm) with 5" x 7" (127 x 178 mm) flange





**SA11**

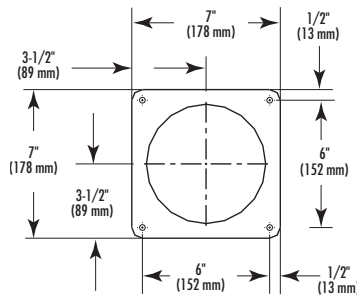
Chase-mounted, recessed, roll toilet paper holder is one-piece, drawn stainless steel, seamless construction, 4.3125" (110 mm) deep, 5.5" (140 mm) inside diameter. Roll will project if contraband is concealed behind tissue. Threaded studs are provided for rear mounting to specified wall thickness.



**SA12**

Front-mounted, recessed, roll toilet paper holder is one-piece, drawn construction with welded front flange plate. Unit is 4.3125" (110 mm) deep, 5.5" (140 mm) inside diameter. Roll will project if contraband is concealed behind tissue.

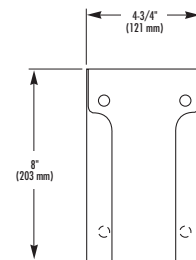
Unit measures 7" W x 7" H x 4.5" D (178 x 178 x 114 mm)



**SA13**

Security toilet paper holder is fabricated of heavy-duty, seamless stainless steel with exposed surfaces in architectural satin finish. Interior is satin-gloss blast finish. All welds and edges are ground smooth and corners are rounded. Chase-mounted.

Unit measures 4.75" W x 8" H (121 x 203 mm)  
Projects 2.75" (70 mm) from wall.



Bradley offers quality crafted accessories for hotel washrooms and showers. Sturdy, stainless steel construction provides years of dependable service. Attractive, streamlined design works well with contemporary or traditional styling. Available in a variety of finishes to complement any hotel decor.

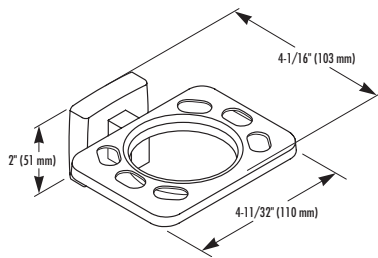


9044



Surface-mounted stainless steel tumbler and toothbrush holder. Concealed mounting plate with set screw. Satin Finish.

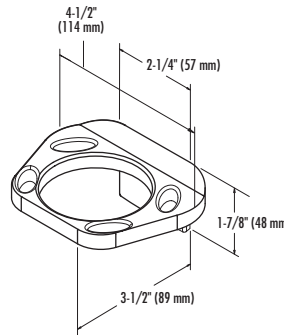
Unit measures 4.34375" W x 4.0625" D (110 x 103 mm)



924

Surface-mounted tumbler and toothbrush holder. Concealed mounting plate with set screw. Chrome-plated Zamac.

Unit measures 4.5" W x 3.5" D (114 x 89 mm)

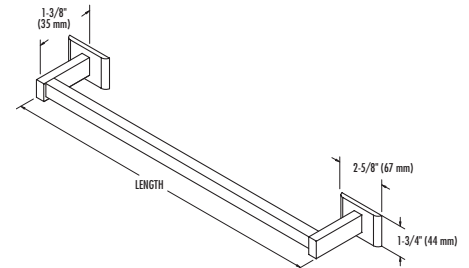


907



Towel bar. Snaps over concealed mounting plate. Chrome-plated brass.

Available in 18," 24" and 36" (457 mm, 610 mm and 914 mm) widths. Projects 1.375" (35 mm) from wall.



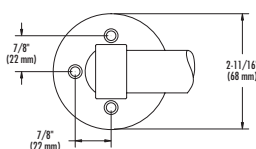
908

Heavy-duty, surface-mounted, round towel bar. Support posts are Chrome-plated brass with satin finish. Bar is satin finish stainless steel, 1" (25 mm) O.D. Satin Finish.

-18 18" (457 mm) Length

-24 24" (610 mm) Length **BX**

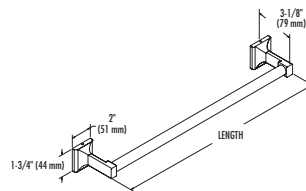
Available in 18," 24" and 30" (457, 610 and 762 mm) widths. Projects 3.25" (83 mm) from wall.



926

Surface-mounted, 0.75" (19 mm) round towel bar. Concealed mounting plate with set screw. Chrome-plated Zamac.

Available in 18" and 24" (457 and 610 mm) widths. Projects 3.125" (79 mm) from wall.



9054



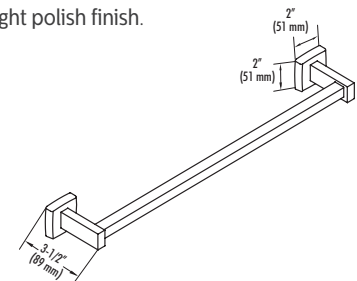
Surface-mounted stainless steel, 0.75" (19 mm) square towel bar. Concealed mounting plate with set screw. Satin Finish.

Available in 18," 24" and 30" (457, 610 and 762 mm) widths. 30" (762 mm) not available for BradEX shipment. Projects 3" (76 mm) from wall.

9055



Bright polish finish.





**9065**

Surface-mounted stainless steel, 0.75" (19 mm) round towel bar. Concealed mounting plate with set screw. Satin Finish.

Available in 18," 24" and 30"\* (457, 610 and 762 mm) widths. 30" (762 mm) not available for BradEX® shipment. Projects 3" (76 mm) from wall.



**9094**

Surface-mounted stainless steel, 5" (127 mm) D shelf. Concealed mounting plate with set screw. Satin Finish.

Available in 18" or 24" (457 and 610 mm) widths. Projects 6.25" (159 mm) from wall.



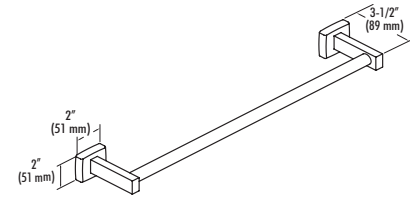
**9104**

Surface-mounted stainless steel, 8" (203 mm) D towel shelf. Concealed mounting plate with set screw. Satin Finish.

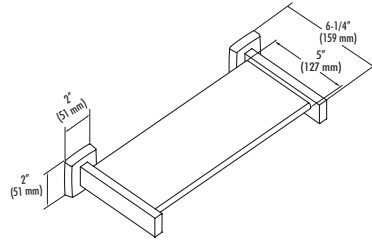
Available in 18" or 24" (457 and 610 mm widths). See technical data for BradEX sizes **BX**

**9066**

Bright polish finish.



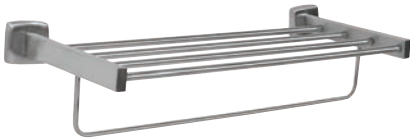
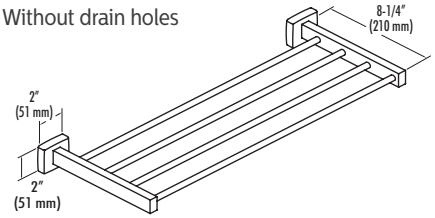
**BX**



**9105**

Bright polish finish.

-63 Without drain holes



**9104-90**

Surface-mounted stainless steel, 8" (203 mm) D towel shelf with towel bar. Concealed mounting plate with set screw. Satin Finish.

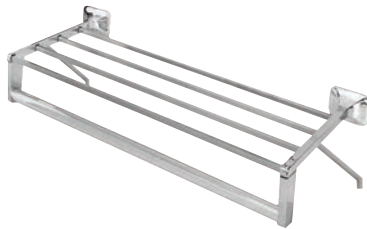
Available in 18" or 24" (457 or 610 mm) widths.



**927**

Surface-mounted, 0.75" (19 mm) square towel bar. Concealed mounting plate with set screw. Chrome-plated Zamac.

Available in 18" and 24" (457 and 610 mm) widths. Projects 3.125" (79 mm) from wall.



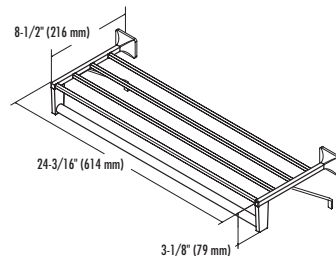
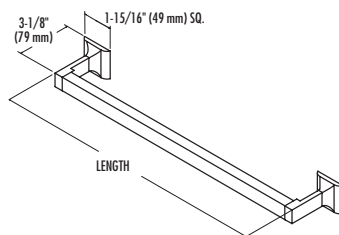
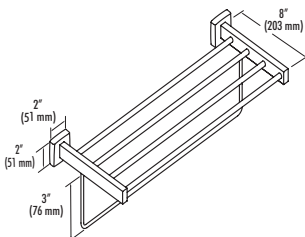
**9301**

Surface-mounted, 8.5" (216 mm) D towel shelf with towel bar and support braces. Concealed mounting plate with set screw. Chrome-plated Zamac.

Available in 18" or 24" (457 and 610 mm) widths.

**9105-90**

Bright Polish Finish.



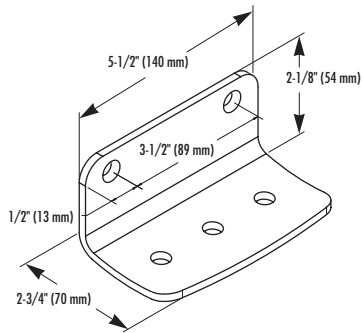


900



Surface-mounted stainless steel, extra heavy-duty, 7-gauge soap dish with drain holes. Satin Finish.

Unit measures 5.5" W x 2.125" H x 2.75" D (140 x 54 x 70 mm)



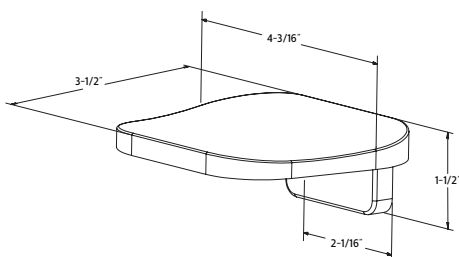
921

Surface-mounted soap dish. Concealed mounting plate with set screw. Chrome-plated Zamac.

Unit measures 4.1875" W x 1.5" H x 3.5" D (106 x 38 x 89 mm)

921-60

With Drain Holes.



9014



Surface-mounted stainless steel soap dish with drain holes. Concealed mounting plate with set screw. Satin Finish.

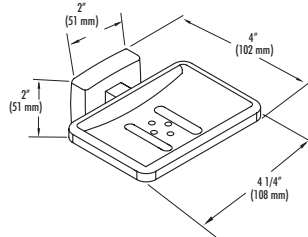
-63 Without Drain Holes

Unit measures 4.25" W x 4" D (108 x 102 mm)

9015



Bright Polish Finish

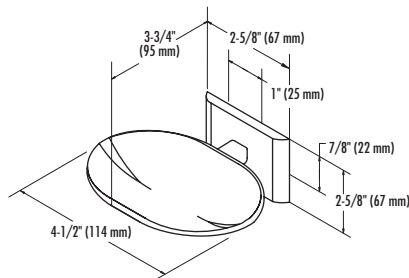


901

Soap dish. Snaps over concealed mounting plate. Chrome-plated brass.

901-60

With Drain Holes.



9401



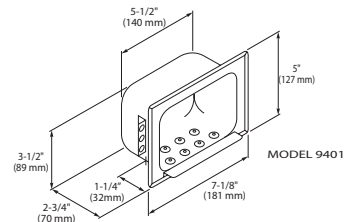
Recess-mounted stainless steel soap dish.

Rough wall opening: 6.25" W x 4.25" H x 2.75" D (159 x 108 x 70 mm) with mortar lugs (shown to the left, top)

9403



With Wall Clamp

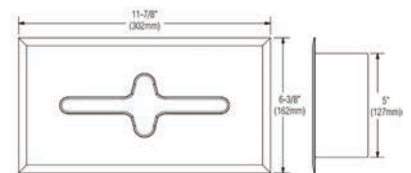


987



Recess-mounted facial tissue dispenser fabricated of stainless steel with exposed surfaces in satin finish. Rolled rim on face plate opening. Holds one box of 100 tissues. Satin Finish.

Unit measures 11.625" W x 6.25" H x 2.625" D (295 x 159 x 67 mm)



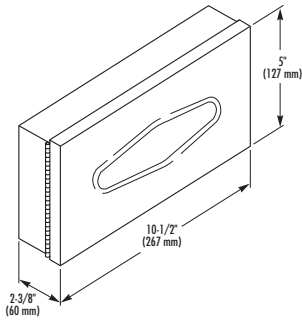


**987-11**

Surface-mounted facial tissue dispenser fabricated of stainless steel with exposed surfaces in satin finish. Holds one box of 100 tissues. Satin Finish.

Unit measures 10.5" W x 5" H x 2.375" D  
(267 x 127 x 60 mm)

See [bradleycorp.com](http://bradleycorp.com) for exact dimensions.

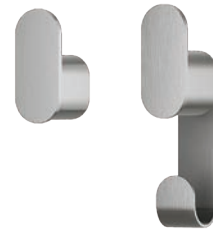
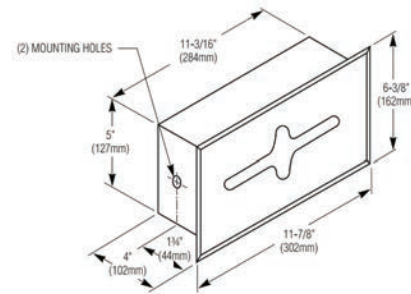


**987-36**

Recess-mounted, large-capacity facial tissue dispenser fabricated of stainless steel with exposed surfaces in satin finish. Holds one box of 300 tissues. Satin Finish.

Rough wall opening: 10.75" W x 5.125" H x 4" D  
(273 x 130 x 102 mm)

See [bradleycorp.com](http://bradleycorp.com) for exact dimensions.



**9B1-110000**

Surface-mounted stainless steel hook. 14-gauge, 300 series stainless steel in a brushed #3 satin finish or optional electrocoat finishes.

See technical data for sizes and BradEx options

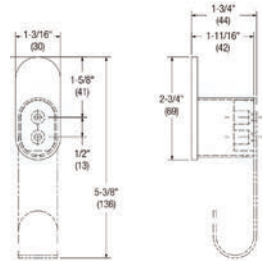
2-3/4" H x 1-3/16" W x 1-11/16" D  
(69 x 30 x 42mm)

**9B1-110200**

Double Hook.

See technical data for sizes and BradEx options

5-3/8" H x 1-3/16" W x 1-3/4" D  
(136 x 30 x 44mm)



**9114**

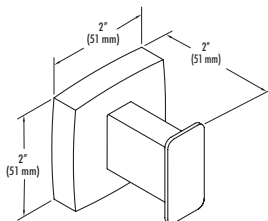
Surface-mounted stainless steel, single robe hook. Concealed mounting plate with set screw. Satin Finish.

Units measure 2" W x 2" H (51 x 51 mm)

Projects 2" (51 mm) from wall

**9115**

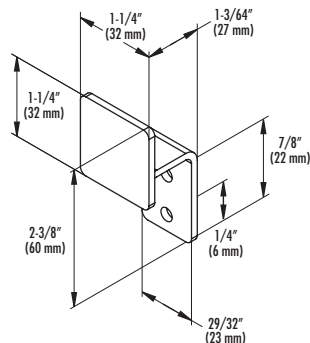
Bright Polish Finish



**917**

Surface-mounted stainless steel, single robe hook. Exposed mounting. Satin Finish.

Projects 1.125" (29 mm) from wall



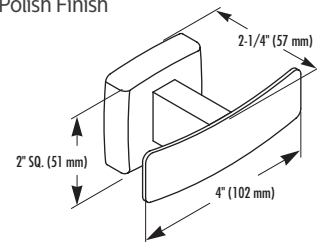
**9124**

Surface-mounted stainless steel, double robe hook. Concealed mounting plate with set screw. Satin Finish.

Projects 2.25" (57 mm) from wall

**9125**

Bright Polish Finish





9314



Surface-mounted stainless steel towel hook. Concealed mounting plate with set screw. Satin Finish.

Projects 4.4375" (113 mm) from wall



931

Surface-mounted, single robe hook. Concealed mounting plate with set screw. Chrome-plated Zamac

Projects 2.125" (54 mm) from wall



9311

Surface-mounted towel hook. Concealed mounting plate with set screw. Chrome-plated Zamac.

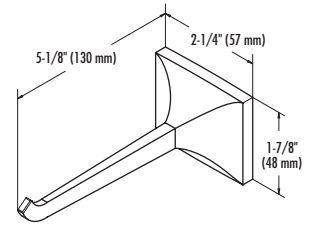
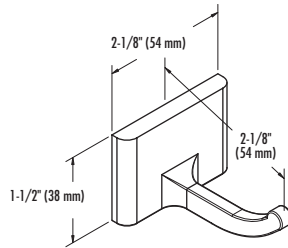
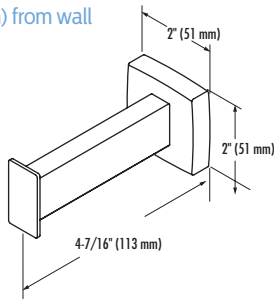
Projects 5.125" (130 mm) from wall.

9315



Bright Polish Finish.

Projects 4.125" (105 mm) from wall



932



Surface-mounted, double robe hook. Concealed mounting plate with set screw. Chrome-plated Zamac.

Projects 1.5" (38 mm) from wall



911

Single robe hook. Snaps over concealed mounting plate. Chrome-plated brass.

Projects 2" (51 mm) from wall

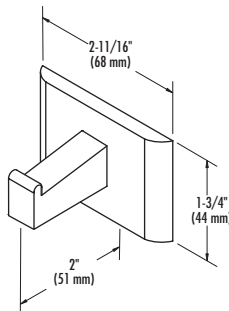
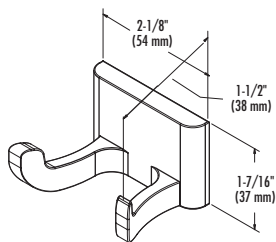


9118

Robe hook constructed of forged brass with bright chrome finish. Exposed mounting.

-81 Satin chrome-plated brass

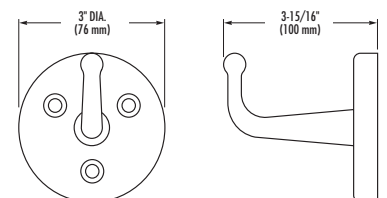
Unit measures 3" (76 mm) in diameter  
Projects 3.9375" (100 mm) from wall



9119



Concealed Mounting



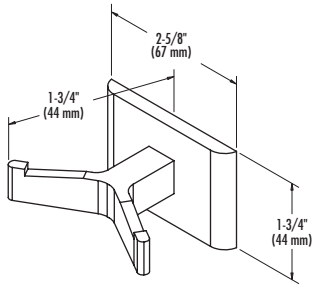


912



Double robe hook. Snaps over concealed mounting plate. Chrome-plated brass.

Projects 1.75" (44 mm) from wall

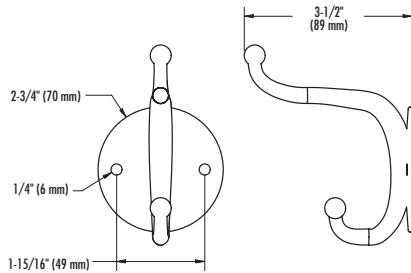


914



Double hook. Exposed fasteners. Unit measures 2.75" in diameter. Chrome-plated brass.

Projects 1.5" (38 mm) and 3.5" (89 mm) from wall

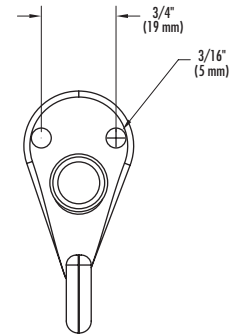


915



Hook and bumper. Exposed fasteners. Chrome-plated brass.

Projects 3" (76 mm) from wall.



9134



Surface-mounted stainless steel, combination hat and coat hook. Concealed mounting plate with set screw. Satin Finish.

Projects 2.625" (67 mm) from wall



9334



Surface-mounted stainless steel towel ring. Concealed mounting plate with set screw. Satin Finish.

Projects 2.375" (60 mm) from wall



934



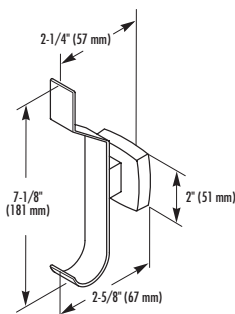
Surface-mounted towel ring. Concealed mounting plate with set screw. Chrome-plated Zamac.

Projects 1.75" (44 mm) from wall

9135



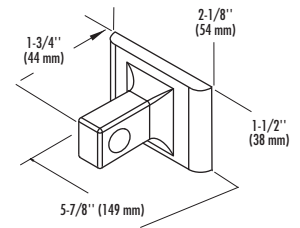
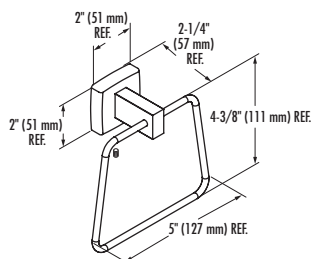
Bright Polish Finish.



9335



Bright Polish Finish





**947**

Surface-mounted retractable clothesline.  
Constructed of heavygauge No. 8 bright polished  
stainless steel. Cord length is 6' (1.83 M).

Bradley offers a variety of hook, holder and shelf combinations to organize custodial equipment. Different configurations are available to fit any need or any space. Welded stainless steel construction stands up to tough use. Available in architectural satin finish.



**9933**



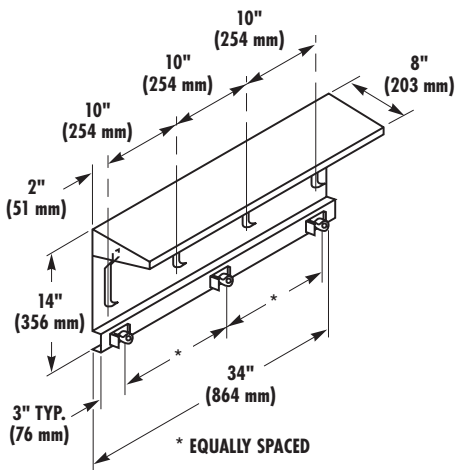
One-piece construction with welded gusset and hooks. Mop and broom holders consist of spring-activated rubber cams on plated steel retainers. 4 hooks and 3 holders.

Unit measures 14" H x 34" L (356 x 864 mm)  
Shelf projects 8" (203 mm) from wall

**9934**

5 hooks and 4 holders

Unit 44" (1118 mm) L



**9943**



3 hooks.=

Unit measures 7.25" H x 24" L (184 x 610 mm)  
Projects 2.25" (57 mm) from wall.

**9944**

4 hooks

Unit 36" (914 mm) L

**9945**

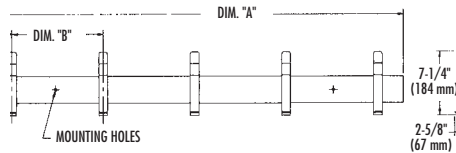
5 hooks

Unit 48" (1219 mm) L

**9946**

6 hooks

Unit 60" (1524 mm) L



**9953**



Surface-mounted mop and broom holder.

Fabricated of satinfinish stainless steel. Mop and broom holders consist of spring-activated rubber cams on plated-steel retainers. 3 holders.

Unit measures 4" H x 24" L (102 x 610 mm)  
Projects 2.75" (70 mm) from wall

**9954**

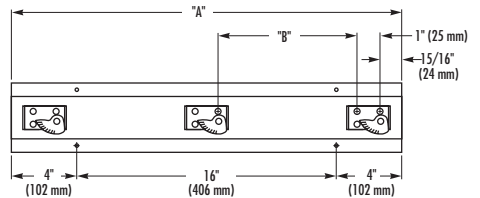
4 holders

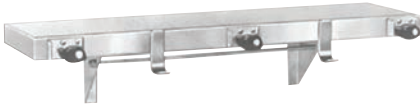
Unit 36" (914 mm) L

**9955**

5 holders

Unit 48" (1219 mm) L





## 9983

Surface-mounted utility shelf with drying rod.  
Fabricated of satinfinish stainless steel. Mop and broom holders of spring-activated rubber cams on plated-steel retainers. 2 hooks and 3 holders.

Unit measures 30" L x 8" D (762 x 203 mm)

## 9984



3 hooks and 4 holders

Unit 36" (914 mm) L

## 9985

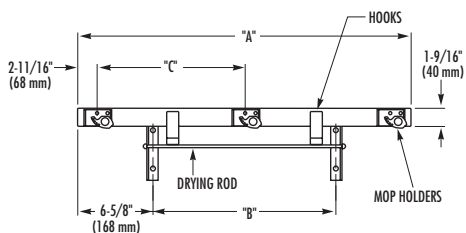
4 hooks and 5 holders

Unit 42" (1067 mm) L

## 9986

5 hooks and 6 holders

Unit 48" (1219 mm)



Hygiene, durability and safety are featured in Bradley's hospital/patient care line. Fabricated of stainless steel for continuous, trouble-free use.



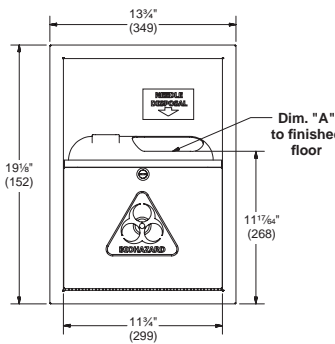
**NEW 989**

Recessed needle disposal fabricated of stainless steel with exposed surfaces in satin finish. Door secured by piano hinge. Removable needle disposal with tumbler lock. Needle disposal not included.

Rough wall opening: 12" W x 17.375" H x 5" D (305 x 441 x 127 mm)

**NEW 989-11**

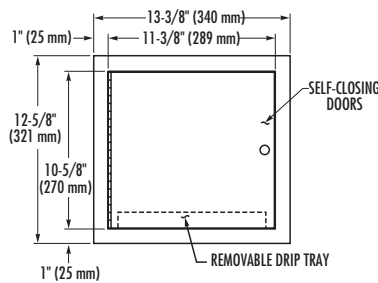
Surface-mounted.



**9813**

Specimen pass-thru cabinet. Self-closing doors with stainless steel piano hinges and Chrome-plated brass knobs. Interlock mechanism prevents both doors from being open at the same time. Equipped with seam-soldered spill tray.

Rough wall opening: 11.625" W x 10.875" H (295 x 276 mm). Flanges adjust from 3.5" (89 mm) to 5.5" (140 mm) wall thickness.



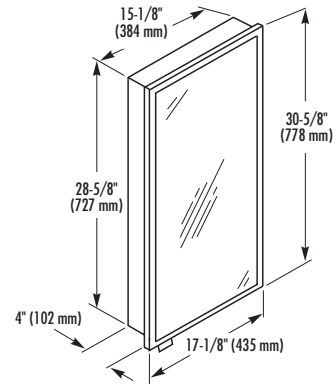
**BX 175**



Recess-mounted, stainless steel medicine cabinet. 0.25" (6 mm) thick mirrored door 17.125" W x 30.625" H (435 x 778 mm) and spring-buffered rodstop. Cabinet may be field inverted for left hand door swing. Three adjustable stainless steel shelves.

- 10 Semi-recessed
- 11 Surface-mounted

Rough wall opening: 15.625" W x 29.125" H x 4" D (397 x 740 x 102 mm)



**9905**

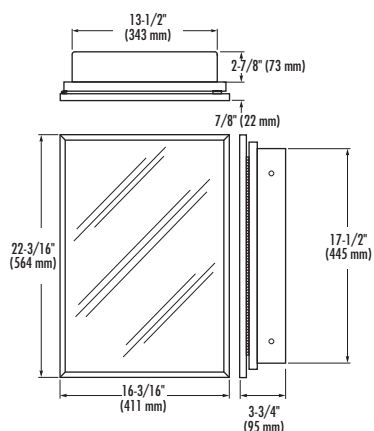
Surface-mounted bedpan and urinal storage unit. Fabricated of stainless steel with exposed surfaces in satin finish. **Note:** Bedpan and urinal not included.

Unit measures 12" W x 24" H (305 x 610 mm). Projects 5.25" (133 mm) from wall

**9661**

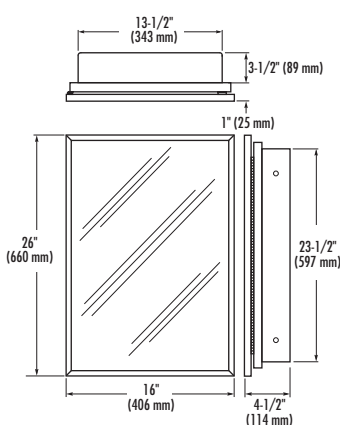
Recess-mounted medicine cabinet. Cabinet is fabricated of sturdy one-piece, white injection-molded polystyrene. Door is steel with baked-enamel finish. Door has full piano hinge and magnetic catch. Mirror frame of stainless steel. Two adjustable polystyrene shelves. Reversible to swing either left or right.

Rough wall opening: 14" W x 18" H x 3" D  
(356 x 457 x 76 mm)

**BX 9663**

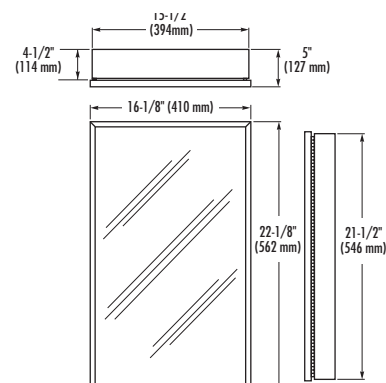
Recess-mounted medicine cabinet. Seamless cabinet fabricated of one-piece, heavy drawn steel with baked-enamel finish. Mirror frame of stainless steel. Mirror of first-quality float glass, electro-copper-plated backed. Three adjustable prepainted metal shelves. Reversible for left or right hand swing.

Rough wall opening: 14" W x 24" H x 3.625" D  
(356 x 610 x 92 mm)

**BX 9664**

Surface-mounted medicine cabinet. Fabricated of heavy-gauge steel with baked-enamel finish. Mirror frame of stainless steel. Mirror of first-quality float glass, electro-copper-plated backed. Two removable metal shelves. Reversible for left or right hand swing.

Unit measures 16.25" W x 22.25" H x 5" D  
(413 x 565 x 127 mm)



## HIGHRISE, FLOAT, & LOFT SERIES (PHENOLIC LT)



### NEW! HIGHRISE

---

New Highrise Euro Style floor-to-ceiling series creates a private and striking design. The ceiling high construction of the partition wall is not only a design element but also part of the room design. Doors, sides and dividing walls reach from the floor to the ceiling creating a private space for users. The Phenolic LT material is lighter weight for easy installation.



### FLOAT

---

Float Series partitions have a modern minimalist design with the feet and headrail hidden from sight, it creates the impression that these partitions are actually floating on air, while still securely anchored to the floor and walls. The Float series partitions are robust, durable and beautiful, with a frameless construction and no visible hardware.



### LOFT

---

Loft partitions are designed to be easy to install, clean and maintain. Their dependable slow-close no-pinch hinges stand out as a thoughtful safety element, especially for young users. Constructed to show a completely smooth clean front view, Loft partitions give a sleek new level of sophistication to any restroom design.

## SKYLINE & LUCENT SERIES (GLASS)



### NEW! SKYLINE

Bradley's new Skyline Euro Style Floor-to-Ceiling Partitions are made from tempered glass which brings both light and lightness to the restroom creating an open, airy and elegant atmosphere. Fully enclosed and precision engineered to the room's exact measurements, these privacy enclosures provide beauty and comfort. Its signature look features an impressive, floating glass front, enclosed all the way to the ceiling and without any visible profiles or hardware.



### LUCENT

Flawless, refined and elegant, the Lucent Series provides an unparalleled choice for high-end commercial washrooms. Reliable, quiet, self-closing hydraulic hinges provide worry-free operation. Flush surface construction guarantees no gap privacy and is moisture resistant even in wet environments. Low iron glass showcases our standard color range.

## BRADLEY PARTITION SERIES



### 400 SERIES SENTINEL™ OVERHEAD BRACED

Overhead braced partitions provide the most economical solution for heavy-traffic and vandalism-prone areas. Because it requires no special floor or ceiling construction, installation is easy in new or old buildings. The anti-grip head rail provides outstanding rigidity.



### 500 SERIES FLOOR BRACED

This style complements design with functional performance. Recommended for buildings with high ceilings, it enhances the effect of spaciousness. A minimum of 3" (76 mm) concrete construction is required for anchoring. This style is not available in Bradmar solid plastic.



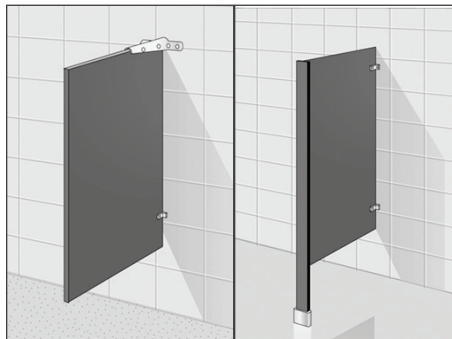
### 600 SERIES CEILING HUNG

Ideal for areas with low ceilings. Offering an area free from obstruction to allow for fast and easy maintenance, this system requires proper structural supports in the ceiling for maximum rigidity. Not recommended for ceiling heights over 8' (2.4M). This style is not available in Bradmar solid plastic.



### 700 SERIES FLOOR-TO-CEILING

Perfect for areas where additional support is required. Anchored at the floor and ceiling, this style offers the most stability.



### URINAL SCREENS

Wall-hung style provides economy and ease of maintenance while floor supported or floor-to-ceiling (not shown) screens offer extra stability for high-traffic areas.



### SHOWER DIVIDERS

Available in Bradmar solid plastic, an advanced formula of high-density polyethylene (HDPE). Standard sized or customized to meet your facility layout, Bradmar shower dividers are available in multiple colors, including speckled and solid colors (see [bradleycorp.com](http://bradleycorp.com) for complete list of colors). All Bradmar solid plastic products are covered by a 15-year warranty.



## BRADLEY PARTITION MATERIALS



### PHENOLIC

Highly durable compact laminate. Almost any Formica or Wilsonart color/pattern can be selected. No-site design is standard, eliminating gaps between doors and pilasters. Edges are solid black. Recommended for humid and wet areas. Resists water, oil and bacteria. Withstands hose-down cleaning. Suited for outdoor parks, pools, shower rooms. 3-year warranty against delamination and discoloration. Hardware: Heavy-duty, cast stainless steel, stamped stainless steel door hinges. Extended heights available.



### STAINLESS STEEL

High design and contemporary style. Soft brushed satin finish or 5WL texture available. Textured patterns wrap around edges. Recommended for airports, stadiums, rest stops. 15-year warranty against rust-out. Hardware: Heavy-duty, chromed Zamac. Extended heights available.

**Introducing Bradley’s new Phenolic Lockers — the perfect blend of style, sophistication, and durability.**

These attractive lockers will enhance any locker room space while providing the benefits of solid core phenolic of standing up to wet environments, heavy use and tough conditions.

Customize your space with a variety of standard lockers, z lockers, cubby lockers, and pedestal benches in a wide range of sizes, tiers, colors, and options for locks, wall/coat hooks, and coat rods.



**OPTIONS INCLUDE**

- |                            |               |              |
|----------------------------|---------------|--------------|
| Hasp Locks                 | Custom Logos  | Vented Doors |
| Built-in Key Locks         | Number Plates | Flat Tops    |
| Built-in Combination Locks | Coat Rods     | Slope Tops   |
| Digital Combination Locks  | Bases         |              |



**STANDARD LOCKER**

Available in a wide range of sizes, tiers, colors, and customizable options, these lockers offer versatility to suit any space.



**Z-LOCKER**

Multi height phenolic z lockers provide additional vertical hanging space for longer garments keeping them wrinkle-free — perfect for fitness and health center applications. Available in a wide range of sizes, colors, and customizable options.



**CUBBY LOCKER**

Reduce clutter with this helpful storage solution. Phenolic Cubby lockers provide an elegant unlocked storage for any application. Available in a wide range of sizes, tiers, colors, and customizable options.



**PEDESTAL BENCH**

Pedestal bench is designed for style and resilience. With a solid black phenolic core, they resist moisture and corrosion. Available in different sizes and colors.

**Design flexibility is a prime feature of Lenox® Lockers, offering countless options and configurations. Installation is simple. Lockers are shipped fully assembled and ready for attachment to the wall and each other.** Solid plastic lockers are formed of polymer resin with homogeneous color. Doors and frames are 1/2" (13 mm) thick, and sides, shelves, tops and bottoms are 3/8" (10 mm) thick. Locker box is one piece, all welded construction, providing outstanding rigidity and strength. Continuous latch bar runs the entire length of the door, providing a secure closure. Handle mechanism is capable of accepting a padlock and is securely fastened to the door. Stainless steel piano hinge is continuous and integrates into the full length of the door and main locker body. 20-year warranty against rust, delamination or breakage of any of the plastic components under normal use.



### OPTIONS INCLUDE

- |                |                    |                              |
|----------------|--------------------|------------------------------|
| Fillers        | Number Plates      | Built-in Combination Locks   |
| Coat Rods      | Plastic Coat Hooks | Built-in Key Locks           |
| Bases          | Slope Tops         | Coin-Operated Locks          |
| Wall Hooks     | Flat Tops          | Combination Locks            |
| Mesh Doors     | End Panels         | Padlocks                     |
| Engraved Logos |                    | Mechanical Combination Locks |



### Z-LOCKER

Z-Locker design provides practical multi-tiered storage without wasting valuable floor space or compromising customer satisfaction. Double your locker availability while still providing clients with hanging space to keep garments wrinkle free.



### CUBBY LOCKER

The easy-access cubby locker is perfect for items that do not require locked storage. The durable cubby is shipped fully assembled and can reduce installation costs by up to 50 percent. 3 cubby lockers shown.



### LOCKER BENCH

The 1" (25 mm) thick bench top is seamless and oversized. The 20" H x 12" W (508 x 305 mm) locker underneath provides valuable additional storage space. Available in 36" (914 mm) through 72" (1828 mm) lengths.



### PEDESTAL BENCH

The bench top is 1.5" (38 mm) thick and available in 36" (914 mm) to 96" (2438 mm) in one-foot increments. Pedestals are black anodized aluminum. ADA-compliant height is 18.5" (470 mm). 9.5" 12," 18" and 24" (241 mm, 305 mm, 457 mm and 610 mm) widths available.



### CUBBY BENCH

Convenient seating and easy-access storage in one. Space-saving solution. Shipped fully assembled.



---

## MIRRORS

Bradley mirrors are fabricated from heavy-gauge stainless steel frames and plate glass or an alternative reflective surface. The frame can be cared for by following the general stainless steel maintenance instructions above. Reflective surfaces can be cleaned with any standard non-abrasive glass cleaner and a soft cloth. Care must be taken to avoid allowing the cleaner to run down the surface of the mirror and collect in the frame. If allowed to continue, this could lead to premature silver spoilage and spotting on stainless steel.



---

## ELECTROCOAT FINISH

Polyurethane electrocoat lacquer on stainless steel accessories provides excellent resistance to tarnishing and staining from airborne contaminants. The baked-on lacquer increases mechanical properties and provides an outstanding combination of UV, solvent, chemical, and wear resistance at thin film builds. Our tinted polyurethane finishes are designed to offer cosmetic and durability enhancement.

Stains and fingerprints on the baked-on polyurethane lacquer coating can be easily cleaned with a dry cotton cloth. Soap and water may be added for cleaning and disinfecting. Whenever practical, wipe with the grain of the metal. If cleaners are used, thoroughly rinse with clear water. Depending on rinse water quality, a drying may be needed to avoid water spots.

Avoid scouring pads and abrasive cleansers.



---

## STAINLESS STEEL

Stainless Steel is a low-carbon steel that contains chromium. The addition of chromium gives the steel its unique corrosion-resisting properties. It is extremely durable, resists corrosion and stands up to many chemicals.

Despite the fact that stainless steel surfaces are generally non-tarnishing, they are not stain or rust proof. Stainless steel must be kept clean and free from contaminants. Frequent cleaning with mild soap and water or glass cleaner and a cotton cloth is required. Any discoloration or corrosion (commonly caused by contact with harsh cleaner, muriatic acid or bleach solutions) should be removed as soon as possible or permanent discoloration and pitting of the surface could occur. Most discoloration can be removed with a mild cleanser or stainless steel cleaner and a Scotchbrite® pad. The surface should then be thoroughly rinsed with clear water. With proper maintenance, stainless steel will maintain its luster and appearance indefinitely.



## SOAP DISPENSERS

---

Bradley soap dispensers provide dependable, consistent operation over the long term when the proper soap is used and when a minimal amount of periodic maintenance is performed on the valves. Soaps satisfying these basic guidelines will provide consistent flow and reduce clogs.

Soap thickness is determined by a measurement called viscosity. Soap viscosity should be between 100 cps (centerpoise) and 2500 cps for all Bradley soap dispensers. The pH (acid) level of soaps that will perform consistently should be in the range of 6.5 to 8.5. More acidic soaps (pH levels lower than 6.5) will corrode metal parts (even stainless steel) and degrade rubber and plastic components. Most inexpensive soaps (typically the pink lotion type) fall into this acidic category and will eventually cause valve failure and metal corrosion. PCMX or Isopropanol-based antibacterial soaps (within viscosity and pH limits) will also work with Bradley dispensers.

Valves must also be maintained (cleaned) to function properly. At the very minimum, hot water should be pumped through valves periodically to clear out soap residue. Ideally valves should occasionally be soaked for 30 minutes in hot water or a soap valve cleaning solution. With proper maintenance and soap, Bradley dispensers will provide long-term, trouble-free operation.

2A05	30	6B1-119373T	39	523*	52	963	66
2A10-11	25	7B1-00	44	583	60	964	66
2A25-36	30	7B1-10	44	584	60	987	77
3A05	19	7B1-20	44	591	57	987-11	78
3A15-11	19	7B1-30	44	644	41	987-36	78
4A00	62	7B1-50	44	648	42	989	84
4A10-11	62	7B1-70	44	655	43	989-11	84
4A20	65	7B2-005	48	657	43	1981	16
5A00	50	7B2-008	48	658-30	43	2017	30
5A10	51	8B1	9	740	46	2027	31
5A40-11	60	9B1-110000	78	747	47	2037	31
6A01-11	40	9B1-110200	78	748	47	2252	31
6A02-11	40	6-3100	35	755	48	2291	32
6A03-11	40	6-3300	35	756	48	2297	32
2B1-110000	24	6-3500	35	758	48	2441	25
2B1-113400	24	6-3700	35	760	49	2482-11	25
2B1-113600	24	6-SOAP-MFT	36	780	45	2483	26
2B4-110000	13	155	16	781	45	2494	26
2B4-110049	13	175	84	782	46	2495	26
2B5-110000	29	234	32	790	49	2496	27
2B5-113400	29	235	33	812	9	2497	27
2B5-113600	29	236	33	832	9	2901-2873	14
3B1-000000	17	237	33	852	9	2901-2874	14
3B1-003400	17	238	34	900	77	2902-280000	14
3B1-003600	17	250-15	27	901	77	2902-287300	14
3B1-100000	17	251-15	28	901-60	77	2902-287400	14
3B1-103400	17	252	28	907	75	2903-280000	14
3B1-103600	17	259	28	908	75	2904-280000	14
3B1-110000	18	334	20	911	79	2905-287300	15
3B1-113400	18	344	21	912	80	2921-S0000H	13
3B1-113600	18	346	21	914	80	2922-2873	15
4B2-000000	61	355	21	915	80	2922-2874	15
4B2-110000	61	356	22	917	78	2923-28S001	13
5B1-003600	59	357	22	921	77	2923-28W001	13
5B1-110000	59	369-11	19	921-60	77	2923-287401	13
5B1-113600	59	377	23	924	75	3251	20
5B2-000000	50	377-36	23	926	75	3257	20
5B2-110000	50	377-37	23	927	76	3565	22
6B1-000000	39	377-38	23	931	79	4017	65
6B1-000073	39	377-3637	23	932	79	4721-15	63
6B1-110000	39	377-3738	23	934	80	4722-15	63
6B1-110000T	39	401	65	947	81	4722-1015	63
6B1-110073	39	407	65	953	70	4731-15	64
6B1-110073T	39	505	51	957	68	4737	64
6B1-119300	39	508*	52	958	68	4781-11	61
6B1-119300T	39	508-32*	52	962	66	4791-11	62
6B1-119373	39	522	51	962-11	66	5054	51

5071	52	6562	42	9538	70	SA16	73
5084*	53	6562-73	42	9539	70	SA31	71
5085*	53	6563	40	9540	69	SA35	71
5102*	55	6583	43	9562	67	SA36	71
5104*	55	6843	38	9569	67	SA37	71
5106*	53	7510	49	9571	68	SA39	72
5107*	53	7512	49	9591	67	SA41	72
5123*	55	7805	45	9593	68	SA70	72
5124*	56	7815	46	9594	68	URINAL SCREENS & SHOWER DIVIDERS	88
5126*	53	8320-106360	9	9631	66		
5127	56	8320-106420	9	9632	66		
5224	51	8370-107	10	9633	66		
5234*	53	8370-108	10	9661	85		
5235*	53	9014	77	9663	85		
5241	52	9015	77	9664	85		
5262	53	9044	75	9813	84		
5263	53	9054	75	9905	84		
5402	55	9055	75	9933	82		
5412	56	9065	76	9934	82		
5422	56	9066	76	9943	82		
5424	54	9094	76	9944	82		
5425	54	9104	76	9945	82		
5426-11	54	9104-90	76	9946	82		
5831	60	9105	76	9953	82		
5847	60	9105-90	76	9954	82		
5911	57	9114	78	9955	82		
5912	57	9115	78	9983	83		
5922	58	9118	79	9984	83		
5942	58	9119	79	9985	83		
5961	58	9124	78	9986	83		
5962	58	9125	78	AC ADAPTOR	37		
6315	37	9134	80	BRADLEY PARTITIONS	88		
6315-KT0000	37	9135	80	EURO STYLE PARTITIONS	86		
6322	37	9301	76	LENOX LOCKERS	91		
6322-68	37	9311	79	MAINTENANCE	92		
6324	37	9314	79	P10-636	16		
6324-68	37	9315	79	P10-696	23		
6326	38	9334	80	P15-025	23		
6326-68	38	9335	80	P15-098	23		
6334	38	9401	77	P15-195	23		
6437	41	9403	77	PHENOLIC LOCKERS	90		
6437-37	41	9530-60	69	SA01	73		
6481	42	9530-72	69	SA03	73		
6531	41	9531	70	SA05	73		
6542	42	9533	69	SA11	74		
6542-73	42	9536	69	SA12	74		
6543	40	9537	69	SA13	74		



A WATTS Brand

**Commercial Washrooms. Brought to Life.**  
HANDWASHING & DRYING | ACCESSORIES | PARTITIONS | LOCKERS

[bradleycorp.com](http://bradleycorp.com)  
800 BRADLEY +1 262 251 6000  
W142 N9101 Fountain Boulevard  
Menomonee Falls, WI USA 53051

3767-2-0125