

Service Parts Guide

Verge™ Faucet - Crestt Series (S53-3100)

Verge™ Faucet - Metro Series (S53-3300)

Verge™ Faucet - Linea Series (S53-3500)

Verge™ Faucet - Zen Series (S53-3700)

Table of Contents

Safety Information	2
Complete Spout Replacement Kits	3
Spout Kit Diagram	4
Trim Plate Kit	5
Sensor Replacement Kit	6
Aerator Kits	6
Lock Nut Kit	6
Tempered Line Valve Kits	7
Thermostatic Mixing Valve (TMA) Valve Kits	8



Read the instructions in this manual before beginning installation. Save these instructions and refer to them for inspection, maintenance, and troubleshooting information.

For questions regarding the operation, installation or maintenance of this product, visit bradleycorp.com or call 800.BRADLEY (800.272.3539).

Product warranties and parts information may also be found under “Resources” on our website at bradleycorp.com.



Safety Information

Warning

Make sure that all water supply lines have been flushed and then completely turned off before beginning installation. Debris in supply lines can cause valves to malfunction.

Caution

A DC plug-in adapter (supplied by Bradley) should be used in conjunction with the Bradley Supplied Faucets. The DC plug-in adapter supplied by Bradley is 6V DC regulated. Direct connection to 120V/220V 50/60Hz could result in personal injury and will damage the sensor.

Important

Separate parts from packaging and make sure all parts are accounted for before discarding packaging material. If any parts are missing, do not begin installation until you obtain the missing parts.

When the faucet is mounted on a fixture with a stainless steel bowl, it is recommended that the bowl have a satin finish rather than a mirrored or highly polished finish.

Complete Spout Replacement Kits

See Page 4 for diagram and components of kits.



Crestt



Linea



Metro



Zen

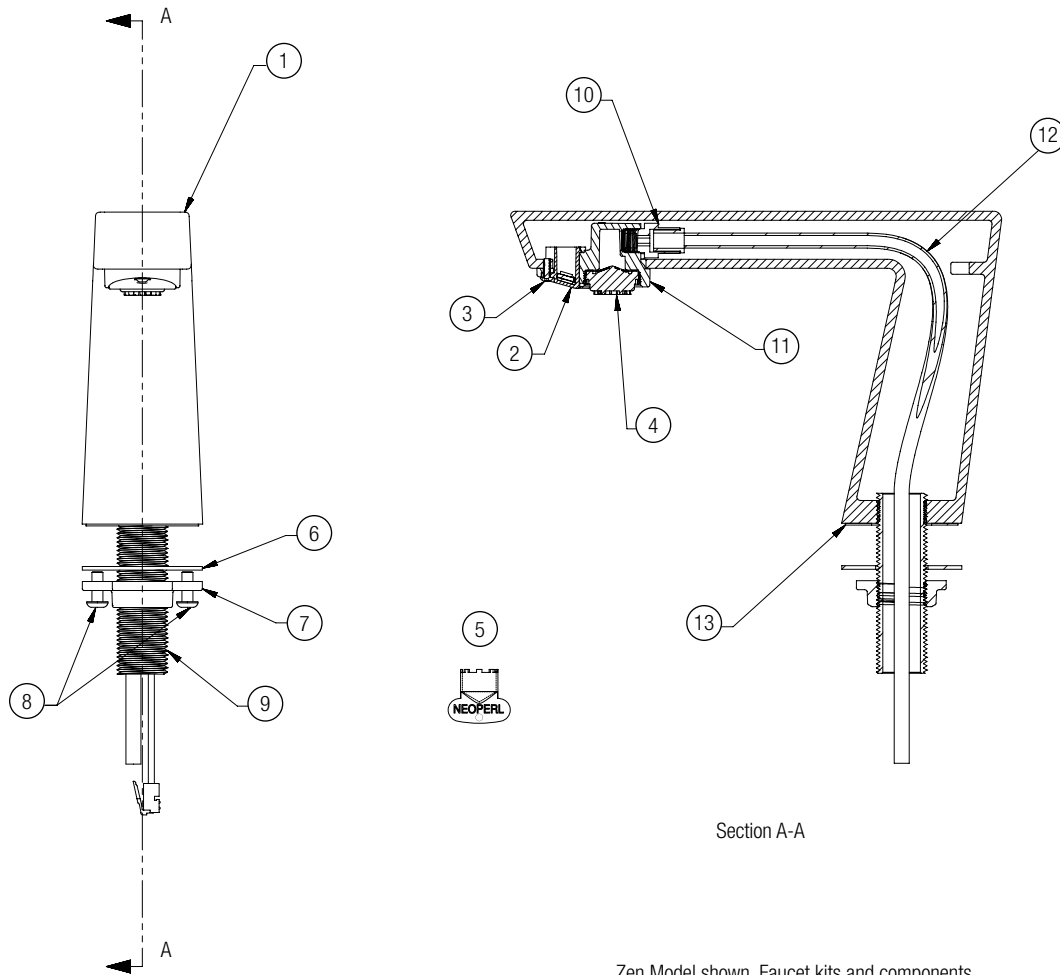
Spout Replacement Kits with .35 GPM Aerators							
CRESTT	S45-3100-R3-BB	METRO	S45-3300-R3-BB	LINEA	S45-3500-R3-BB	ZEN	S45-3700-R3-BB
	S45-3100-R3-BN		S45-3300-R3-BN		S45-3500-R3-BN		S45-3700-R3-BN
	S45-3100-R3-BR		S45-3300-R3-BR		S45-3500-R3-BR		S45-3700-R3-BR
	S45-3100-R3-BS		S45-3300-R3-BS		S45-3500-R3-BS		S45-3700-R3-BS
	S45-3100-R3-BZ		S45-3300-R3-BZ		S45-3500-R3-BZ		S45-3700-R3-BZ
	S45-3100-R3-PC		S45-3300-R3-PC		S45-3500-R3-PC		S45-3700-R3-PC

Spout Replacement Kits with .5 GPM Aerators							
CRESTT	S45-3100-R5-BB	METRO	S45-3300-R5-BB	LINEA	S45-3500-R5-BB	ZEN	S45-3700-R5-BB
	S45-3100-R5-BN		S45-3300-R5-BN		S45-3500-R5-BN		S45-3700-R5-BN
	S45-3100-R5-BR		S45-3300-R5-BR		S45-3500-R5-BR		S45-3700-R5-BR
	S45-3100-R5-BS		S45-3300-R5-BS		S45-3500-R5-BS		S45-3700-R5-BS
	S45-3100-R5-BZ		S45-3300-R5-BZ		S45-3500-R5-BZ		S45-3700-R5-BZ
	S45-3100-R5-PC		S45-3300-R5-PC		S45-3500-R5-PC		S45-3700-R5-PC

Finish Type

PC		Polished Chrome
BB		Brushed Black Stainless
BS		Brushed Stainless
BZ		Brushed Bronze
BR		Brushed Brass
BN		Brushed Nickel

Spout Kit Diagram



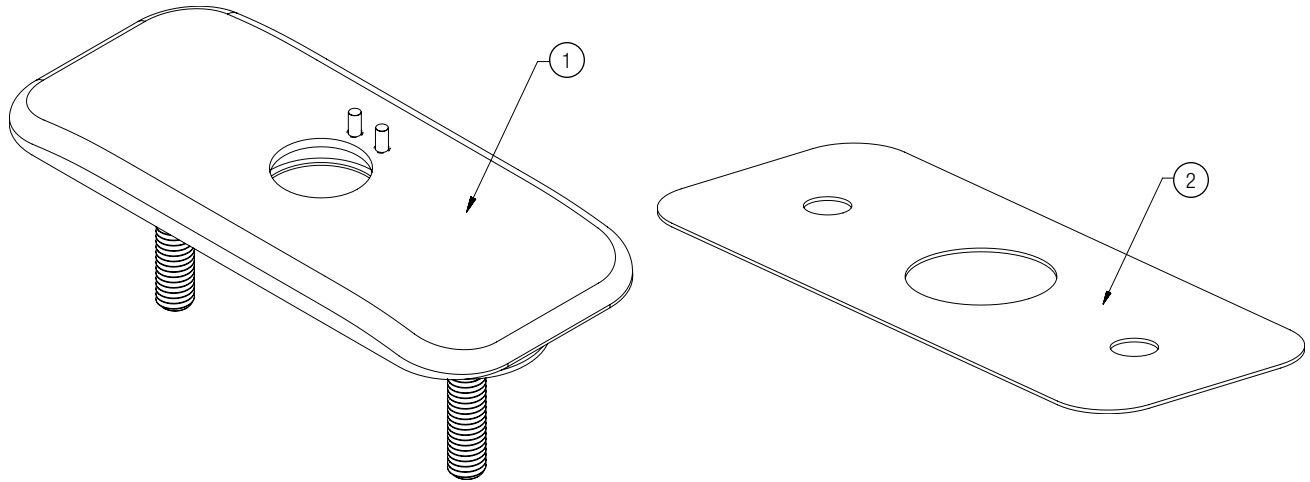
Zen Model shown. Faucet kits and components also for Linea, Metro & Crestt Models.

Parts List

Item	Description
1	Body, Faucet
2	Sensor Assembly, Adaptive
3	#4-40 UNF Screw
4	Aerator
5	Red Service Key - Neoperl
6	Washer .875X2.000X.063
7	Nut, Clamp, Faucet Shank

Item	Description
8	#10-32 UNF Screw
9	Shank, Faucet, 1/2-14 NPSM TH
10	Connector Male 1/4OD X 1/8 NPT
11	Pod, Body, Aerator
12	Tubing, .250 O.D. X .170 I.D.
13	Gasket, Faucet

Trim Plate Kit



Parts List

Item	Part No.	Description
1	S39-869-PC	Trim Plate Replacement Kits
	S39-869-BB	
	S39-869-BS	
2	124-117	Trim Plate Gasket

Finish Type

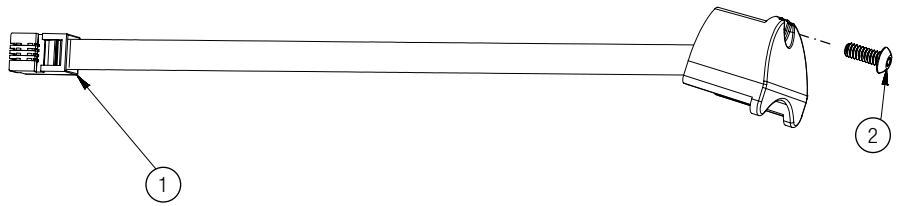
PC		Polished Chrome
BB		Brushed Black Stainless
BS		Brushed Stainless

Sensor Replacement Kit

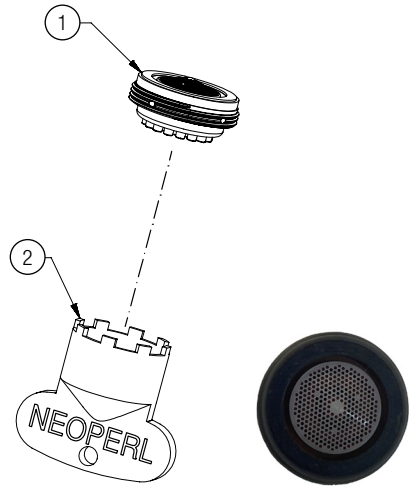
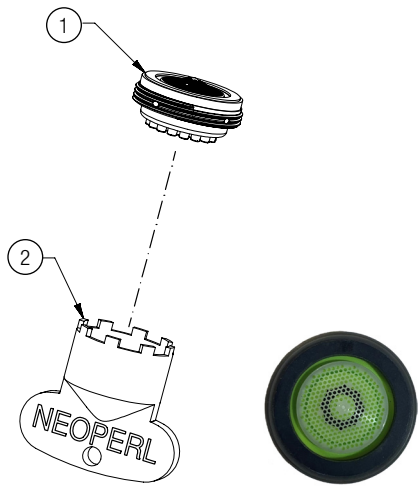
S65-513 Parts List

Item	Description
1	Sensor Assembly, Adaptive
2	#4-40 UNF Screw

Label should be yellow, if it is not please contact Bradley.



Aerator Kits



S05-175 Parts List

Item	Description
1	Aerator - .5 GPM (Green)
2	Red Service Key - Neoperl

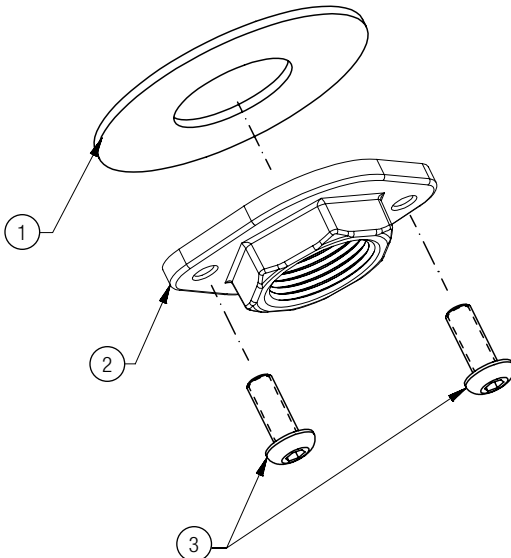
S05-215 Parts List

Item	Description
1	Aerator - .35 GPM (Brown)
2	Red Service Key - Neoperl

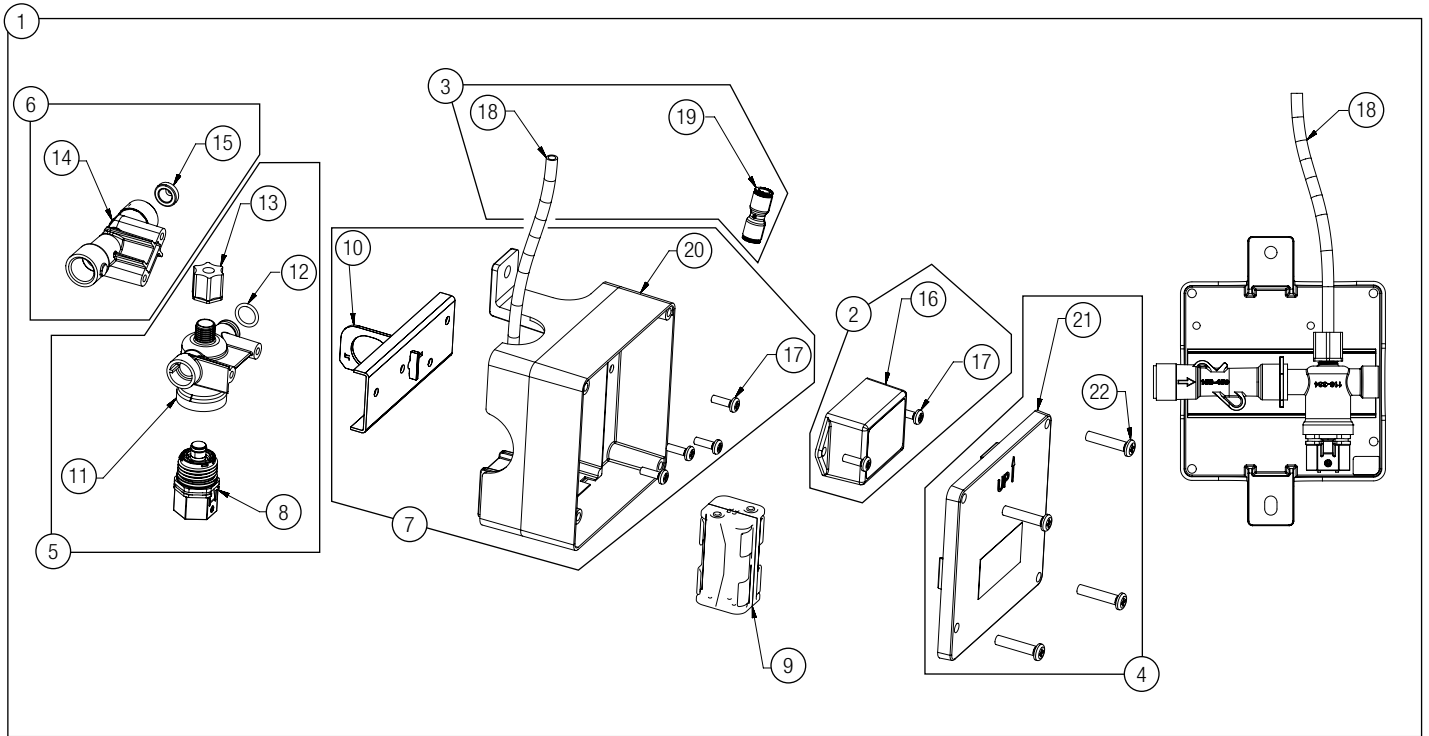
Lock Nut Kit

S45-3015 Parts List

Ref.	Description
1	Washer .875 X 2.000 X .063
2	Nut, Clamp, Faucet Shank
3	#10-32 UNF Screw



Tempered Line Valve Kits

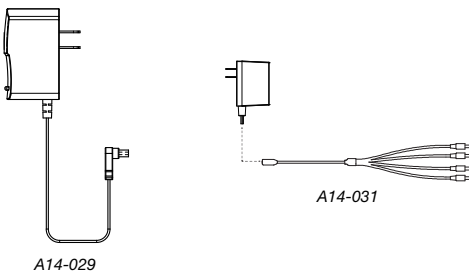


Parts List

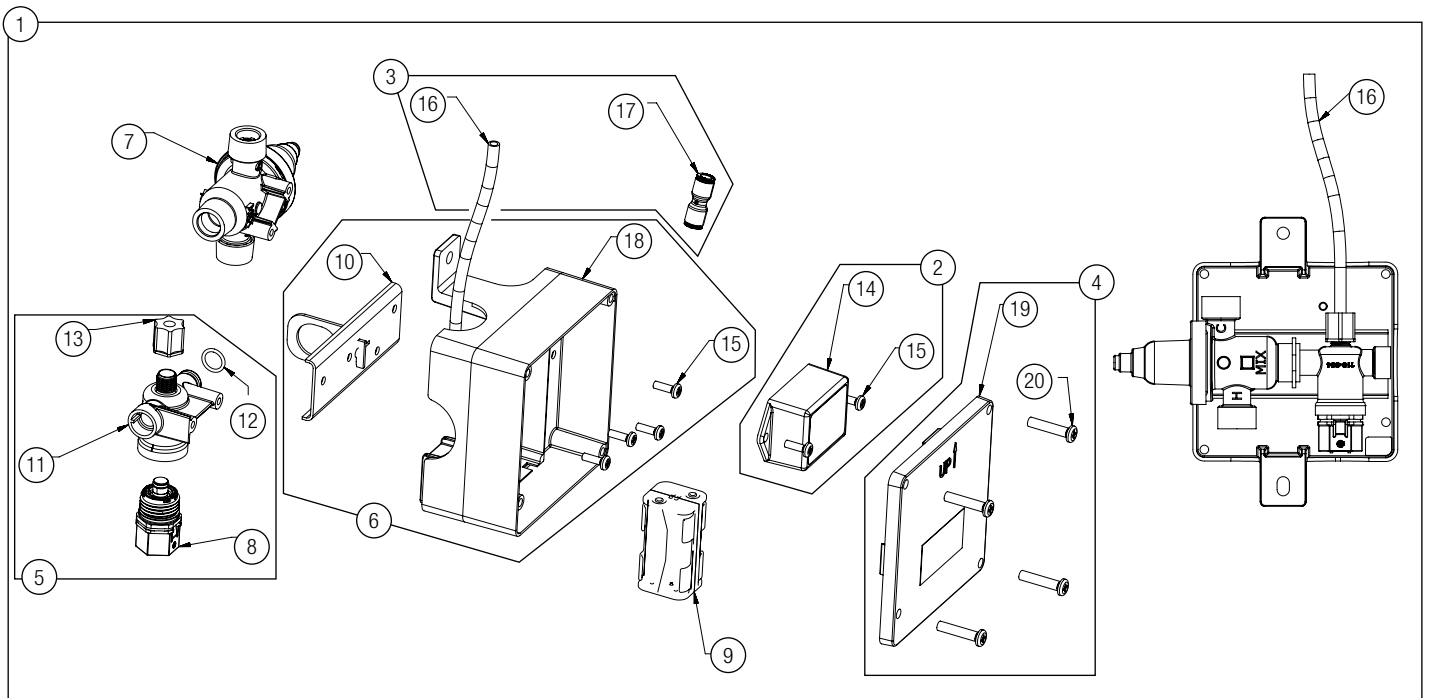
Item	Part No.	Description
1	S45-3000-TL	Controls Assembly, Temperate Kit
2	S65-517	Timer Kit
3	S65-518	Water Supply Kit
4	S65-516	Faucet Cover Kit
5	S07-098	Single Valve - 6V Solenoid Kit
6	S39-804	Lead Free Adaptor Kit
7	S65-515	Faucet Control Box Kit
8	S27-352A	Cartridge-Auk 6VDC BI Stable
9	261-198	Holder Assembly, Battery

Item	Description
10	Support Assembly-Temperate
11	Valve Body-End-Auk
12	O-Ring (-013) .426ID X .070W
13	Compression Nut, 1/4" Tube
14	Tempered Line Adaptor
15	Strainer
16	Touchtime Module Assembly
17	Screw #8-16X1/2 PN
18	Tubing, .250 O.D. X .170 I.D.
19	Union Connector 1/4 OD
20	Body, Controls, Faucet
21	Cover, Controls, Faucet
22	Screw #8-16X1 PN

A/C power adaptors A14-029 (Single Plug) and A14-031 (Multiple Plugs) are also available for purchase. Please consult Bradley to make sure you get the right one for your application.



Thermostatic Mixing Valve (TMA) Valve Kits



Parts List

Item	Part No.	Description
1	S45-3000-TMA	Controls Assembly, TMA Kit
2	S65-517	Timer Kit
3	S65-518	Water Supply Kit
4	S65-516	Faucet Cover Kit
5	S07-098	Single Valve - 6V Solenoid Kit
6	S65-519	Faucet Control Box Kit
7	S01-526	Lead Free Valve Assembly
8	S27-352A	Cartridge-Auk 6VDC BI Stable
9	261-198	Holder Assembly, Battery

Item	Description
10	Support Assembly-TMA
11	Valve Body-End-Auk
12	O-Ring (-013) .426ID X .070W
13	Compression Nut, 1/4" Tube
14	Touchtime Module Assembly
15	Screw #8-16X1/2 PN
16	Tubing, .250 O.D. X .170 I.D.
17	Union Connector 1/4 OD
18	Body, Controls, Faucet
19	Cover, Controls, Faucet
20	Screw #8-16X1 PN

A/C power adapters A14-029 (Single Plug) and A14-031 (Multiple Plugs) are also available for purchase. Please consult Bradley to make sure you get the right one for your application.

