



A WATTS Brand

LENOXZLOCKER

Lenox "Z" Locker - Solid Plastic

- Tough, attractive, solid plastic never needs painting; resists dents and scratches
- Impervious to moisture — lockers will not rust or delaminate
- Made from 30% pre-consumer recycled HDPE plastic
- Durable, vandal resistant all-welded construction
- Wide range of sizes, colors and options
- ADA compliant handle operation
- 20-year warranty against rust, delamination or breakage under normal use*
- Lockers ship assembled; optional top, end panel and base assembled at the job site
- US Patent Numbers: 6,685,285 – 6,792,661 – 6,793,299 – 7,029,078 – 7,223,317 – 7,278,695 – 7,510,249 – 7,699,412 – 7,789,471 – 8,113,602
- Other Patents Pending

Construction - Standard Features

Sizes

Standard Sizes:	15", 18"	Wide
	12", 15", 18", 21", 24"	Deep
	60", 72"	Tall
	Z-Tiers	

Doors and Frames

Constructed of ½" thick High Density Polyethylene (HDPE) with homogeneous color and a matte finish texture. Dirt or graffiti are easily removed with standard industrial cleaners. Frames are welded to locker box to provide a secure, rigid assembly. Doors have ventilation slots.

Sides, Tops, Bottoms, Dividers and Shelves

Constructed of ⅜" thick white HDPE with a smooth finish. Sides and back of box are formed from a single sheet of HDPE with fused corners. Top and bottom are welded to frame without metal fasteners or dovetail joints. "Z" shelves are slid into corresponding grooves in sides and back. Gussets provide added support for the box.

Latch Bar

Full length latch bar is constructed of ½" thick 100% pre-consumer recycled black High Density Polyethylene (HDPE) with a smooth finish. Runs entire length of door, providing a continuous security latching system. Latch lifts up to open and returns to closed position after door is closed. Latch bar is secured to locker door with stainless steel security torx-head shoulder screws.

Hinge

Heavy-duty, full-length piano hinge is constructed of 18 gauge, type 304 stainless steel. Hinge wraps around edges of the door and the frame and is secured with stainless steel security torx-head screws. Hinge is powder coated to match locker color† and is field replaceable.

Handle

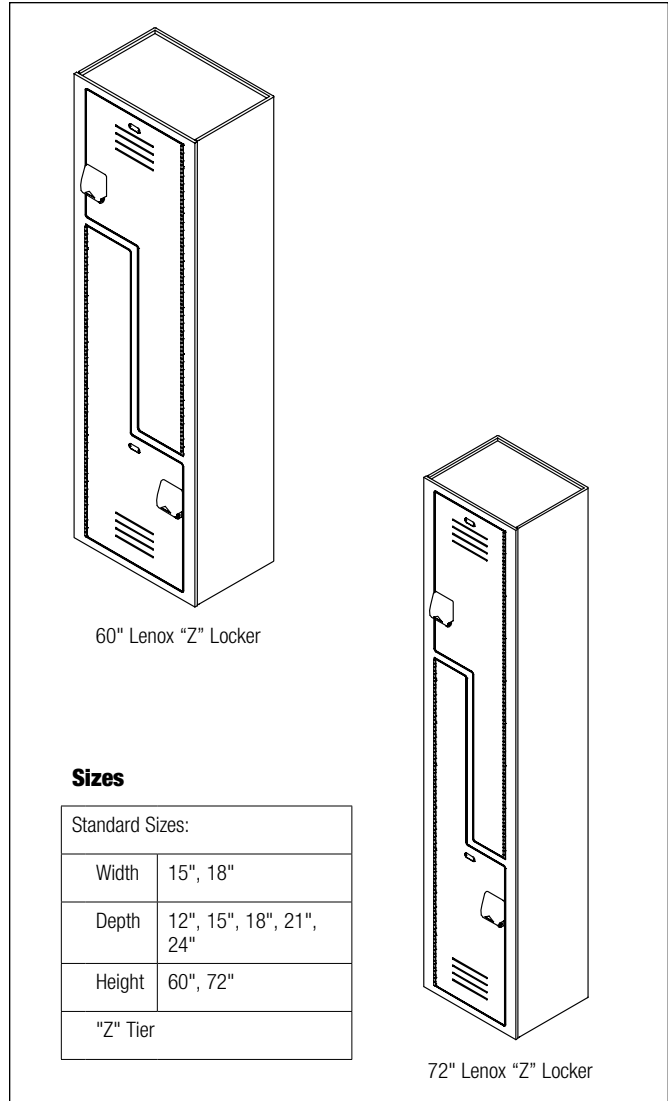
Constructed of injection molded plastic. Ergonomically designed handle is ADA compliant — operates with less than 5 lbs. of force. Handle is secured through latch bar to door with stainless steel security torx-head screws.

* Normal use further defined as lockers installed in a climate-controlled environment, away from direct sunlight.

† Dove Stone locker will have white hinge and handle. Starry Night locker will have black hinge and handle.

Hasp

Constructed of 12 gauge stainless steel. Accepts standard padlocks with ⅝" diameter (nominal). (Long shackle padlocks should not be used.) Secured to door behind latch bar with stainless steel screws.



Coat Hook

Double hook constructed of black polycarbonate. Hook hangs centered over long side of locker. Secured with stainless steel screws.

Product Compliance



- Wood bases are not recommended.

© 2024 Bradley

P.O. Box 309, Menomonee Falls, WI 53052-0309
 800 BRADLEY (800 272 3539) +1 262 251 6000
 bradleycorp.com



A WATTS Brand

LENOXZLOCKER

Lenox “Z” Locker - Solid Plastic

Construction - Optional Features

Slope Top – Model LENOXSLOPETOP

Constructed of a 1" thick HDPE backplate (color may vary) and a ½" thick colored HDPE slope top panel. Provides a finished look and prevents accumulation of dust and storage of items on top of lockers. Back plate secures to wall first, then panel is secured through the locker top from the inside — no exposed fasteners. Standard slope is 10°. Available in single locker size or in 24", 30", 36", 45" and 72" lengths. All necessary hardware included.

Flat Top – Model LENOXFLATTOP

Constructed of ½" thick HDPE with homogeneous color and a matte finish texture. Provides a finished look on top of lockers. Available in single locker size or in 24", 30", 36", 45", 54" and 72" lengths. Hardware not included.

Base – Model LENOXBASE

Constructed of 1" thick HDPE with homogeneous color and a matte finish texture. Base is 3" or 4" tall and set back 3" from locker front to provide toe clearance. Notched end caps provide ease of installation. Installation hardware, including screws, anchors, L-brackets and mending plates are included.

Number Plates

Constructed of white acrylic with black film coating. Laser etched with number specified. Number plates are secured with grooved rivets into a recessed pocket cut into the door. Plates must be fastened to lockers on the job by installer.

End Panels – Model LENOXENDPANEL

Constructed of ¾" thick HDPE with homogeneous color and a matte finish texture. End panels cover white locker sides on exposed ends and are available in flat or slope top styles and in single or double (back-to-back) configurations. When properly installed, the top edge of the end panel is exposed, sitting flush with the finished locker top. All necessary hardware included.

Mesh Doors

Standard locker doors are machined with cross-hatch pattern to provide ventilation for locker contents. Not available with logos or built-in locks.

Built-In Key Lock

Standard hasp is replaced with Master Lock key lock. All locks are master keyed and include two user keys for each lock. Key can only be removed from lock in locked position. Master keys ordered separately. Not available with mesh doors.

Built-In Combination Lock

Standard hasp is replaced with Master Lock combination lock. All locks are keyed to one master key (included) and come pre-programmed with five separate combinations. Master keys ordered separately. Not available with mesh doors.

Multi-User Mechanical Lock

Standard hasp is replaced with Master Lock Model #3670. Three-digit combination is set by the user to lock and unlock the door. Retains current combination until reset. Supervisory Key ordered separately.

Water Resistant Digital Combination Lock (DCL)

Standard hasp is replaced with Lowe & Fletcher DCL. Water resistant keypad lock uses 4-digit pin as user code to lock and unlock locker doors. Code is changed with every use. 2mm Allen wrench and master keys ordered separately.

Combination Padlock

Master Lock #1525 combination padlock fits into standard hasp. Double reinforced construction with stainless steel outer case and cold-rolled steel inner case adds strength and durability. Nickel-plated hardened steel shackle resists rust.

Cutout Only Option

Most lock types currently offered have a cutout only option which allows the locks to be purchased by others. Doors will be prepped for lock selected.

Wall Hooks

Constructed of black powder-coated cast zinc. 1–3 hooks can be secured to each tier with this option. (Please specify location.)

Coat Rod

Constructed of schedule 40 PVC-1120. Rod is mounted with plastic pole sockets and stainless steel screws. Available in lockers 18" deep and larger.

Fillers - Model LENOXFILLER

Constructed of ½" thick HDPE secured to ¾" thick HDPE angle bracket. Filler is attached through the inside of an end or corner locker to fill gaps between lockers and a wall or another locker in a corner. Available in colors to match lockers 60" or 72" tall, and 3", 6", 12", 15" and 18" wide. All necessary hardware included.

Logos

Handicap or a custom logo is machined into the locker door. Custom logo artwork must be provided to Bradley in one of the following formats "DXF", "DWG", "IGES" or "SAT". Font and the size of the logo are also needed. Handicap logos are available in standard hasp only. Base height required when selecting handicap logo.

© 2024 Bradley

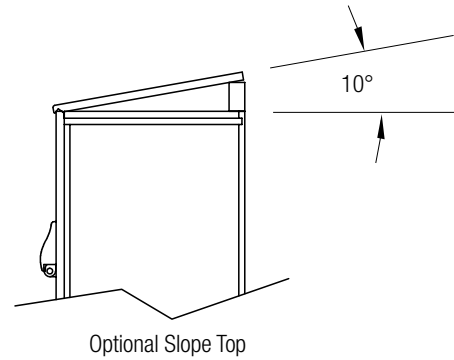
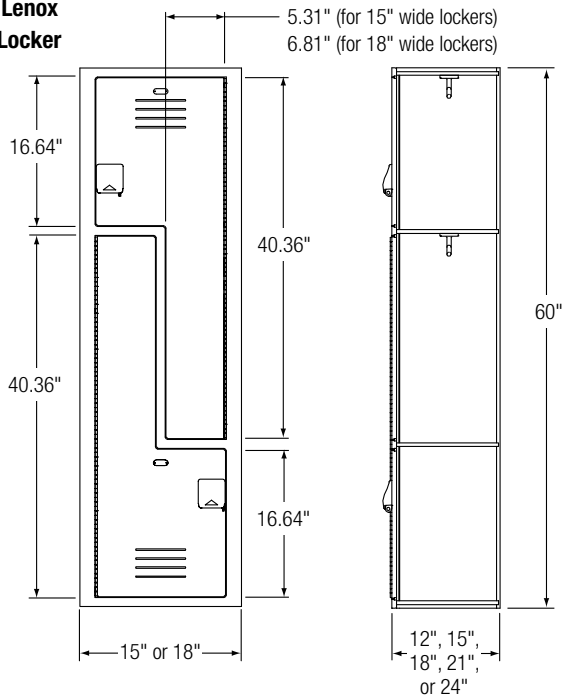


A WATTS Brand

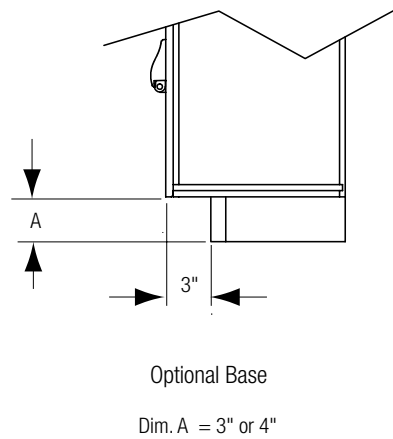
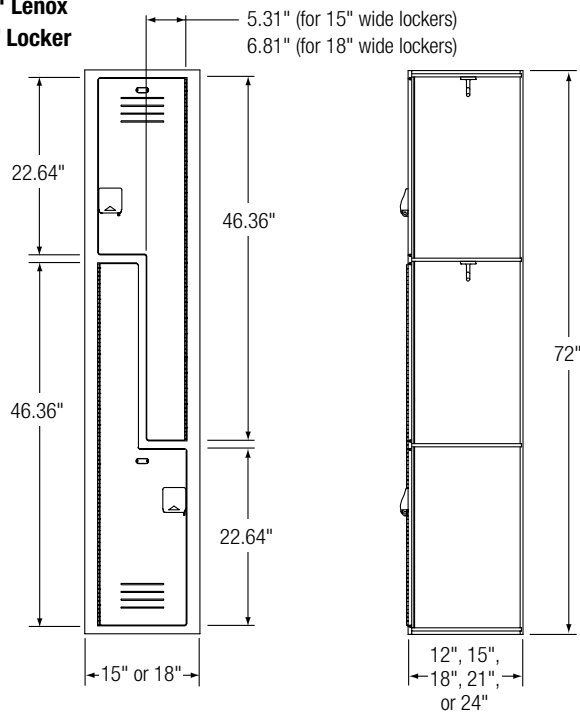
LENOXZLOCKER

Lenox "Z" Locker - Solid Plastic

60" Lenox "Z" Locker



72" Lenox "Z" Locker



Front View

Side View
(showing inside of locker)



A WATTS Brand

LENOXZLOCKER

Lenox "Z" Locker - Solid Plastic

Please see Optional Selections Tech Data for additional ordering information.

Model	Description
LENOXZLOCKER	Solid Plastic Locker
Required Selections (Must select one from each category)	
Locker Width (select one):	
15	15" Wide Locker
18	18" Wide Locker
Locker Depth (select one):	
12	12" Deep Locker
15	15" Deep Locker
18	18" Deep Locker
21	21" Deep Locker
24	24" Deep Locker
Locker Height (select one):	
60	60" High Locker
72	72" High Locker
Locker Tiers (select one):	
Z	"Z" Tier Locker
Locker Color¹ (select one):	
BEIGE	LINEN
BURGUNDY	STARRY-NIGHT¹
CANYON-GRANITE	TOFFEE
CHARCOAL-GRAY	PC-BLACK 100% Post-Consumer Recycled Black ²
DEEP-BLUE	PC-CHARCOALGRAY 100% Post-Consumer Recycled Charcoal Gray ²
DESERT-STONE	
DOVE-STONE¹	PC-TOFFEE 100% Post-Consumer Recycled Toffee ²
GRAY	RECYCLED-BLACK 100% Pre-Consumer Black ³
Locker Door (select one):	
STD	Standard Door — Louvered Vented
MESH	Vented Mesh Door

Optional Selections	
Locker Lock Type:	
STD-HASP	Standard Hasp Lock
KEY	Built-in Key Lock
COMB	Built-in Combination Lock
MULT	Multi-User Mechanical Lock
DCL	Digital Combination Lock
PADLOCK	Combination Padlock
CUT-OUT-KEY	Key Lock (Cutout Only)
CUT-OUT-COMBI	Combination Lock (Cutout Only)
CUT-OUT-MULT	Multi-User Lock (Cutout Only)
CUT-OUT-DCL	DCL Lock (Cutout Only)
CUT-OUT-COIN	Coin Lock (Cutout Only)
CUT-OUT-DIGI	Digilock Cue 5 NLQK-ST52-619-01P1 (Cutout Only)
Locker Logos:	
NONE	No Logo
HANDICAP	Handicap Logo Base Height _____ (Required when selecting Handicap Logo) Existing base height up to 24"H, 1/4" increments.
CUSTOM	Custom Logo: Description _____
Locker Wall Hooks:	
NONE	No Wall Hooks
1	Single Wall Hook (1) Per Tier Specify Location(s) _____
2	Single Wall Hook (2) Per Tier Specify Location(s) _____
3	Single Wall Hook (3) Per Tier Specify Location(s) _____
Locker Coat Rod:	
COATROD	Optional Coat Rod (18"D, 21"D, or 24"D lockers only)
NONE	No Coat Rod

¹ Dove Stone locker will have white hinge and handle. Starry Night locker will have black hinge and handle.

² 100% Post-Consumer HDPE may have some minor flaws and the color may be inconsistent.

³ Pre-Consumer Black color selection includes black box.
Only limited sizes in 72" H are available:

- 12"W x 12"D x 72"H
- 12"W x 15"D x 72"H
- 15"W x 12"D x 72"H



A WATTS Brand

LENOXZLOCKER

Lenox "Z" Locker - Solid Plastic

Enter LENOXNUMBERS as a separate line item.

Model	Description
LENOXNUMBERS	Locker Replacement Number Plates

Required Selections (Must select one from each category)

Number Type (select one):

NUMBERS	Etched Numbers/Letters
BLANK	No Etched Numbers/Letters

Number Sets (select one):

1	Set Qty: _____	Number Qty: _____	Series: _____
2	Set Qty: _____	Number Qty: _____	Series: _____
3	Set Qty: _____	Number Qty: _____	Series: _____
4	Set Qty: _____	Number Qty: _____	Series: _____
5	Set Qty: _____	Number Qty: _____	Series: _____