



A WATTS Brand

5102, 5104 Toilet Tissue Dispenser

**Model 5102 — Heavy Gauge Stainless Steel,
Bright Finish**

**Model 5104 — Heavy Gauge Stainless Steel, Satin
Finish *BradEX*[®]**

- Recessed
- Non-Controlled Delivery
- Single Roll

Product Materials

HOUSING: See check boxes and model descriptions above.

BRACKETS: See check boxes and model descriptions above.

SPINDLE: Chrome-plated plastic.

Capacity

One standard core toilet tissue roll through 5" in diameter.

Operation

Concealed spring permits spindle to telescope for servicing. Spindle turns freely for non-controlled delivery.

Installation

Verify all rough-in dimensions prior to installation. Requires rough wall opening per chart on right column. Secure to framing with mounting screws (included) at holes provided.

ADA Compliant

- Consult local and national accessibility codes for proper installation guidelines.
- Conformity and compliance to local and national codes is the responsibility of the installer.



Guide Specification

Model 5102: Recessed single roll tissue dispenser shall be heavy-gauge stainless steel with a bright finish. Projecting brackets shall be heavy-gauge stainless steel and hold one standard core toilet tissue roll.

Model 5104: Recessed single roll tissue dispenser shall be heavy-gauge stainless steel with a satin finish. Projecting brackets shall be heavy-gauge stainless steel and hold one standard core toilet tissue roll.

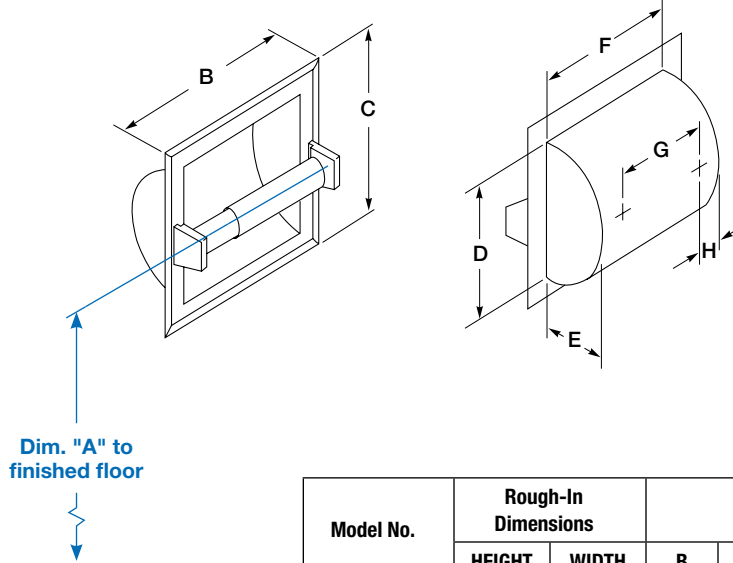


A WATTS Brand

5102, 5104 Toilet Tissue Dispenser

Dimensions

Dimensions on US models may differ slightly from standard models, however this will not affect installation.



Model No.	Rough-In Dimensions		Unit Dimensions - inches (mm)						
	HEIGHT	WIDTH	B	C	D	E	F	G	H
5102, 5104	5¼"	5¼"	6⅜" (162)	6⅜" (162)	5" (127)	<1-7/8" (48)	5" (127)	3¾" (95)	⅝" (16)

Dim. "A" Key Surface:	For Dim. "A" (mm)	Top of Rough Wall Opening (mm)	Bottom of Rough Wall Opening (mm)
Centerline of spindle to finished floor (bottom edge of paper roll 3" be- low centerline of spindle)	23" (584)	25½" (648)	20¼" (514)
	22" (559)	24½" (622)	19¼" (489)
	21" (533)	23½" (597)	18¼" (464)
	20" (508)	22½" (572)	17¼" (438)
	19" (483)	21½" (546)	16¼" (413)
	18" (457)	20½" (521)	15¼" (387)
Rough wall opening:			
Recessed: 5¼" (134mm) Wide x 5¼" (134mm) High x 2" (51mm) Deep			