



A WATTS Brand

5106, 5107 Toilet Tissue Dispenser

Model 5106 – Bright Polished Finish **BradEX**® Model 5107 – Satin Finish

- Surface-Mounted
- Hinged Hood
- Non-controlled delivery
- Single Roll (For Dual Roll see Model 5126)

Product Materials

Housing and Hood: Bright polished stainless steel (5106) or satin stainless steel (5107).

Spindle: Chrome-plated plastic. Toilet tissue roll not included.

Capacity

One standard core toilet tissue roll through 5½" in diameter.

Operation

Concealed spring permits spindle to telescope for servicing. Spindle turns freely for non-controlled delivery. Hinged hood prevents unintentional unraveling while keeping top tissue surface clean. Hinged hood is not removable.

Installation

Verify all rough-in dimensions prior to installation. Secure to wall with mounting screws (included) at holes provided.

Guide Specifications

Surface-mounted roll toilet tissue dispenser with hinged hood shall be bright polished stainless steel and hold one standard core toilet tissue roll (not included).

Overall dimensions: 6-3/8"W x 6-3/8"H.

Product Compliance

Complies with

- ICC ANSI A117.1



- Consult local and national accessibility codes for proper installation guidelines.
- Conformity and compliance to local and national codes is the responsibility of the installer.



Orders composed of products indicated as **BradEX**® will be available to ship in three days after receipt of order at the factory. There is no pricing penalty for this service from Bradley.

Page 1 of 2

1/31/2024

[View Latest Version](#)

This information is subject to change without notice.

Bradley_TPDispenser_5106_5107

© 2024 Bradley
P.O. Box 309, Menomonee Falls, WI 53052-0309
800 BRADLEY (800 272 3539) +1 262 251 6000
bradleycorp.com

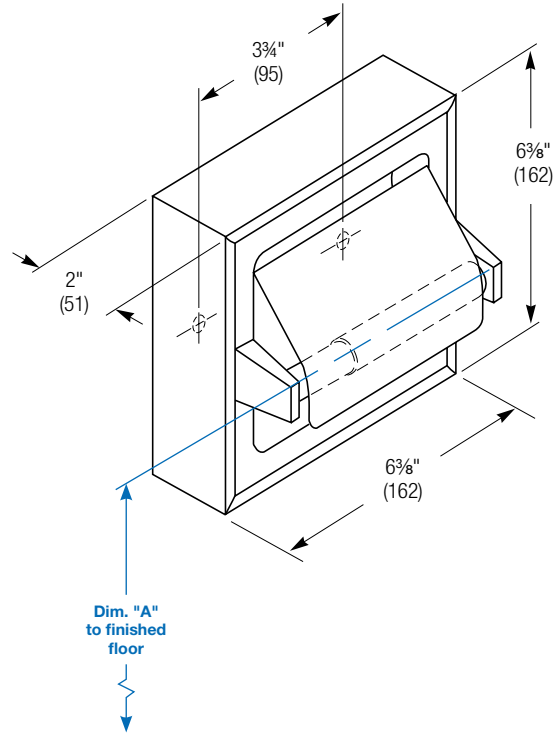


A WATTS Brand

5106, 5107 Toilet Tissue Dispenser

Dimensions

(mm)



Dim. "A" Key Surface:	For Dim. "A"	Top of Unit	Bottom of Unit
Centerline of spindle to finished floor (bottom edge of paper roll 3" below centerline of spindle)	23" (584)	26" (660)	19 ⁵ / ₈ " (498)
	22" (559)	25" (635)	18 ⁵ / ₈ " (473)
	21" (533)	24" (610)	17 ⁵ / ₈ " (448)
	20" (508)	23" (584)	16 ⁵ / ₈ " (422)
	19" (483)	22" (559)	15 ⁵ / ₈ " (397)
	18" (457)	21" (533)	14 ⁵ / ₈ " (371)

Orders composed of products indicated as **BradEX**® will be available to ship in three days after receipt of order at the factory. There is no pricing penalty for this service from Bradley.