



A WATTS Brand

- Exposed Mounting
- Heavy-Duty **Bradex**[®]

Product Materials

ROBE HOOK: forged brass with bright chrome finish.

Installation

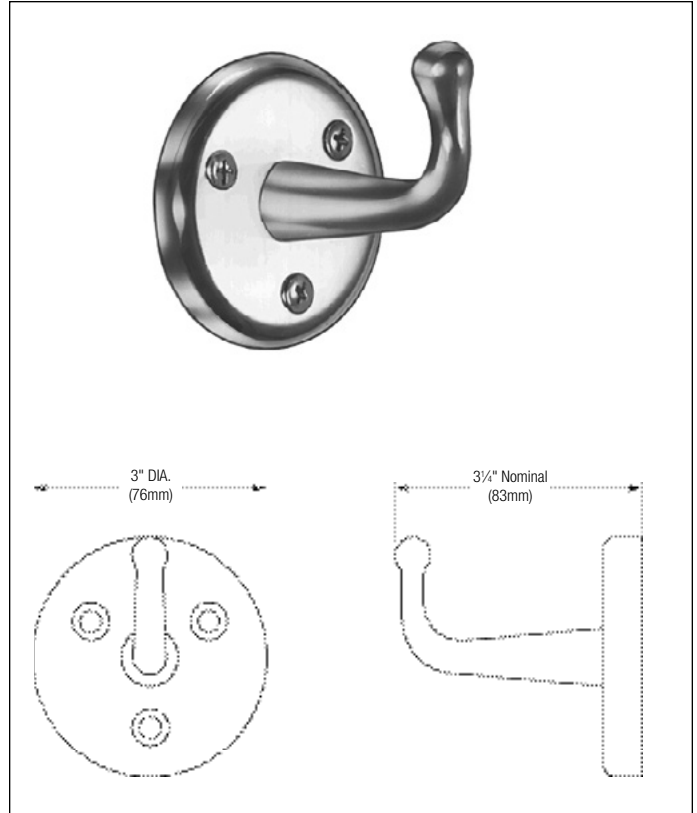
Verify all rough-in dimensions prior to installation. Secure to wall with mounting screws (included) at holes provided.

Optional Features

Feature	Suffix
Satin chrome finish Bradex [®]	-81

Guide Specification

Heavy-duty robe hook to be of chrome plated brass with three mounting holes.



Orders composed of products indicated as **Bradex**[®] will be available to ship in three days after receipt of order at the factory. There is no pricing penalty for this service from Bradley.