



A WATTS Brand

SN2005, SN2008 Sentry™ Circular Shallow Bowl Washfountain

- Available with air, infrared, or TouchTime®
- Available in a 54" or 36" bowl size
- Standard and juvenile height 54" model with infrared, TouchTime pushbutton and piezo, or air (hand) are ADA compliant
- Factory tested and shipped pre-assembled
- Vandal resistant and easy to clean

Specifications

Size and Capacity

Accommodates 5 users (36" models) or 8 users (54" models) at a time, using less water, energy and space than lavs equipped with conventional faucets. The sectional sprayhead module is controlled by a pushbutton, which actuates an air valve (hand or foot control models), or a solenoid valve (TouchTime® models) or by an infrared sensor-actuated solenoid valve. Flow restrictor keeps flow rate constant at any pressure. Operating range is 20-80 psi.

Construction

Bowl and Pedestal

All exposed materials are type 304 stainless steel polished to a #4 finish. Bowl, pedestal, access panels, frame, foot control housing; support tube and sprayhead are heavy gauge stainless steel. Exposed fittings are chrome plated.

Vandal Resistance

Bowl and support tube are an integrally welded assembly, with the support tube welded to extruded flange from bowl. Spray nozzles and pushbuttons/infrared sensors are secured to unit from inside the sprayhead module. Air valves/solenoid valves are safely concealed inside the washfountain. Access panels are removable. All supply and waste connections are concealed within the pedestal, which is secured to the floor with anchor bolts (supplied by others).

Mounting Heights

Sentry washfountains can be installed at standard or juvenile height. Floor-mounted models require mounting height selection. Wall-mounted units are simply installed at the desired height.

Product Compliance

Listed by IAPMO R&T to

- Uniform Plumbing Code (UPC)
- National Plumbing Code of Canada
- International Plumbing Code (IPC)
- IGC 156 and the requirements of ASME A112.19.3/CSA B45.4 and ASME A112.18.1/CSA B125.1



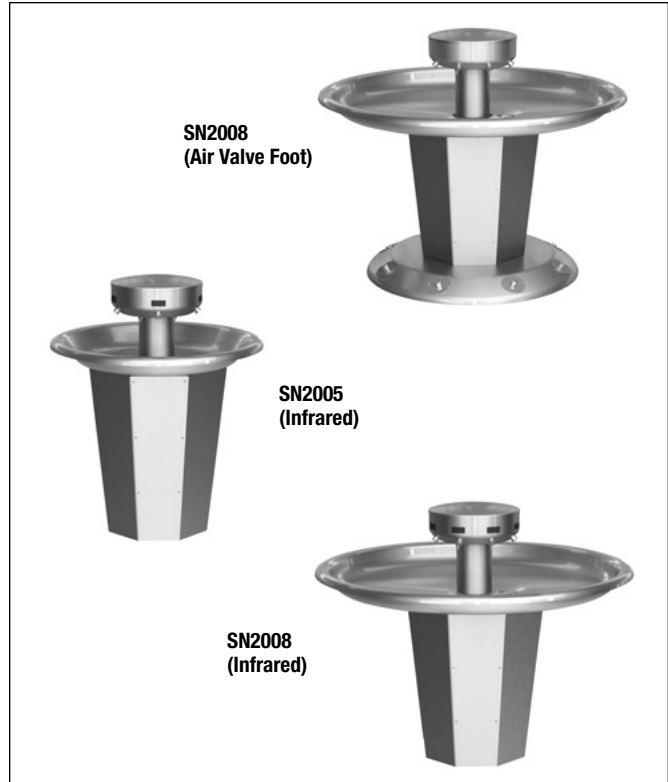
Complies with

- ADA
- TAS
- ICC/ANSI 117.1 (54" STD & JUV height w/air metering hand, TouchTime, or infrared activation)



Listed by NSF International to

- NSF/ANSI 372



Activation Types

Air - Hand Activation

Each pushbutton pneumatically actuates a non-hold-open, air metering, single-temperature valve with field adjustable timing from 0–45 seconds. Factory preset at 11 seconds. Each pushbutton activates one valve which, in turn, activates one station at a rate of 0.10 gpc (0.38 Lpc). Pushbutton requires less than five pounds of pressure.

Air - Hold-Open Foot Activation

Each pushbutton pneumatically actuates a hold-open air single temperature valve with slow closing upon release of foot pressure. Each pushbutton activates one valve, which in turn, activates on station at a rate of 0.50 gpm (1.9 Lpm). Pushbutton requires less than five pounds of pressure.

Infrared

Each of the stream formers is controlled by a separate slow-closing solenoid valve. Hands placed within the bowl are detected by an infrared sensor module, which activates a flow of tempered water from one spray nozzle at a rate of 0.50 gpm (1.9 Lpm). Shut-off is automatic after hands are removed from the detection area. The infrared sensor module uses two zone-focused infrared transmitting beams, having a detection area that does not exceed the bowl perimeter. The detection range projects 6–9 inches forward at a 30° angle to each side and reaches 15° below horizontal. The infrared sensor is not affected by varying color tones or darkness. Direct sunlight or bright washroom lights will not activate the system. Infrared models also include solenoid valves and a low voltage transform as standard equipment:

- Solenoid – 12VDC, 3/8" tube fitting. Few moving parts, and resistant to most chemicals, minerals, and impurities often present in municipal water supplies.
- Low-Voltage Plug-In Adapter – UL/CSA-listed 120VAC/12VDC plug-in adapter designed to plug into a standard GFCI protected electrical outlet. Location of plug-in adapter per local electrical code.



A WATTS Brand

SN2005, SN2008 Sentry™ Circular Shallow Bowl Washfountain

TouchTime®

Each low-voltage pushbutton or piezo switch actuates a non-hold-open, slow-closing, anti-hammer solenoid valve that is timed from an electronic potted assembly. Each pushbutton activates one valve which, in turn, activates one station flowing tempered water at a rate of 0.10 gpc (0.38 Lpc). TouchTime controls water flow at each station through the use of solid state, digital circuitry. Timing is factory set at a 11 second run time, but is field adjustable to pre-set time out periods and optional auto-flush function. The 24 hour flush function will activate water flow for a period of 60 seconds any time there has been no activation within the past 24 hours. Pushbutton requires less than five pounds of pressure.

Standard Equipment

Valves and Fittings

In addition to the bowl and pedestal, the following valves and fittings are standard: Navigator® thermostatic mixing valve, flexible stainless steel supply hoses and stop valves. Stop valves are 1/2" compression female.

Models (Must select one)

Model	Size	Stations	Description
SN2005	36"	5	Floor-Mounted
SN2008	54"	8	Floor-Mounted*

Standard Selections (Must select one from each category)

Drain Type (select one)

A	Off-line vent with supplies from below	H	Centrally rising vent with supplies from below
B	Centrally rising vent with supplies from above	O	Off-line vent with supplies from above

Mounting Height Type (select one)

STD	Standard Pedestal Height	JUV	Juvenile Pedestal Height
------------	--------------------------	------------	--------------------------

Activation Type (select one)

AST4	Air - Hand Activation	TTPA	TouchTime Pushbutton
AST4-F	Air - Hold Open Foot Activation	TTPB	TouchTime Piezo Switch
IRP	Infrared		

Soap Dispenser Type (select one)

LSD	Four Integral Liquid Soap Dispensers
NSD	No Soap Dispenser

Water Supply Type (select one)

TMA	Thermostatic Mixing Valve	TL	Tempered Line Supply
NONE	No Water Supply		

Optional Selections

Towel Dispenser Type

CFTD	(3) C-Fold, Multi-Fold Dispenser
NONE	No Towel Dispenser

Shroud Type†

SH	Stainless Steel Shroud (conceals overhead plumbing) Floor to ceiling height _____ ft. _____ in.
NONE	No Shroud

NOTE: Floor to ceiling height is required; maximum height of 13 ft. 0 in. A height greater than the maximum height will be considered a special order.

* These models are ADA/TAS Compliant when mounted at standard or juvenile height dimensions with infrared, TouchTime push button, TouchTime peizo or air (hand)activation.

† Shroud is recommended for drain type B, H, and O to conceal vent and/or supplies.



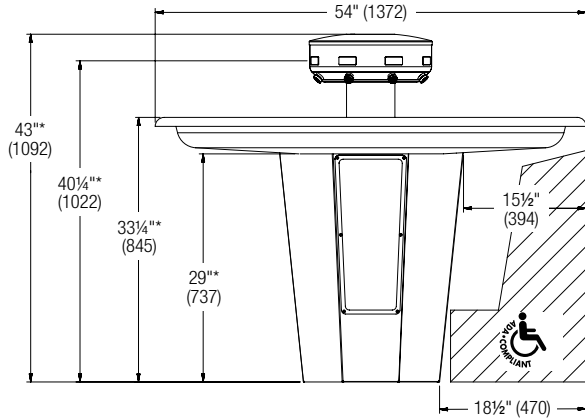
A WATTS Brand

SN2005, SN2008

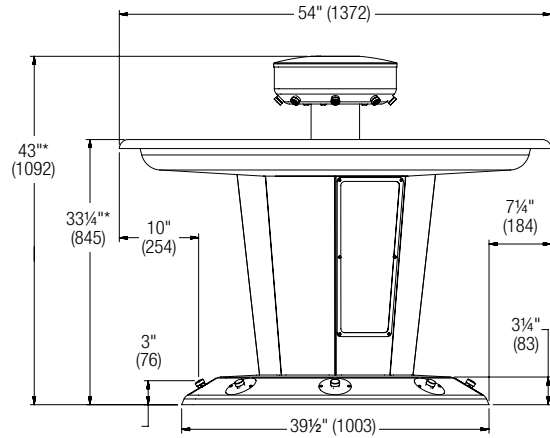
Sentry™ Circular Shallow Bowl Washfountain

Dimensions - Sentry™ 54" Circular Washfountain

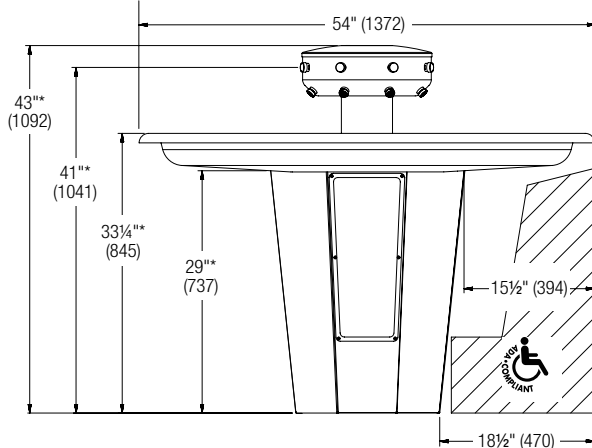
Infrared Activation



Air Valve - Hold Open Foot Activation



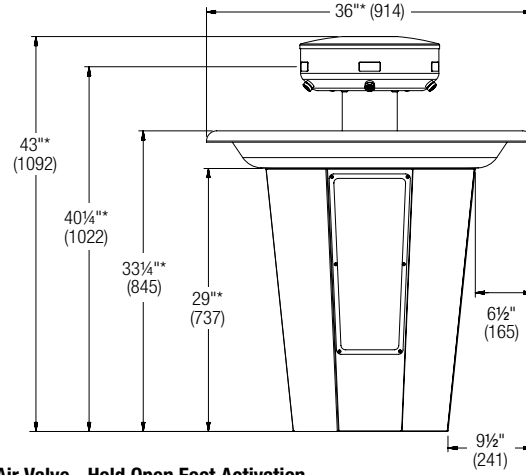
Hand Activation (AST4 and TouchTime)



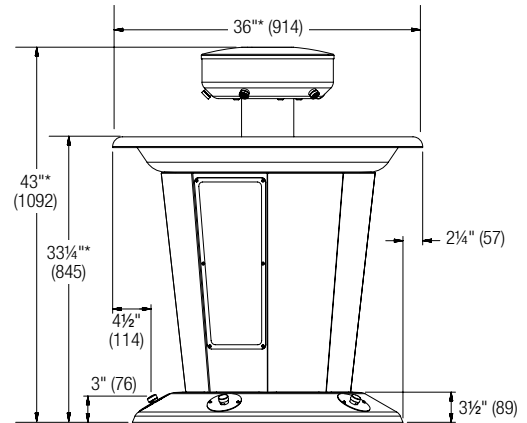
Standard or Juvenile height 54" models with infrared, TouchTime, or air metering hand activation are ADA/TAS compliant.

Dimensions - Sentry™ 36" Circular Washfountain (mm)

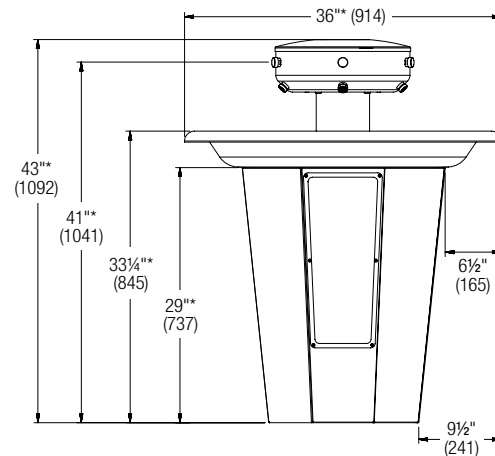
Infrared Activation



Air Valve - Hold Open Foot Activation



Hand Activation (AST4 and TouchTime)



* Subtract 4" (102) from this dimension for juvenile height.



A WATTS Brand

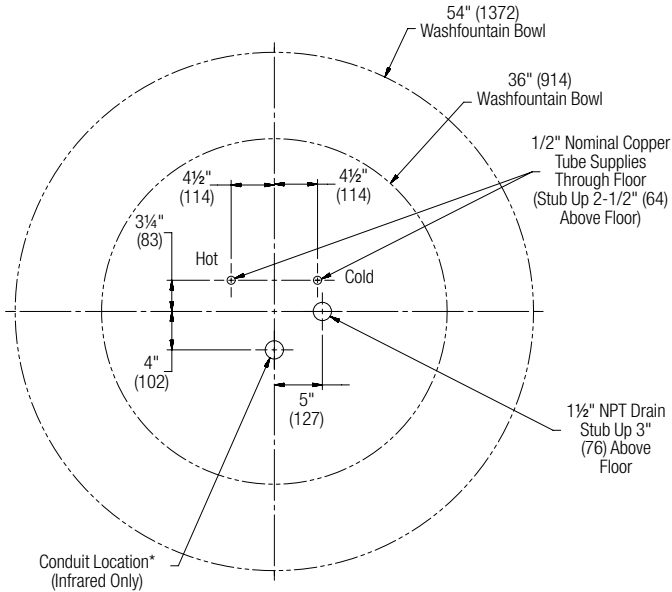
SN2005, SN2008 Sentry™ Circular Shallow Bowl Washfountain

(mm)

Rough-In Dimensions for Drain and Supplies

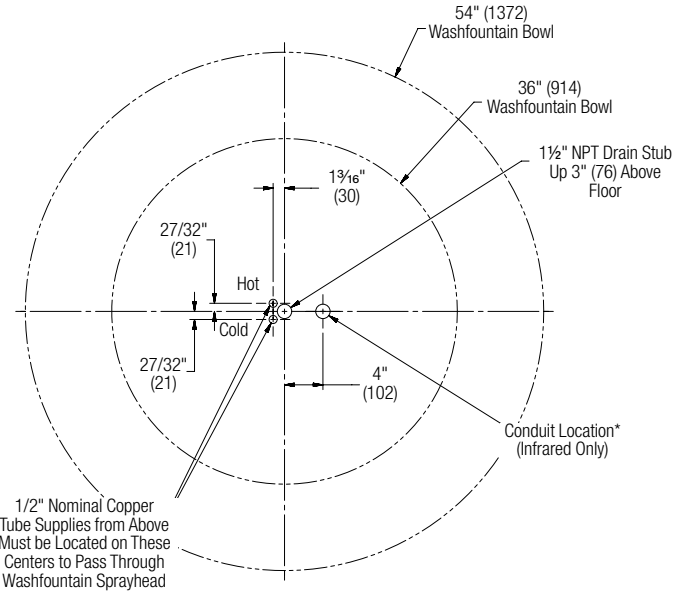
Type A

- Off-line vent with supplies from below



Type B

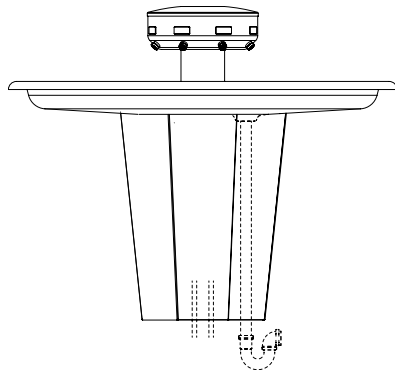
- Centrally rising vent with supplies from above



* Remote mounting of transformers with 120VAC/12VDC electrical supply to washfountain is recommended. See local electrical codes before roughing in. (This conduit location is only a recommendation.)

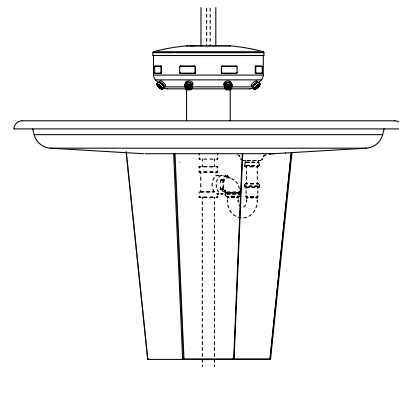
Type A Drain

- Supplies below
- Off-drain vent
- P-Trap furnished by others



Type B Drain

- Supplies above
- Centrally-rising vent
- P-Trap furnished



Rough-In Notes

1. Rough-in dimensions for this model accommodate standard height and juvenile height pedestals.
2. Maximum flow rate required to washfountain is 2.5 gpm for Model SN2005 and 4.0 gpm for Model SN2008. Size supply lines accordingly.
3. Unit with "A" drain and paper towel dispensers and/or a shroud should use "H" drain Rough-Ins.



A WATTS Brand

SN2005, SN2008 Sentry™ Circular Shallow Bowl Washfountain

(mm)

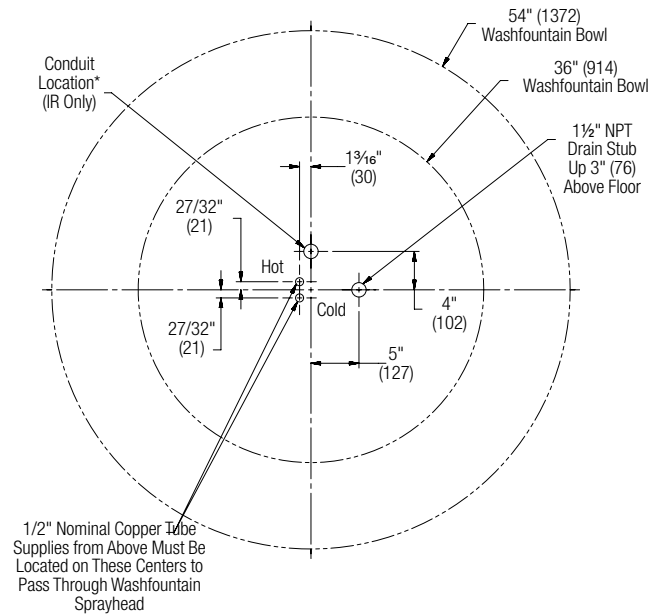
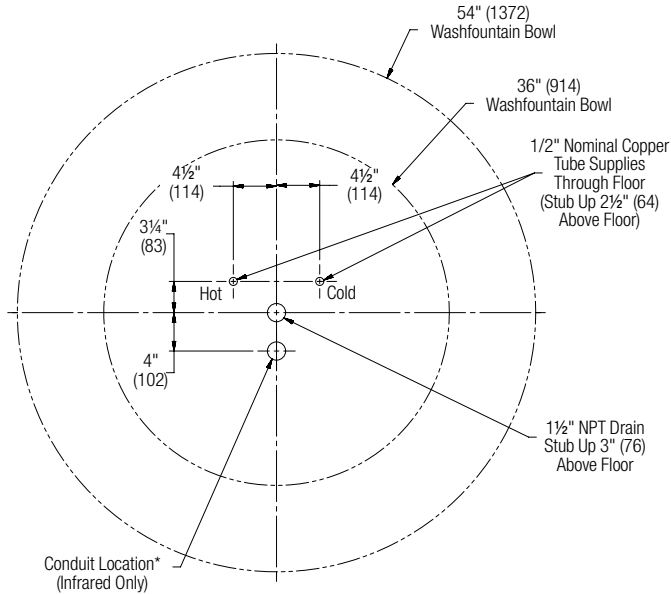
Rough-In Dimensions for Drain and Supplies

Type H Drain

– Centrally rising vent with supplies from below

Type O Drain

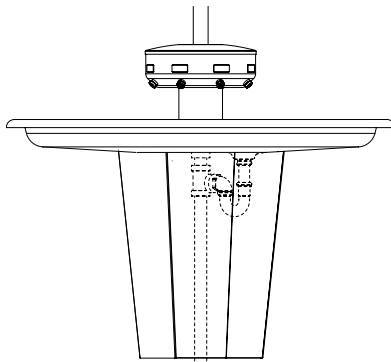
– Off-line vent with supplies from above



* Remote mounting of transformers with 120VAC/12VDC electrical supply to washfountain is recommended. See local electrical codes before roughing in. (This conduit location is only a recommendation.)

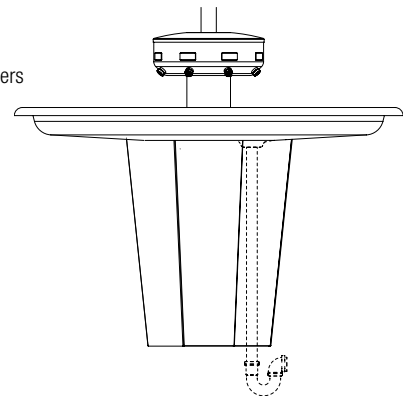
Type H Drain

– Supplies below
– Centrally-rising vent
– P-Trap furnished



Type O Drain

– Supplies above
– Off-drain vent
– P-Trap furnished by others



Rough-In Notes

1. Rough-In dimensions for this model accommodate standard height and juvenile height pedestals.
2. Maximum flow rate required to washfountain is 2.5 gpm for Model SN2005 or 4.0 gpm for Model SN2008. Size supply lines accordingly.
3. Unit with "O" drain and paper towel dispensers and/or a shroud should use "B" drain Rough-Ins.