



LC700 Patient Care Unit, 40½", Pivot Water Closet

- Combination Lavatory Water Closet Module
- Waste Outlet—Wall or Floor Discharge
- Stainless Steel Toilet & Base
- Durable O-Ring Construction
- Meets Low Flow Flushing Requirements
- Stainless Steel Toe Kicks

Specifications—Standard Equipment

Cabinet

Frame is stainless steel and requires floor anchoring. Cabinet exterior is ¾" plywood with laminate finish in Wilsonart #1531-60 Light Beige. Interior finishes are laminate and satin finish stainless steel. Doors have rounded corners for greater patient safety, and will support a 250 lb. static load via full length stainless steel piano hinges. Toilet tissue holder is conveniently located inside the cabinet door.

Countertop

Standard finish for MDF/laminate countertop is Wilsonart #4633 Natural Nebula. Other countertop selections include other laminates, stainless steel, Terreon®, a densified solid surface material composed of bio-based resin or Terreon®RE, a densified solid surface material composed of a bio-based resin and preconsumer recycled granules. Terreon and TerreonRE are resistant to chemicals, stains, burns and impact. Surface damage can be easily repaired with everyday cleansers or fine grit abrasives. Terreon and TerreonRE are certified by Home Innovation Lab to meet CSA B45.5/IAPMO Z124. Terreon and TerreonRE are GREENGUARD® certified as low-emitting materials.

Bowl

14 gauge stainless steel bowl with factory-installed caulking available with laminate or stainless steel countertop. Measures 14½" x 9½" x 5" deep. Optional Terreon countertop features an integral 16¾" x 9½" x 8" deep double sten bowl with IV drip ledge. Furnished with 10" rigid gooseneck, deck-mounted cold faucet with 4" wristblade handles. Optional valve selections include foot pedal or infrared faucet. Traps and stops complying with local codes to be furnished by plumbing contractor.

Toilet

Toilet and support assembly are constructed of heavy gauge stainless steel. Siphon jet type toilet has an elongated bowl, integral flushing and remote-actuated hydraulic flushing system with push button, and a white seat with self-sustaining hinge. Toilet pivots into room and locks in position when cabinet door is open. 25 PSI minimum is required. Flushing trap has a 3½" seat that will pass a 2½" diameter ball and is fully enclosed. Toilet is anchored to floor and will support a 2,500 lb. static load. One gallon per flush (low flow) toilet is standard. Toilet assembly meets ASME A12.19.2.

1.6 gpf is not available for use in California. California Energy Commission 20 CCR Title 24, Div. 2, 1601-1609.

Check Your Surroundings

Certain factors, such as intense direct sunlight, other infrared devices, or other site conditions may interfere with the activation of infrared faucets. Contact your local Bradley representative to discuss application concerns.

Protected by the following U.S. Patent: 6,986,171

Verify all rough-in dimensions prior to installation.

Consult local and national codes. Conformity and compliance to local and national codes is the responsibility of the installer.

Page 1 of 4 10/29/2018

This information is subject to change without notice.

Bradley_PatientCare_LC700



NOTE: LC700 with optional wristblade faucet (left-hand configuration shown).

Standard product selections contained within this document are third party **CERTIFIED** to NSF/ANSI 372 meeting the Lead-Free content requirement. Any product configured with custom options will be **COMPLIANT** with NSF/ANSI 372 meeting the Lead-Free content requirement.

Office of Statewide Health Planning and Development ANCHORAGE PRE-APPROVAL

Equipment Type: LavCare 700 & 750 Series Patient Care Module



Certified to NSF/ANSI 372



© 2018 Bradley

P.O. Box 309, Menomonee Falls, WI 53052-0309

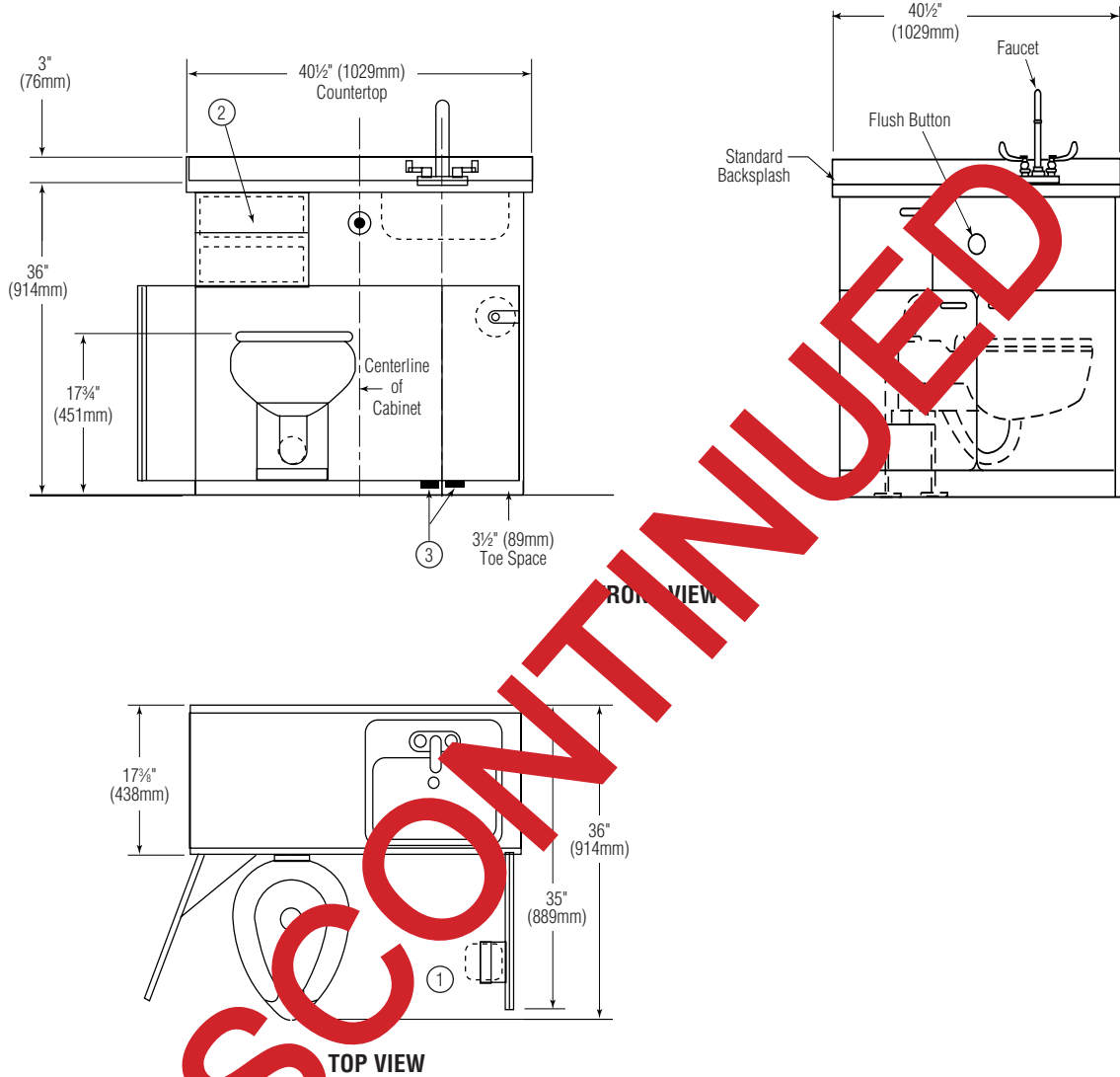
800 BRADLEY (800 272 3539) +1 262 251 6000

bradleycorp.com



LC700 Patient Care Unit, 40½", Pivot Water Closet

LEFT-HAND VERSION



ITEMS:

1. Toilet tissue holder
2. Storage compartment with removable shelf large enough for (2) bed pans.
3. Location of flush pedals as specified for use with deck mounted goose neck faucet.

Bradley Corporation reserves the right to make changes in design and material without formal notice, and without incurring obligation.

Verify all rough-in dimensions prior to installation.

Consult local and national codes. Conformity and compliance to local and national codes is the responsibility of the installer.

Page 2 of 4

10/29/2018

This information is subject to change without notice.

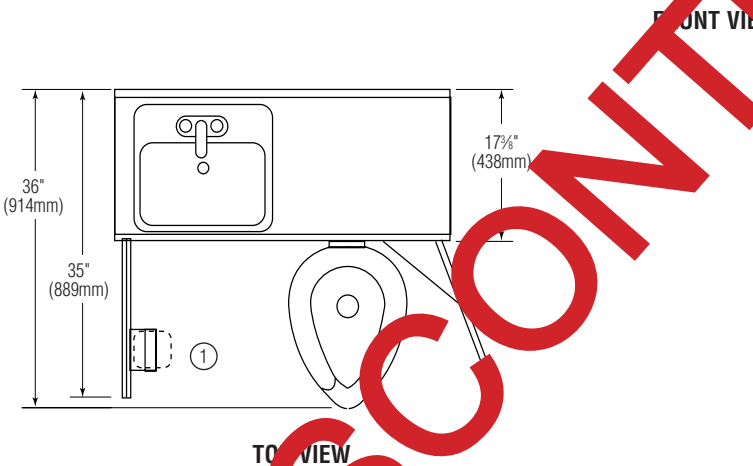
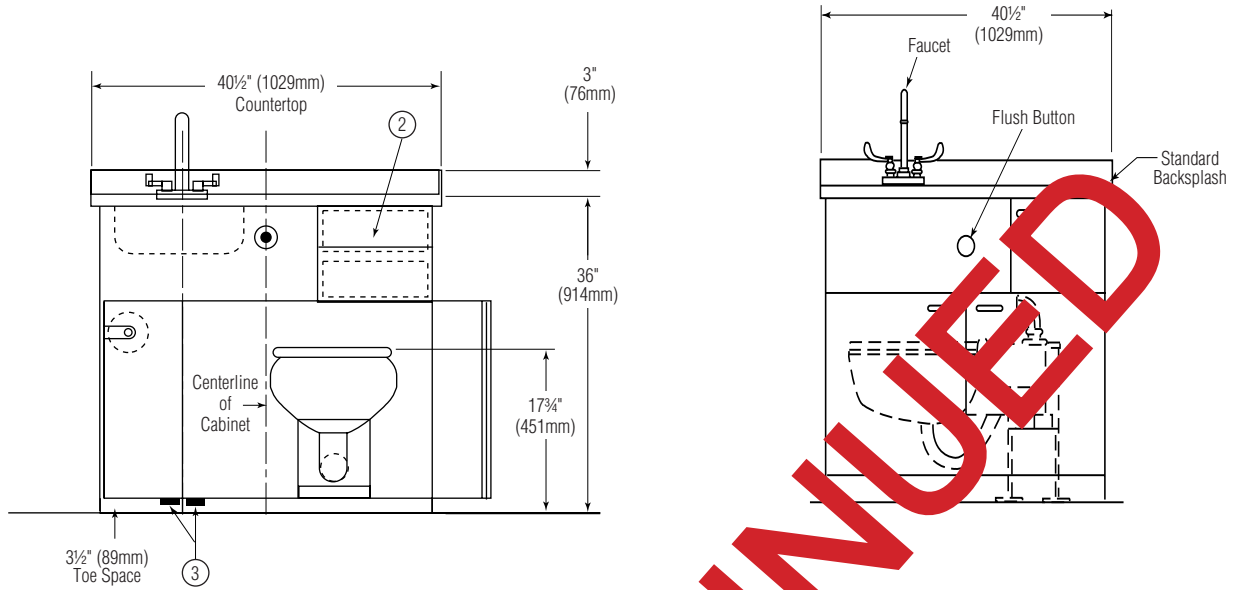
Bradley_PatientCare_LC700

© 2018 Bradley
 P.O. Box 309, Menomonee Falls, WI 53052-0309
 800 BRADLEY (800 272 3539) +1 262 251 6000
 bradleycorp.com



LC700 Patient Care Unit, 40½", Pivot Water Closet

RIGHT-HAND VERSION



ITEMS:

1. Toilet tissue holder
2. Storage compartment with removable shelf large enough for (2) bed pans.
3. Location of foot pedals will specify for use with deck mounted goose neck faucet.

DISCONTINUED

Bradley Corporation reserves the right to make changes in design and material without formal notice, and without incurring obligation.

Verify all rough-in dimensions prior to installation.

Consult local and national codes. Conformity and compliance to local and national codes is the responsibility of the installer.

Page 3 of 4 10/29/2018

This information is subject to change without notice.

Bradley_PatientCare_LC700

© 2018 Bradley
 P.O. Box 309, Menomonee Falls, WI 53052-0309
 800 BRADLEY (800 272 3539) +1 262 251 6000
 bradleycorp.com

