



A WATTS Brand

7909A, 7909AVB Recessed Hose Box w/ Cold Supply

- Single Temperature Cold Supply
- Sturdy Stainless Steel
- Non-Protruding
- For Non-Freezing Environment

Specifications

Material

Box and wall flange or flange/door assembly are fabricated of 18 gauge type 300 series stainless steel. All exposed stainless steel surfaces are polished to a #4 satin finish. Stop and valve bodies are cast brass. Exposed valve parts are chrome plated.

Construction

All seams are heliarc welded and ground smooth.

Valve

Supply inlet is 1/2" nom. brass female. Outlet is 3/4" male hose thread.

Wall Anchoring

Box is furnished with four stainless steel mounting tabs which provide a secure means for anchoring to the wall.

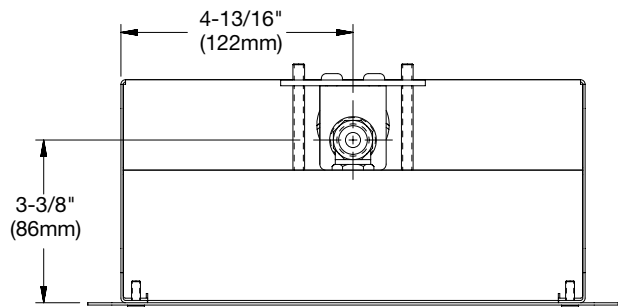
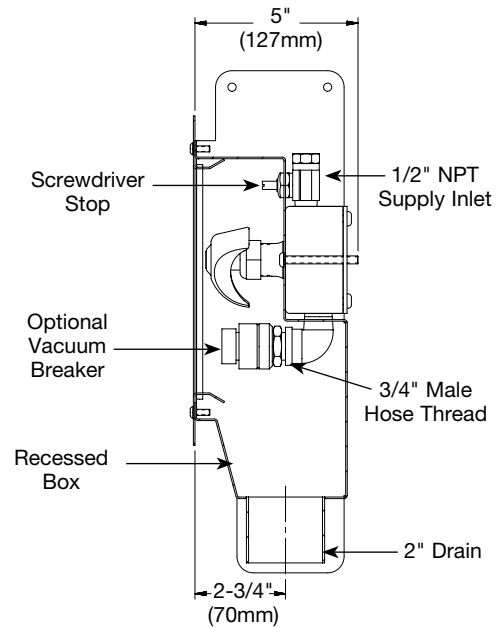
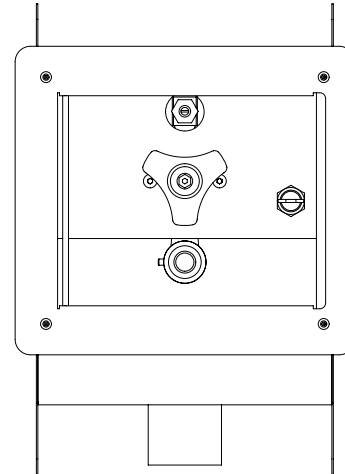
Construction

Recessed hose box with hot and cold screwdriver stop and valve, wall flange or flange/door assembly, and 3/4" hose connection (2" nominal/2-3/8" OD stainless steel drain outlet). Flange/door assembly comes standard with cylinder lock.

Sample Specifications

Recessed hose box w/ single temperature cold supply shall be Bradley Model 7909A or Model 7909AVB w/ vacuum breaker. Non-protruding hose box with cold supplies (drain connection by others) shall be used in a non-freezing environment and shall include the following standard equipment.

- hot and cold screwdriver stops and valves
- wall flange or flange/door assembly
- 3/4" hose connections



Models (Must select one)	
Model	Description
7909A (less door)	Recessed Hose Box w/Cold Supply (S91-069)
7909A (with door)	Recessed Hose Box w/Cold Supply (S91-067)
7909AVB (less door)	Recessed Hose Box w/Cold Supply and Vacuum Breaker (S91-070)
7909AVB (with door)	Recessed Hose Box w/Cold Supply and Vacuum Breaker (S91-068)