



A WATTS Brand

WS-2WMD, WS-3WMT Wall-Saver Showers

- Wide housing multi-station shower
- Completely preassembled
- Ready for connection to plumbing supplies

Specifications

Materials

Shower panel is type 304 stainless steel. All other exposed parts are stainless steel or chrome-plated brass. Valve bodies are brass casting. Supply inlets are copper tubing.

Standard Equipment

Shower Panel

Shower panel, top and bottom covers constructed of 18 gauge stainless steel. Stainless steel soap tray for each station mounted to panel.

Valve Type as Selected

For more information on each valve type, please enter the model number in the search box at www.bradleycorp.com

Showerhead

Standard fixed direction adjustable spray showerhead for each station (S15).

Flow Control

A 1.5 gpm (5.7 Lpm) flow control is standard. Actual flow may vary, but will not exceed 2.0 gpm (7.6 Lpm) max.

Supply Inlets

Constructed of 3/4" type "L" copper tubing. Inlets are accessible through the back of the shower.



WS-3WMT Wall-Saver

Models (Must select one)	
Model Number	Description
WS-2WMD	2-Station Wall-Saver Shower
WS-3WMT	3-Station Wall-Saver Shower

Standard Selections (Must select one from each category)	
Showerhead Height (select one)	
6'-0"	Standard Height
5'-6"	Juvenile Height

Valve Type (select one)	
<i>Hot/Tempered and Cold Supplies</i>	
EF	Equa-Flo Pressure Balancing Valve
HD	Equa-Flo HD Pressure Balancing Valve
TMV	Thermostatic Mixing Valve
<i>Single Tempered/Cold Supply</i>	
AST	Air Pushbutton
SV	Single Compression Valve
TTPA	TouchTime Pushbutton*
TTPB	TouchTime Piezo Switch*

Showerhead Type	
S15	Standard Showerhead (Flow Rate = 1.5 gpm/5.7 Lpm)
SX15	Severe Service Showerhead (Flow Rate = 1.5 gpm/5.7 Lpm)
S20	Standard Showerhead (Flow Rate = 2.0 gpm/7.6 Lpm)
SX20	Severe Service Showerhead (Flow Rate = 2.0 gpm/7.6 Lpm)
SF	Deluxe Showerhead w/ Ball Joint (Flow Rate = 1.5 gpm/5.7 Lpm)
ES	Economy Soft Flow w/ Ball Joint (Flow Rate = 2.0 gpm/7.6 Lpm)
J	Multi-Jet Showerhead w/ Ball Joint (Flow Rate = 1.5 gpm/5.7 Lpm)
LX	Luxury Showerhead w/ Ball Joint (Flow Rate = 1.5 gpm/5.7 Lpm)
B	Axis Showerhead w/ Ball Joint (Flow Rate = 1.5 gpm/5.7 Lpm)

Optional Selections

Volume Control Type† (select one)

AKV	Allen Key Volume Control
LHV	Lever Handle Volume Control
NONE	No Volume Control

Ball Joint Type† (select one)

LBJ	Lockable Ball Joint
NONE	No Ball Joint

Supply Stop Type (included w/ EF, HD and TMV valves) (select one)

ST	Stops in Each Supply
NONE	No Supply Stops

Shroud Type (select one)

SHV	Vertical Shroud (floor to ceiling height _____ ft. _____ in.)
SHH	Horizontal Shroud (per 3' section)
NONE	No Shroud

Hardware Type (select one)

SC	Standard Screws
VS	Vandal Resistant Screws

*TTPA and TTPB valves require a low-voltage UL/CSA listed 120VAC/12VDC plug-in adapter.

† Only available on S15 and S20 showerheads.

Verify all rough-in dimensions prior to installation.

Consult local and national codes: conformity and compliance to local and national codes is the responsibility of the installer.

2.5 GPM showerhead flow rate does not meet California Energy Commission 20 CCR T.20, Div. 2, 1601-1609.



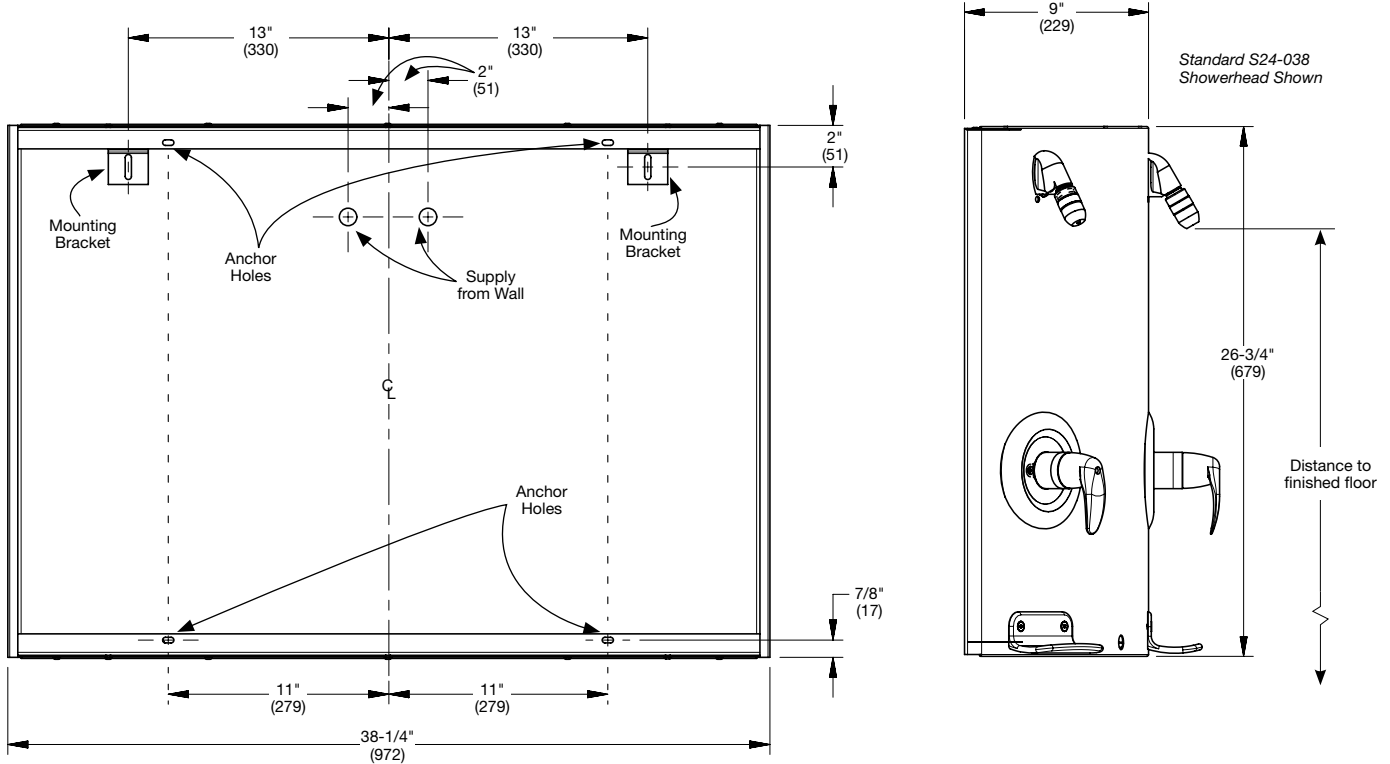
A WATTS Brand

WS-2WMD, WS-3WMT Wall-Saver Showers

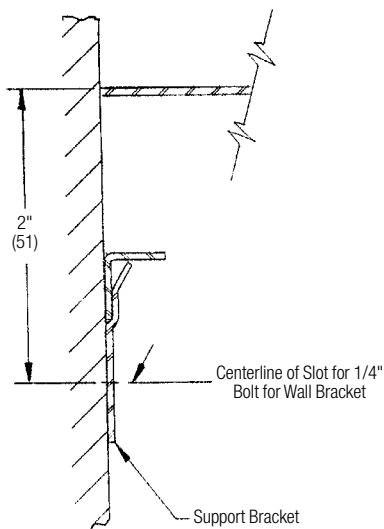
Dimensions

(mm)

WS-3WMT dimensions shown. Dimensions for WS-2WMD are identical but provide only two showers.



Mounting Bracket Detail



Recommended Shower Height (from Showerhead tip to finished floor)

Age	Male	Female
Adult	6'0" (1.83m)	5'6" (1.68m)
Teen	6'0" (1.83m)	5'6" (1.68m)
Pre-Teen	5'6" (1.68m)	5'6" (1.68m)