



A WATTS Brand

- One Set of Supply Connections Required for Six Stations
- Preassembled, Complete with Drain Fitting

### Specifications

#### Materials

All exposed parts are type 304 stainless steel or polished chrome-plated brass. Valve manifold is cast brass. Drain fitting is cast iron and supply inlets are copper tubing.

### Standard Equipment

#### Column Shower

Constructed of type 304 stainless steel. Column and column cap are 16 gauge, and base flange is 13 gauge. Access panel located near bottom of column.

#### Soap Dish

Each station on the column shower is equipped with a stainless steel soap tray.

#### Valve Type as Selected

For more information on each valve type, please visit the Shower Valves product section on [bradleycorp.com](http://bradleycorp.com).

#### Flow Control

A 1.5 GPM (5.7 LPM) flow control is standard. Actual flow may vary, but will not exceed 2.0 GPM (7.6 LPM) max.

#### Drain Fitting

Cast iron with five stainless steel mounting bolts.

#### Supply Inlets

Constructed of 3/4" type "L" copper tubing.

### Optional Privacy Compartments

#### Partitions

Fabricated of 20 gauge 300 series stainless steel sheets polished to a #4 finish. Sandwich type construction with waterproof cores securely bonded between sheets. Partitions are secured to posts with 14 gauge type 300 stainless steel stirrups and stainless steel screws.

#### Posts

Fabricated 18 gauge 1-1/4" square x 80" stainless steel tubing. Post is secured to floor with an expansion anchor and a concealed foot angle which allows plus or minus 1/2" vertical adjustment.

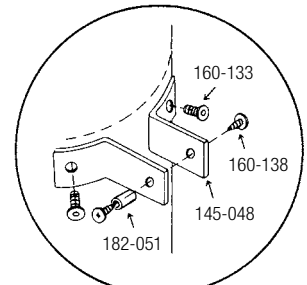
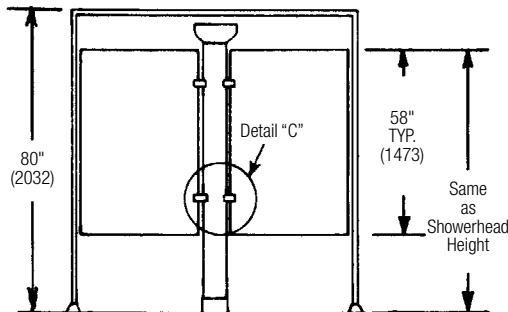
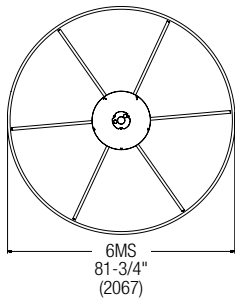
#### Curtains

Curtain rails fabricated of 300 series #4 finish stainless steel cylindrical tubing. Curtain hooks are steel wire with a zinc chromate finish. Curtains are 60" W x 74" H and fabricated of heavy gauge translucent vinyl with hemmed edges and aluminum grommet reinforced eyelets.

#### Hardware

All exposed fasteners are vandal-proof stainless steel. Post shoes are anodized aluminum and finished to match stainless steel.

### 6-Person Multi-Stall Dimensions



(mm)





A WATTS Brand

<b>Model No. (select one)</b> COL-6C 6-Person Column Shower	
<b>Standard Selections</b> (Must select one from each category)	
<b>Drain Type (select one)</b>	
<b>A</b>	Off-line vent with supplies from below
<b>B</b>	Centrally rising vent with supplies from above
<b>H</b>	Centrally rising vent with supplies from below
<b>O</b>	Off-line vent with supplies from above
<b>Showerhead Height (select one)</b>	
6'-0" Standard Height	
5'-6" Juvenile Height	
<b>Valve Type (select one)</b> <i>Hot/Tempered and Cold Supplies</i>	
<b>EF</b>	Equa-Flo Pressure Balancing Valve
<b>HD</b>	Equa-Flo HD Pressure Balancing Valve
<b>TMV</b>	Thermostatic Mixing Valve
<b>HC</b>	Hot and Cold Compression Valve
<i>Single Tempered/Cold Supply</i>	
<b>AST</b>	Air Pushbutton
<b>SV</b>	Single Compression Valve
<b>TTPA</b>	TouchTime Pushbutton*
<b>TTPB</b>	TouchTime Piezo Switch*
<b>Showerhead Type</b>	
<b>S15</b>	Standard Showerhead (Flow Rate = 1.5 GPM/5.7 LPM)
<b>SX15</b>	Severe Service Showerhead (Flow Rate = 1.5 GPM/5.7 LPM)
<b>S20</b>	Standard Showerhead (Flow Rate = 2.0 GPM/7.6 LPM)
<b>SX20</b>	Severe Service Showerhead (Flow Rate = 2.0 GPM/7.6 LPM)
<b>SF</b>	Deluxe Showerhead w/ Ball Joint (Flow Rate = 1.5 GPM/5.7 LPM)
<b>ES</b>	Economy Soft Flow w/ Ball Joint (Flow Rate = 2.0 GPM/7.6 LPM)
<b>J</b>	Multi-Jet Showerhead w/ Ball Joint (Flow Rate = 1.5GPM/5.7 LPM)
<b>LX</b>	Luxury Showerhead w/ Ball Joint (Flow Rate = 1.5GPM/5.7 LPM)
<b>B</b>	Axis Showerhead w/ Ball Joint (Flow Rate = 1.5GPM/5.7 LPM)

**Optional Selections**

**Volume Control Type (select one)†**

- AKV** Allen Key Volume Control
- LHV** Lever Handle Volume Control
- NONE** No Volume Control

**Ball Joint Type (select one)†**

- LBJ** Lockable Ball Joint
- NONE** No Ball Joint

**Supply Stop Type (select one)**

- ST** Stops in Supplies
- NONE** No Supply Stops

**Drain Variant Type (select one)**

- D** Standard Drain
- DG** Dome Grate Drain
- LD** Less Drain

**Ship Drain in Advance (select one)**

- Y** Yes†
- N** No, Ship Drain with Unit
- NONE** Less Column Drain Selected\*\*\*

**Column Drain Slot Type (select one)**

- WS** With Column Drain Slots
- LS** Less Column Drain Slots

**Clamping Ring Type (select one)‡**

- CR** Clamping Ring for Flashing
- NONE** No Clamping Ring for Flashing

**Ship Clamping Ring in Advance (select one)**

- Y** Yes
- N** No, Ship Clamping Ring with Unit
- NONE** No Clamping Ring Selected

**Shroud Type (select one)**

- SH** Telescoping Shroud (floor to ceiling height \_\_\_\_\_ ft. \_\_\_\_\_ in.)
- NONE** No Shroud

**Flange Anchor Type (select one)**

- FAK** Flange Anchor Kit\*\*
- NONE** No Flange Anchor Kit

**Multi-Stall Partition Type (select one)**

- MS** Multi-Stall Partitions - 6 Person Column
- NONE** No Multi-Stall Partitions

**Multi-Stall Curtain Type (select one)**

- CN** Standard Curtain
- HR** Herculite Curtain
- NONE** No Multi-Stall Curtain

**Multi-Stall Roller Hook Type (select one)**

- RH** Roller Hooks
- NONE** No Multi-Stall Roller Hook

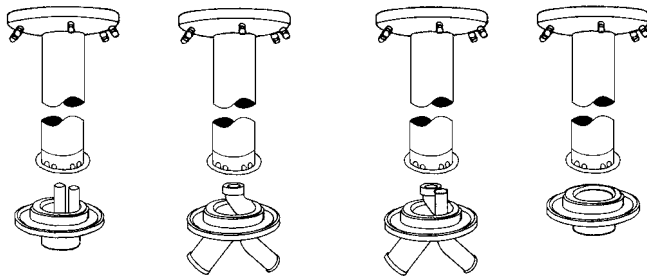
**Multi-Stall Robe Hook Type (select one)**

- BH** Robe Hook
- NONE** No Multi-Stall Robe Hook

**Drain Variations**



See Document No. 5140 for drain rough-ins and column installation instructions.



- TYPE A** Supplies below. Vent off line.
- TYPE B** Supplies above. Vent through column.
- TYPE H** Supplies below. Vent through column.
- TYPE O** Supplies above. Vent off line.

Verify all rough-in dimensions prior to installation.

Consult local and national codes: conformity and compliance to local and national codes is the responsibility of the installer.

2.0 GPM and 2.5 GPM showerhead flow rates do not meet California Energy Commission 20 CCR T.20, Div. 2, 1601-1609

\*TTPA and TTPB valves require a low-voltage UL/CSA listed 120VAC/12VDC plug-in adapter.  
 \*\*Only available with telescoping shroud. Used to mount shroud flange to suspended ceiling.  
 \*\*\*Only available with LD Drain Variant Type.  
 † Only available on S15 and S20 showerheads.  
 ‡ Only available with D or DG Drain Variant Type.  
 § For corner mounted column showers.